

User manual

MANUEL D'UTILISATION
GEBRUIKSAANWIJZING
GEBRAUCHSANWEISUNG
MANUALE DI ISTRUZIONI
MANUAL DE INSTRUCCIONES
INSTRUKCJA OBSŁUGI
NÁVOD K OBSLUZE

Trigo S



EN

Instructions for specialist dealer

This instruction manual is part and parcel of the product and must accompany every product sold.

Version: G, 2024-02

FR

Instructions pour les distributeurs

Ce manuel d'instructions fait partie du produit et doit accompagner chaque produit vendu.

Version : G, 2024-02

NL

Instructies voor de vakhandelaar

Deze handleiding is deel van het product en dient bij iedere product te worden geleverd.

Versie: G, 2024-02

DE

Hinweise für den Fachhändler

Diese Gebrauchsanweisung ist Bestand-teil des Produkts und ist bei jeder Produkts auszuhändigen.

Version: G, 2024-02

IT

Istruzioni per il rivenditore

Il presente Manuale di istruzioni è parte integrante del prodotto e deve essere fornito assieme alla prodotto.

Versione: G, 2024-02

ES

Instrucciones destinadas a los distribuidores especializados

El presente manual de instrucciones es parte integrante del producto y se debe adjuntar a todas las producto que se vendan.

Versión: G, 2024-02

PL

Instrukcje dla wyspecjalizowanego sprzedawcy

Niniejsza instrukcja obsługi jest nieodłączną częścią produktu i musi być dołączona do każdego sprzedawanego produktu.

Wersja: G, 2024-02

CS

Pokyny pro specializovaného prodejce

Tento návod k obsluze je součástí dodávky a musí být součástí každého prodaného produktu.

Verze: G, 2024-02

All rights reserved, including translation.

No part of this manual may be reproduced in any form what so ever (print, photocopy, microfilm or any other process) without written permission of the publisher, or processed, duplicated or distributed by using electronic systems.

Tous droits réservés, y compris la traduction.

Aucune partie de ce manuel ne peut être reproduite, sous quelque forme que ce soit (imprimée, photocopie, microfilm ou tout autre procédé) sans l'autorisation écrite du publicateur, ni traitée, dupliquée ou distribuée à l'aide de systèmes électroniques.

Alle rechten, inclusief vertaling, voorbehouden.

Niets uit deze handleiding mag geheel of gedeeltelijk in enige vorm (druk, fotokopie, microfilm of ieder ander procedé) zonder de schriftelijke toelating van de uitgever worden gereproduceerd of met behulp van elektronische systemen worden verwerkt, gekopieerd of verspreid.

Alle Rechte, auch an der Übersetzung, vorbehalten.

Kein Teil der Gebrauchsanweisung darf in irgendeiner Form (Druck, Fotokopie, Mikrofilm oder einem anderen Verfahren) ohne schriftliche Genehmigung des Herausgebers reproduziert oder unter Verwendung elektronischer Systeme verarbeitet, vervielfältigt oder verbreitet werden.

Tutti i diritti riservati (anche sulla traduzione).

Il presente manuale non può essere riprodotto, neppure parzialmente, con alcun mezzo (stampa, fotocopia, microfilm o altro procedimento) senza l'autorizzazione scritta della casa produttrice, né elaborato, duplicato o distribuito con l'ausilio di sistemi elettronici.

Todos los derechos reservados, incluidos los de la traducción.

Se prohíbe la reproducción total o parcial del presente manual de cualquier forma (impresión, fotocopia, microfilm o cualquier otro procedimiento), así como la edición, copia o distribución empleando sistemas electrónicos, sin el permiso escrito del editor.

Wszelkie prawa zastrzeżone, łącznie z tłumaczeniem.

Żadna część niniejszej instrukcji nie może być powielana w jakiegokolwiek formie (drukowanej, fotokopii, mikrofilmu ani innej) bez pisemnej zgody wydawcy, nie może być również przetwarzana, kopiowana ani rozprowadzana za pomocą systemów elektronicznych.

Všechna práva vyhrazena, včetně překladu.

Šíření jakékoli části tohoto katalogu jakýmkoliv způsobem (tisk, kopie, mikrofilm nebo jiný způsob) bez písemného souhlasu vydavatele, nebo zpracování, duplikace či distribuce prostřednictvím elektronických systémů je zakázáno.

English

Français

Nederlands

Deutsch

Italiano

Español

Polski

Czech

User manual

Manuel d'utilisation

Gebruiksaanwijzing

Bedienungshandbuch

Manuale di istruzioni

Manual de instrucciones

Instrukcja obsługi

Návod k obsluze

This page is intentionally left blank



Content

Content	1
Preface	2
1 Your product	3
1.1 Accessories	4
2 Before use	5
2.1 Intended use	5
2.2 General safety instructions	5
2.3 Transport.....	6
2.4 Folding - unfolding	8
2.5 (Dis)Assembling rear wheels.....	8
2.6 Storage.....	8
3 Using your wheelchair	9
3.1 Parking brakes	9
3.2 Push handles	10
3.3 Armrests – Side plates	10
3.4 Foldable backrest.....	10
3.5 Anti-tipping (optional)	10
3.6 Comfort adjustments	10
3.7 Moving to/from your wheelchair	12
3.8 Riding.....	12
4 Maintenance	13
4.1 Points of maintenance.....	13
4.2 Maintenance instructions.....	13
4.3 Troubleshooting.....	14
4.4 Expected lifespan	14
4.5 Reuse.....	14
4.6 End of use	14
5 Technical specifications	15

Preface

Congratulations! You are now owner of a Vermeiren wheelchair!

This wheelchair is made by qualified and committed personnel. It is designed and produced according to high quality standards, guarded by Vermeiren.

Please read this manual carefully; it will help you to get familiar with the operation, capabilities and limitations of your wheelchair. If you still have questions after reading this manual, do not hesitate to contact your specialist dealer. He/she will be glad to help you.

Important note

To ensure your safety, and to prolong the lifetime of your product, please take good care of it and have it checked and serviced on a regular basis.

This manual reflects the latest product developments. Vermeiren has the right to implement changes to this type of product without any obligation to adapt or replace similar products previously delivered.

Pictures are used to clarify the instructions in this manual. Details of the depicted product may deviate from your product.

Information available

On our website <http://www.vermeiren.com/> you will always find the most recent version of the information in this manual. Please consult this website regularly for possible updates.

Visually impaired people can download the electronic version of this manual and have it read out by means of a text-to-speech software application.



User manual

For user and specialist dealer



Installation instructions

For specialist dealer



Service manual for wheelchairs

For specialist dealer



EC declaration of conformity

1 Your product

The Trigo S wheelchair is an active, foldable wheelchair, with one fixed footplate and a wide range of adjustment options. It is easy to operate by the occupant and can be used indoors as well as outdoors.

The Trigo S is available in several versions and with the options as shown on our website, see also §5.

1. Backrest
2. Side plate / armrest
3. Seat
4. Frame
5. Footplate
6. Front wheel
7. Rear wheel
8. Push handle (optional)
9. Footrest
10. Brake
11. Identification plate





1.1 Accessories

The following accessories are available for Trigo:

- Crutch holder
- Anti-tipping wheel
- Travel castors
- Backrest stabilisation bar
- Pelot – side support left/right
- Off road wheels 24”
- Gel cover push rim
- Spoke protection
- Anterior pelvic support

2 Before use

This manual is applicable to the wheelchair Trigo S in all its configurations.

2.1 Intended use

- This wheelchair is suitable for indoor and outdoor use.
- This wheelchair is designed and produced solely to transport/transfer one (1) person with a maximum weight according to the configuration of the technical specifications in §5. It is not designed to transport goods or objects, nor for any other use as previously described.
- This wheelchair is meant to be operated by the user sitting in the wheelchair. If push handles are installed, it can be operated by an attendant as well.
- You should NOT use this wheelchair if you suffer from physical or mental impairments that may put you, or other people, in danger when riding the wheelchair. For this reason, consult your doctor first and make sure that your specialist dealer is informed about his advice.
- Only use accessories and spare parts approved by Vermeiren.
- Please read all technical details and limits of your wheelchair in §5.
- The warranty of this product is based on normal use and maintenance as described in this manual. Damage to your product caused by improper use or lack of maintenance will cause the warranty to lapse.

2.2 General safety instructions

 CAUTION Risk of injuries and/or damage

Carefully read and follow the instructions in this manual.





Keep the following general warnings in mind during use:

- Do not use your wheelchair if you are under influence of alcohol, medicines or other substances that may influence your riding abilities.
- Be aware that some parts of your wheelchair may get very hot or cold due to ambient temperature, solar radiation or heating devices. Be careful when touching. Wear protective clothing if the weather is cold. When going outdoors, riding gloves can be used to improve the grip on the hand rims.
- Alterations or substitutions should not be made to the wheelchair securement points or to structural and frame parts or components without consulting the wheelchair manufacturer.

Be aware that your wheelchair may interfere with some types of anti-theft systems, depending on the settings used. This may cause the shop's alarm to go off.

In case a serious incident has occurred involving your product, notify Vermeiren or your specialist dealer as well as the competent authority in your country.

The symbols in following list are applicable to your wheelchair. Symbols can be found in the relevant ISO standard (ISO 7000, ISO 7001 and IEC 417).

	Maximum weight of the user in kg
	Indoor/outdoor use
	Maximum safe slope in ° (degrees)
	Type designation



Risk of entrapment

2.3 Transport

2.3.1 Transport by vehicle, as luggage

1. As user, transfer to a car seat, see §3.7.
2. Fold the wheelchair to its most compact size according to the instructions in § 2.4.
3. Store the wheelchair and its wheels in the luggage compartment or behind the passenger seat. If luggage and passenger compartments are NOT separated or enclosed, fasten the wheelchair frame securely to the vehicle. You can use the available safety belt in the vehicle. Never use the same safety belt for passenger and wheelchair.

2.3.2 Use of the wheelchair as seat in a motor vehicle (only for Trigo with fixed backrest)

 **WARNING** Risk of injuries



- For Trigo with foldable/angle adjustable backrest: Do NOT use your wheelchair as a seat in a vehicle, see the following symbol.
- The wheelchair has passed the crash test of ISO 7176-19: 2008 and, as such, has been designed and tested for use only as forward-facing seat in a motor vehicle. Ease of access to, and manoeuvrability in, motor vehicles can be significantly affected by wheelchair size and turning radius.
- The wheelchair's pelvic belt alone is not suited as an occupant restraint belt.
- Use the wheelchair's pelvic belt and the applicable three-points belt in the vehicle to prevent head and chest impacts with the vehicle.
- Do not use postural supports to restrain the user in the vehicle unless they are labelled as being in accordance with the requirements specified in ISO 7176-19:2008.
- Following involvement in any type of vehicle collision, have your wheelchair inspected by the specialist dealer or manufacturer's representative before reuse.

The wheelchair is tested using the four-point strap-tie system and a 3-point occupant-restraint system.

Whenever feasible, use the seat of the vehicle and store the wheelchair in the cargo area.

Steps to secure the wheelchair in a motor vehicle:

1. Check that the vehicle is equipped with a suitable wheelchair tie down and occupant-restraint system, conform ISO 10542.
2. Check that the components of the wheelchair tie down and occupant restraint system are not frayed, contaminated, damaged or broken.
3. If equipped with an adjustable seat and/or back tilt, make sure that the wheelchair user is sitting as upright as possible. If the user's condition prevents this, a risk assessment should be done to evaluate the user's safety during transit.
4. Remove all mounted accessories such as trays and respiratory equipment, and secure them in a safe place.
5. Position the wheelchair facing forward in the travelling direction, centrally between the tie-down rails mounted in the floor of the vehicle.
6. Mount the front securement straps according to the instructions of the strap-system manufacturer at the indicated place (figure 1). This place is marked on the wheelchair with a symbol (figure 2).
7. Roll back the wheelchair until the front straps are tight.
8. Apply the wheelchair brake.
9. Mount the back securement straps according to the instructions of the strap-system manufacturer at the indicated place (figure 1). This place is marked on the wheelchair with a symbol (figure 2).



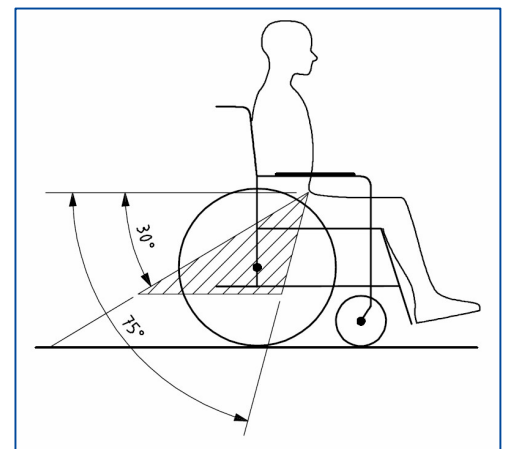
Figure 1



Figure 2

Steps to secure the wheelchair user:

1. Remove both armrests (if possible).
2. If present, attach the wheelchair's pelvic belt.
3. Attach the occupant restraint belts according to the instructions of the strap-system manufacturer.
4. Wear the pelvic belt low across the front of the pelvis, so that the angle of the pelvic belt is within the preferred zone of 30° to 75° to the horizontal, similar to that shown in the figure.
5. A steeper (greater) angle within the preferred zone is desirable.
6. Adjust the belt tightly according to the instructions of the strap-system manufacturer, consistent with the user's comfort.
7. Ensure that the restraint belt connects in a straight line to the anchor point in the vehicle and that no bends in the belt are visible, for instance at the axle of the rear wheel.
8. Install the armrests, if desired. make sure that belts are not twisted or held away from the body by wheelchair components such as armrests or wheels.
9. Position the seatbelt buckle so that the release button will not be contacted by wheelchair components during a crash.
10. Make sure that the shoulder-belt restraints fit over the shoulders, see figure 4.



Belt restraints must not be held away from the body by wheelchair components such as armrests or wheels.

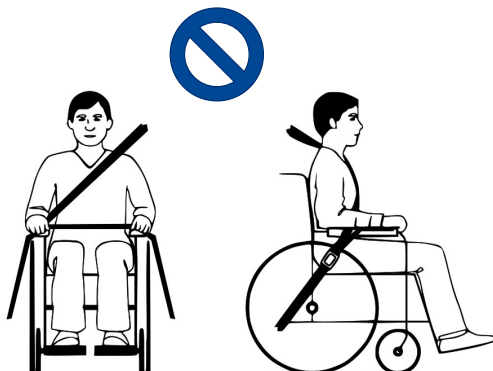


Figure 3 **Improper belt-restraint fit**

Belt restraints make full contact with shoulder, chest and pelvis.

Pelvic belt low on the pelvis near the thigh-abdominal junction

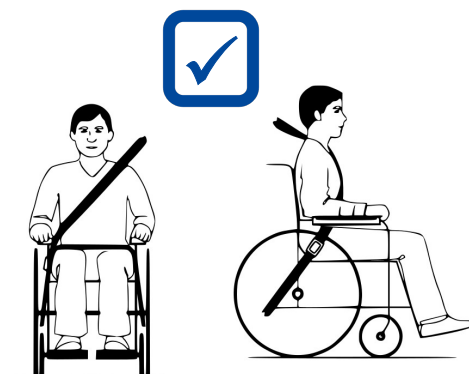
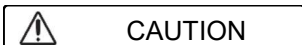


Figure 4 **Proper belt-restraint fit**

2.4 Folding - unfolding



CAUTION

Risk of injuries and/or damage

- Make sure that your fingers don't get trapped at the pivot point of the handles and frame cross.
- Always keep the swing range of the footplate in mind to prevent bystanders from being injured or objects from being damaged.

To fold the wheelchair:

1. Pull the seat cushion and remove it.
2. Depending on type of footplate (8):
 - Open footplate: Unlock and turn it up
 - Foldable footplate: Pull it up to fold
3. Grab the front and back of the seat (15) in the middle, and pull to close.
4. Push seat frame tubes (5) together.
5. Remove the rear wheels if necessary, see §2.5.

To unfold the wheelchair:

1. Pull the seat frame tubes (5) outwards, and push the seat frame down at the left and right side until the seat is flat and the frame is locked into place.
2. If removed, assemble the rear wheels, see §2.5.
3. Place the seat cushion (4) on the Velcro straps of the seat. Make sure that the straps of the seat cushion lie transverse over the straps of the seat.
4. Depending on type of footplate (8):
 - Open footplate: Turn it down until it is locked.
 - Foldable footplate: Push it down until it is blocked.



2.5 (Dis)Assembling rear wheels

To remove the rear wheels

1. Press and hold button (43) while sliding the wheel axle out of the hole of the frame.
2. Repeat this for the other wheel and place the wheelchair gently on the rear frame tubes.

To install the rear wheels

1. Take one of the rear wheels and lift the wheelchair on one side.
2. Press and hold button (43) while sliding the wheel into the axle bushy.
3. Release the button to lock the wheel. Make sure it clicks into place.
4. Repeat this for the other wheel.
5. Ensure that both wheels are firmly secured.



2.6 Storage

- i** Make sure that your wheelchair is stored in a dry environment to prevent mould from growing and the upholstery from being damaged, see also chapter 5.

3 Using your wheelchair



CAUTION

Risk of injuries and/or damage

Make sure that your hands, clothes, belts, buckles or jewellery don't get caught by wheels or other moving parts, during use or adjustment.

3.1 Parking brakes



CAUTION

Risk of injuries and/or damage

- Never release both brakes simultaneously.
- Brakes may only be adjusted by your specialist dealer.
- Do not use the parking brakes to slow the wheelchair down during movements.

Push-pull brakes



The push-pull parking brake can be mounted in two ways (directions), to be decided upon ordering the wheelchair. Depending on the chosen direction, the brake needs to be pushed or pulled for operation.

Releasing brakes (A):

1. With one hand, hold one of the hand rims.
2. Push or pull brake lever (10) of the OTHER wheel.
3. Repeat this for the second wheel and parking brake.

Applying brakes (B):

1. With one hand, hold one of the hand rims.
2. Pull or push brake lever (10) of the OTHER wheel until you feel a distinctive lock.
3. Repeat this for the second wheel and parking brake.



Sport brakes

The sport brakes are located underneath the seat.

Releasing brakes :

1. With one hand, hold one of the hand rims.
2. Pull the handle of the OTHER wheel FORWARD.
3. Repeat this for the second wheel and parking brake.

Applying brakes :

1. With one hand, hold on of the hand rims.
2. Push the brake handle of the OTHER wheel BACKWARDS until you feel a distinctive lock.
3. Repeat this for the second wheel and parking brake.



3.2 Push handles

Depending on the chosen configurations, your wheelchair can be delivered without push handles, or it can be provided with normal handles, or foldable handles.

3.3 Armrests – Side plates

Depending on the chosen configurations, your wheelchair can be provided with a range of different armrests:

- Fixed sideplates without armrests
- Fixed sideplates with armrests
- Foldable tubular armrests
- Removable sideplates

3.4 Foldable backrest

To fold the backrest onto the seat

1. Gently pull the back strap (20). The safety pins of the folding mechanism (21) are released.
2. Push the backrest down onto the seat.

To pull the backrest up

1. Pull the backrest up until it clicks into position.
2. Make sure that both safety pins are locked in the holes of the folding mechanism (21).
3. Check by moving the backrest.



3.5 Anti-tipping (optional)

The anti-tipping device prevents your wheelchair from tipping over backwards. When the device is not needed, it can be swung to the side by pulling the vertical bar (16) down and turning it towards the front of the chair, until it clicks into place.

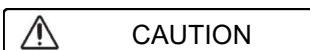
To adjust the height of the anti-tipping device according to the position and size of the rear wheels:

1. Loosen the star knob (17) until the inner tube of the anti-tipping can be moved in the support.
2. Slide the anti-tipping up/down until the desired position.
3. Tighten the star knob (17).

The anti-tipping should be approximately 15-20mm above the ground.



3.6 Comfort adjustments



CAUTION

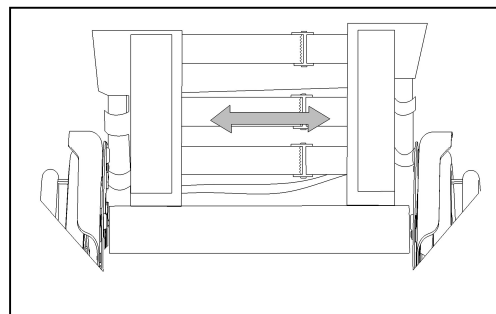
Risk of injuries and/or damage

- The following comfort adjustments can be done by the attendant or caretaker. All other adjustments are done by your specialist dealer (see installation instruction).
- Always keep the swing range of the footrest in mind to prevent bystanders from being injured or objects from being damaged.
- Make sure that your fingers, clothes, buckles won't get entrapped during adjustment.

3.6.1 Backrest width and support

The backrest of the wheelchair has a suspension system with adjustable Velcro straps, to adjust the width and flexibility of the backrest.

1. Pull the backrest cushion from the Velcro straps of the backrest.
2. Loosen the Velcro straps.
3. Pull the respective strap to the desired position. The tension of the individual belts can be varied and the desired support of the back can be set.
4. Place the back cushion back over the backrest starting at the front and ending at the back.
5. Secure the Velcro connections by pressing the cushion against the backrest with your hand.
6. Make sure that all straps are secured with Velcro.



3.6.2 Backrest height (step adjustment)

1. Remove the back cushion.
2. Push the spring button located on the back of the back frame tube.
3. Move the backrest up/down to the desired height.
4. Make sure that the spring button clicks back in the corresponding hole.
5. Repeat for the other side. Make sure that both sides are set to the same height and that they are firmly secured.

3.6.3 Push handle height (stepless adjustment)

Fixing lever

1. Turn the push handle lever (40) to loosen it.
2. Move the push handle up/down to the desired height.
3. Secure the handle by tightening the lever (40).
4. Repeat for the second push handle. Make sure that both handles are set to the same height and that they are firmly secured.

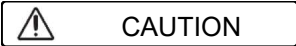


Fixing knob

1. Turn the push handle knob (30) a few turns anticlockwise.
2. Move the push handle up/down to the desired height.
3. Secure the handle by tightening the knob; turn it clockwise.
4. Repeat for the other side. Make sure that both sides are set to the same height and that they are firmly secured.



3.7 Moving to/from your wheelchair



Risk of injuries and damage

- In case you cannot perform the transfer in a safe manner, ask someone to assist you.
- Do not stand on the footplate during transfer into or out of the wheelchair.

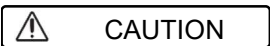
Transfer

1. Position the wheelchair as close as possible to you when sitting in your chair, couch, seat or bed.
2. Apply both parking brakes to block the movement, see §3.1.
3. If possible, fold the open footplate upwards to prevent standing on it.
4. Transfer to/from the wheelchair using the strength of your arms or with the help of attendant(s) or lifting equipment.

Sitting in the wheelchair

1. Sit down on the seat with your lower back against the backrest.
2. If applicable, fold the open footplate down and put your feet on the footplate.

3.8 Riding



Risk of injuries and damage

- Before every usage, make sure that:
 - parking brakes are working properly.
 - tires are in good condition, see §4.
- Prevent your fingers from being caught by the wheel spokes.
- Do not operate the hand rims with wet hands.
- Prevent entrapment of your hands on the hand rims when you pass small passages.
- Do NOT drive on slopes, obstacles, steps or kerbs larger than specified in §5.
- When you stop on a (small) slope, use your brakes.
- Make sure all four wheels touch the ground while riding up or down a slope.
- Take slopes as slow as possible.
- Always stay on the pavement when riding on public roads.
- Pay attention if the road has holes or gaps that may cause entrapment of the wheels.
- Avoid stones and other objects that may block the wheels.
- Make sure that the footplate does not touch ground while taking an obstacle.
- Do not use your wheelchair on an escalator.
- If available, wear your safety belt.
- Always keep the swing range of the footplate in mind to prevent bystanders from being injured or objects from being damaged.
- If you don't have enough experience riding your wheelchair, ask assistance of an attendant. Keep your arms away from the wheels and keep your feet on the footplate.
- Stairs should always be negotiated with the help of two attendants.
- Never try to use stairs that are not appropriate for wheelchairs.

3.8.1 Riding your wheelchair:

1. Release the brakes.
2. Take both hand rims at their highest position.
3. Lean forward and push the hand rims forward until your arms are straight.
4. Move your hands back to the top of the hand rims and repeat the movement.

4 Maintenance

4.1 Points of maintenance

 CAUTION Risk of injuries and damage

Repairs and replacements may only be undertaken by trained persons and only genuine replacement parts of Vermeiren should be used.

i The service frequency depends on the frequency and intensity of use. Contact your dealer to agree to a common timetable for inspection/maintenance/repair.

For the maintenance manual, refer to the Vermeiren website: www.vermeiren.com.

Before each use

Inspect the following points:

- All parts: Present and undamaged or unworn.
- All parts: Clean, see § 4.2.2.
- Wheels, backrest, seat, calf rests, arm rests, footplate: Well secured.
- Condition of wheels/tyres, see § 4.2.1;
- Condition of frame parts: No deformation, instability, weakness or loose connections
- Seat, backrest, arm pads, calf pads and head rest (if applied): No excessive wear (like dented spots, damage or tears).
- Brakes: Undamaged and functioning

Contact your specialist dealer for possible repairs or part replacements.

Yearly or more often

Have your wheelchair inspected and serviced by your specialist dealer, at least once a year, or more often. The minimum maintenance frequency depends on use and should therefore be commonly agreed on with your specialist dealer.

4.2 Maintenance instructions

4.2.1 Wheels and tyres

i Proper working of the brakes depends on the state of the tyres, and can change due to wear and contamination (water, oil, mud, ...).

Keep your wheels free of wires, hair, sand and fibres.

Check the profile of the tyres. If the tread depth is less than 1 mm, the tyres need to be replaced. Contact your specialist dealer for this matter.

Inflate each pneumatic tyre to the correct pressure (see pressure indication on the tyres).

4.2.2 Cleaning

 CAUTION Risk of damage by moisture

- Never use a hose or high-pressure cleaner to clean the wheelchair.

Wipe all rigid parts of the wheelchair with a damp cloth (not drenched).

If necessary, use a mild soap, suitable for varnishes and synthetics.

The upholstery can be cleaned with lukewarm water and a mild soap. Do not use abrasive cleaning agents to clean.



4.2.3 Disinfection

CAUTION

Risk of damage

- Disinfections may only be undertaken by trained persons. Consult your specialist dealer.

4.3 Troubleshooting

Even if you use your wheelchair properly, a technical problem may occur. If this is the case, contact your local specialist dealer.



WARNING

Risk of injuries and damage to the wheelchair

- NEVER attempt to repair the wheelchair yourself.

The following symptoms may indicate a serious problem. Therefore always contact your specialist dealer if you spot any of the following deviations:

- Strange sound;
- Uneven tread wear on one of the tyres;
- Jerky movements;
- Wheelchair deflects to one side;
- Damaged or broken wheel assemblies.

4.4 Expected lifespan

The average lifespan of your wheelchair is 5 years. Depending on the frequency of use, driving circumstances and maintenance, the lifespan of your wheelchair will increase or decrease.

4.5 Reuse

Before reuse by another person, have the wheelchair disinfected, inspected and serviced according to the instructions in §4.1 and §4.2.

4.6 End of use

At end of life, you need to dispose your wheelchair according to the local environmental legislation. The best way to do so, is to disassemble the wheelchair to facilitate the transport of recyclable parts.

5 Technical specifications

The technical details below are only valid for this wheelchair, at standard settings and optimal ambient conditions. Take these details into account during use.

The values are no longer applicable if your wheelchair has been modified, damaged or suffers from severe wear.

Table 1: Technical specifications

Brand	VERMEIREN	
Type	Wheelchair	
Model	Trigo S	
Description	Specifications	
Max. weight of user	For seat width up to 360 mm with single cross: 70 kg For seat width from 380 up to 460 mm with 1.5 cross: 130 kg For seat width from 480 up to 500 mm with double cross: 130 kg	
Static stability	5°	
Dimensions	Min.	Max.
Overall length	676 mm	1046 mm
Dismantled length (wheels dismantled)	650 mm	855 mm
Dismantled width (wheels dismantled)	386 mm	586 mm
Folded height (depending on wheel diameters)	457 mm	660 mm
Wheelchair height (depends on type of rear wheel, adjustment, push handle or backrest height)	457 mm	945 mm
Folded height without wheels	Max. 428 mm	
Seat width	300 mm	500 mm
Overall width in mm (24" rear wheels, 0° camber):	460 mm	660 mm
Wheelchair length (depending on seat depth, type of rear wheel, type of footplate, adjustment)	676 mm	1046 mm
Canvas depth – Seat depth	320 mm	500 mm
Backrest height, adjustable	(in steps of 25 mm)	
Non-foldable BR	250 – 300 mm	
Non-foldable BR	300 – 350 mm	
Foldable BR	350 – 400 mm	
Foldable BR	400 – 450 mm	
Foldable BR	450 – 500 mm	
Backrest height, fixed, foldable	(in steps of 20 mm) 250 – 510 mm	
Seat height at front seat-edge of seat, in relation to front wheels	(in steps of 10 mm)	
3" front wheel	380 – 470 mm	
4" front wheel	390 – 490 mm	
5" front wheel	410 – 500 mm	
6" front wheel	430 – 510 mm	

Seat height at rear seat-edge, depending on rear wheel	(in steps of 10 mm)
18" rear wheel	315 – 415 mm
20" rear wheel	335 – 435 mm
22" rear wheel	355 – 465 mm
24" rear wheel	385 – 495 mm
26" rear wheel	405 – 515 mm
Distance between side plate/mudguard and seat	0 mm
Distance between footplate and seat	220 – 500 mm (in steps of 20 mm)
Footrest length, adjustable	220 mm 480 mm
Seat plane angle adjustable	20°
Angle between seat and footrest	Fixed, 70° or 80°
Angle foot plate and footrest	Infinite (stepless)
Weights	
Total mass	Starting from 11 kg
Mass of heaviest part (without seat and back cushion, wheels)	8.2 kg
Masses of removable parts:	
Wheel 24"	3.1 kg
Backrest cushion	0.4 kg
Seat cushion	0.4 kg
Push handle (adjustable)	0.4 kg
Wheels	
Camber angle of rear wheels default setting, adjustable	0° 2° 4° 6°
Front wheels	3" - 4" - 5" - 6"
Rear wheels	18" – 20" - 22" - 24" - 26"
Hand rim diameter	400 mm – 440 mm – 500 mm – 535 mm – 600 mm
Tyre pressure, rear wheels	2.5 - 10 bar
Environment	
Strength tests according to	ISO 7176-8
Ignitability of upholstery according to	EN 1021-2
Overall rating of belt-restraint accommodation	C
Storage and use temperature	+5 °C ~ +41 °C
Storage and use humidity	30% ~ 70%
We reserve the right to introduce technical changes. Measurement tolerance ± 15 mm /1,5 kg / 1,5°.	

Table des matières

Table des matières	1
Avant-propos	2
1 Votre produit	3
1.1 Accessoires	4
2 Avant l'utilisation	5
2.1 Usage prévu	5
2.2 Consignes générales de sécurité	5
2.3 Transport	6
2.4 Plier - déplier	8
2.5 (Dé)montage des roues arrière	9
2.6 Entreposage	9
3 Utilisation de votre fauteuil roulant	10
3.1 Freins de stationnement.....	10
3.2 Poignées de poussée.....	10
3.3 Accoudoirs – plaques latérales	11
3.4 Dossier pliable.....	11
3.5 Roulette anti-bascule (en option)	11
3.6 Réglages de confort	11
3.7 Se déplacer du/vers votre fauteuil roulant.....	12
3.8 Rouler.....	13
4 Entretien	14
4.1 Points d'entretien	14
4.2 Instructions d'entretien	14
4.3 Résolution des problèmes.....	15
4.4 Durée de vie attendue	15
4.5 Réutilisation.....	15
4.6 Mise au rebut	15
5 Caractéristiques techniques	16

Avant-propos

Félicitations ! Vous êtes à présent l'heureux propriétaire d'un fauteuil roulant Vermeiren !

Ce fauteuil roulant a été fabriqué par un personnel qualifié et responsable. Il est conçu et produit conformément aux normes de qualité élevées, appliquées par Vermeiren.

Veillez lire attentivement ce manuel. Vous pourrez ainsi vous familiariser avec le fonctionnement, les capacités et les limites de votre fauteuil roulant. Si vous avez encore des questions après la lecture de ce manuel, n'hésitez pas à prendre contact avec votre commerçant spécialisé. Il vous aidera volontiers.

Remarque importante

Pour assurer votre sécurité et prolonger la durée de vie de votre produit, prenez-en grand soin et faites-le contrôler ou entretenir régulièrement.

Ce manuel est le reflet des derniers développements du produit. Vermeiren a le droit d'apporter des modifications à ce type de produit sans être tenu d'adapter ou de remplacer des produits similaires fournis précédemment.

Les images sont fournies afin de clarifier les instructions de ce manuel. Les détails du produit illustré peuvent diverger de votre produit.

Informations disponibles

Sur notre site Internet <http://www.vermeiren.com/>, vous trouverez toujours la dernière version des informations décrites dans le présent manuel. Veuillez consulter régulièrement ce site Internet pour connaître les éventuelles mises à jour.

Les personnes malvoyantes peuvent télécharger la version électronique de ce manuel et la lire au moyen d'une application de texte-parole.



Manuel d'utilisation
Pour l'utilisateur et le revendeur spécialisé



Instructions d'installation
Pour le revendeur spécialisé



Manuel d'entretien des fauteuils roulants
Pour le revendeur spécialisé



Déclaration de conformité CE

1 Votre produit

Le fauteuil roulant Trigo S est un fauteuil roulant actif, pliable, doté d'une palette repose-pieds fixe et d'une vaste gamme d'options de réglage. Il est facile à utiliser par l'occupant et peut être utilisé tant à l'intérieur qu'à l'extérieur.

Le Trigo S existe en plusieurs versions et avec les options indiquées sur notre site Internet, voir aussi §5.

1. Dossier
2. Plaque latérale / accoudoir
3. Siège
4. Cadre
5. Palette repose-pieds
6. Roue avant
7. Roue arrière
8. Poignée de poussée (en option)
9. Repose-pieds
10. Frein
11. Plaque d'identification



1.1 Accessoires

Les accessoires suivants sont disponibles pour le Trigo :

- Support pour béquille
- Roue antibasculement
- Roulettes de voyage
- Barre de stabilisation de dossier
- Pelot – support latéral gauche/droite
- Roues tout terrain 24”
- Revêtement gel de main courante
- Protection de rayons
- Soutien pelvien antérieur

2 Avant l'utilisation

Ce manuel s'applique au fauteuil roulant Trigo S dans toutes ses configurations.

2.1 Usage prévu

- Ce fauteuil roulant convient à un usage à l'intérieur et à l'extérieur.
- Ce fauteuil roulant est conçu et fabriqué uniquement pour le transport/transfert d'une (1) personne d'un poids maximum selon la configuration des spécifications techniques au §5. Il n'est pas destiné au transport de biens ou d'objets, ni à tout autre usage que celui décrit précédemment.
- Ce fauteuil roulant est destiné à être manipulé par l'utilisateur assis dans le fauteuil roulant. Si des poignées de poussée sont installées, il peut également être utilisé par un accompagnateur.
- Vous ne devez PAS utiliser ce fauteuil roulant si vous souffrez de handicaps physiques ou mentaux qui pourraient vous mettre, vous-même ou d'autres personnes, en danger pendant la conduite. C'est pourquoi vous devez d'abord consulter votre médecin et vous assurer que votre revendeur spécialisé est informé de ce conseil.
- Utilisez uniquement des accessoires et des pièces de rechange approuvés par Vermeiren.
- Consultez également les détails techniques et les limites de votre fauteuil roulant au § 5.
- La garantie de ce produit est basée sur une utilisation et un entretien normaux, tels que décrits dans le présent manuel. Les dommages à votre produit dus à un usage inapproprié ou à un manque d'entretien auront pour effet d'annuler la garantie.

2.2 Consignes générales de sécurité



ATTENTION

Risque de blessures et/ou de dommages

Lisez et respectez les instructions stipulées dans le présent manuel d'utilisation.

Tenez compte des avertissements généraux suivants pendant l'emploi :

- N'utilisez pas votre fauteuil roulant si vous êtes sous l'influence de l'alcool, de médicaments ou d'autres substances qui peuvent influencer vos capacités de conduite.
- N'oubliez pas que certaines parties de votre fauteuil roulant peuvent devenir très chaudes ou très froides en fonction de la température ambiante, des rayons du soleil ou des dispositifs de chauffage. Faites donc attention lorsque vous les touchez. Portez des vêtements de protection s'il fait froid. Lorsque vous sortez, des gants peuvent être utilisés pour améliorer la prise sur les mains courantes.
- Ne réalisez pas de modifications ou de remplacements aux points d'attache du fauteuil roulant ou aux composants ou éléments du châssis et structurels sans consulter le fabricant du fauteuil roulant.

Sachez que votre fauteuil roulant peut interférer avec certains types de systèmes antivols, selon les paramètres utilisés. Cela peut déclencher l'alarme du magasin.

En cas d'incident grave impliquant votre produit, informez Vermeiren ou votre revendeur spécialisé ainsi que l'autorité compétente de votre pays.




Les symboles de la liste suivante concernent votre fauteuil roulant. Vous trouverez les symboles dans les normes ISO correspondantes (ISO 7000, ISO 7001 et CEI 417).



Poids maximum de l'utilisateur en kg



Usage à l'intérieur/extérieur

	Déclivité sûre maximale en ° (degrés)
	Indication du type
	Risque de coincement


2.3 Transport

2.3.1 Transport par véhicule, comme bagages

1. En tant qu'utilisateur, transférez vers un siège de voiture, voir § 3.7.
2. Pliez le fauteuil roulant dans ses dimensions les plus compactes selon les instructions in § 2.4.
3. Entreposez le fauteuil roulant et ses roues dans le compartiment des bagages ou derrière le siège passager. Si le coffre n'est PAS séparé de l'habitacle du véhicule ou fermé, fixez fermement le fauteuil roulant dans le véhicule. Vous pouvez également utiliser la ceinture de sécurité du véhicule. N'utilisez jamais la même ceinture de sécurité pour le passager et le fauteuil roulant.

2.3.2 Transport par véhicule, en tant que siège pour l'utilisateur (uniquement pour Trigo avec dossier fixe)

 **AVERTISSEMENT** Risque de blessures

- Pour Trigo avec dossier pliable/réglable en angle : N'utilisez PAS votre fauteuil roulant comme siège dans un véhicule, voir symbole suivant. 
- Le fauteuil roulant a réussi l'essai de collision de la norme ISO 7176-19:2008 et a, par conséquent, été conçu et testé dans le seul but d'être utilisé en tant que siège orienté vers l'avant dans un véhicule motorisé. La facilité d'accès et la manœuvrabilité dans les véhicules à moteur peuvent être considérablement affectées par la taille du fauteuil roulant et le rayon de braquage.
- La ceinture pelvienne seule n'est pas adaptée pour être utilisée comme ceinture de sécurité pour tout autre passager.
- Utilisez la ceinture pelvienne du fauteuil roulant ainsi que la ceinture à trois points présente dans le véhicule pour éviter tout impact entre la tête ou la poitrine de l'utilisateur et le véhicule.
- N'utilisez pas de soutiens de la posture pour retenir l'utilisateur à l'intérieur du véhicule, à moins que ces derniers ne soient pourvus d'une étiquette attestant de leur conformité avec les exigences spécifiées dans la norme ISO 7176-19:2008.
- Si vous avez été impliqué dans une quelconque collision automobile, faites inspecter votre fauteuil roulant par le revendeur spécialisé ou un représentant du fabricant avant de le réutiliser.

Le fauteuil est testé avec 4 points d'attache et une ceinture 3 points.

Dès que possible, utilisez le siège du véhicule et emportez votre fauteuil dans le coffre.

Etapes pour fixer le fauteuil dans un véhicule:

1. Vérifiez que le véhicule est équipé d'un système d'accroches pour fauteuils roulant, ISO 10542.
2. Vérifiez que les systèmes d'accroche sont en bon état de fonctionnement (Ne pas utiliser si les points d'accroches sont endommagés).
3. Si le fauteuil a une assise ou un dossier réglable, faites en sorte que l'utilisateur soit le plus droit possible dans son fauteuil. Si l'état de santé de l'utilisateur empêche ceci, une évaluation des risques et nécessaire pour évaluer la sécurité de l'utilisateur pendant le transport.

4. Retirez du fauteuil les accessoires tels que tablette, équipement respiratoire et sécurisez les pour le transport.
5. Dans la voiture, positionnez le fauteuil roulant face à la route et centré entre les points d'accroche.
6. Fixez les sangles avant de sécurité comme indiqué par le fabricant (figure 1). Les points d'accroches sont indiqués sur le fauteuil roulant par un symbole (figure 2).
7. Reculez le fauteuil de façon à ce que les sangles avant soient tendues.
8. Actionnez les freins du fauteuil roulant.
9. Fixez les sangles arrière de sécurité comme indiqué par le fabricant (figure 1). Les points d'accroches sont indiqués sur le fauteuil roulant par un symbole (figure 2).



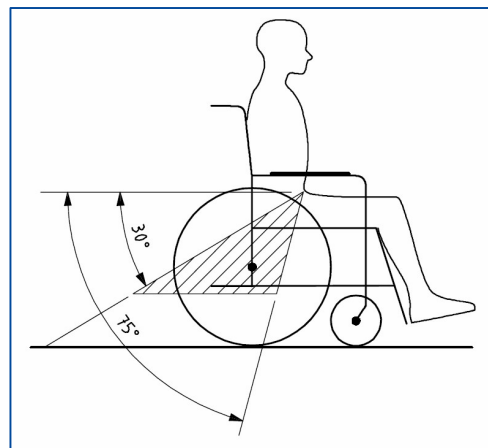
Figure 1



Figure 2

Étapes pour sécuriser l'utilisateur du fauteuil roulant:

1. Retirez les deux accoudoirs.
2. Si le fauteuil a une ceinture de sécurité, bouclez la.
3. Attachez l'utilisateur du fauteuil comme indiqué par le fabricant des sangles de sécurité.
4. Portez la ceinture de sécurité du bassin de façon à ce qu'elle soit positionnée comme sur le dessin, dans une zone de 30 à 75° par rapport à l'horizontal.
5. Pour le confort du patient, préférez le plus grand angle de la zone hachurée (préférez l'angle de 75° à l'angle des 30°).
6. Ajustez la ceinture de sécurité comme indiqué par le fabricant pour que celle-ci soit tendue tout en gardant le confort de l'utilisateur.
7. Assurez-vous que les ceintures soient correctement fixées sans être pliées ou torsadées.
8. Vous pouvez installer à nouveau les accoudoirs si cela est nécessaire. Assurez-vous que les ceintures ne sont pas coincées par certaines parties du fauteuil comme les accoudoirs, les roues, etc.
9. Placez la boucle de la ceinture de sécurité de manière à ce que le bouton déclencheur ne soit pas actionné par des éléments du fauteuil roulant en cas de collision.
10. Assurez-vous que les retenues de la ceinture épaulière reposent bien sur les épaules de l'utilisateur, voir la figure 4.



Les retenues de la ceinture ne doivent pas être maintenues éloignées du corps par des éléments du fauteuil roulant, comme les accoudoirs ou les roues.

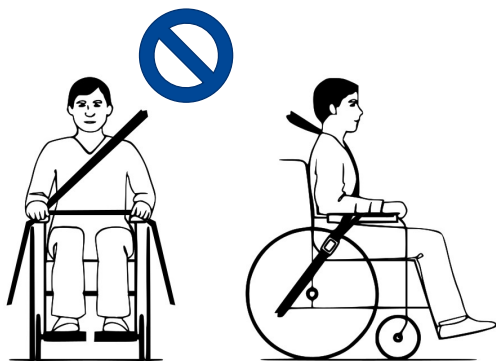


Figure 3 Mauvaise position des retenues de la ceinture

Les retenues de la ceinture sont totalement en contact avec l'épaule, la poitrine et le bassin.

La ceinture pelvienne est basse sur le bassin, près de la jonction entre les cuisses et la région abdominale.

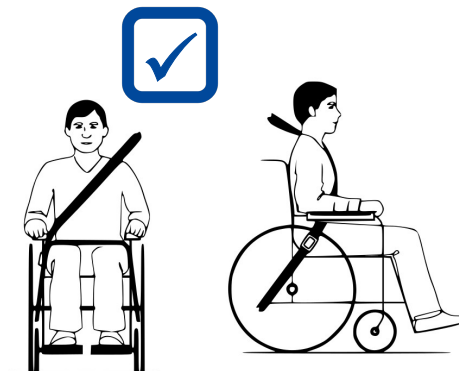


Figure 4 Bonne position des retenues de la ceinture

2.4 Plier - déplier



ATTENTION

Risque de blessures et/ou de dommages

- Assurez-vous de ne pas vous coincer les doigts au point d'articulation des poignées et de la croix du cadre.
- Tenez toujours compte de l'amplitude de la palette repose-pied pour ne pas blesser les personnes ou endommager les objets aux alentours.

Pour plier le fauteuil roulant :

1. Tirez le coussin de siège et enlevez-le.
2. Suivant le type de palette repose-pieds (8):
 - Palette repose-pieds ouverte : Déverrouillez et tournez-la vers le haut
 - Palette repose-pieds pliable : Tirez pour plier
3. Saisissez le milieu du siège (15) par l'avant et l'arrière, et tirez pour fermer.
4. Rassemblez les tubes du cadre de siège (5) en les poussant.
5. Retirez les roues arrière si nécessaire, voir §2.5.



Pour déplier le fauteuil roulant :

1. Tirez les tubes du cadre de siège (5) vers l'extérieur et poussez le cadre de siège vers le bas à gauche et à droite jusqu'à ce que le siège soit plat et le cadre bloqué en place.
2. Si vous les avez enlevées, remontez les roues arrière, voir §2.5.
3. Placez le coussin de siège (4) sur les bandes Velcro du siège. Assurez-vous que les bandes du coussin de siège sont posées transversalement sur les bandes du siège.
4. Suivant le type de palette repose-pieds (8):
 - Palette repose-pieds ouverte : Tournez-la vers le bas jusqu'à ce qu'elle se bloque.
 - Palette repose-pieds pliable : Poussez-la vers le bas jusqu'à ce qu'elle se bloque.

2.5 (Dé)montage des roues arrière

Pour retirer les roues arrière

1. Enfoncez et maintenez le bouton (43) en faisant glisser l'axe de la roue dans le trou du cadre.
2. Répétez cette opération pour l'autre roue et posez délicatement le fauteuil roulant sur les tubes de cadre arrière.

Pour installer les roues arrière

1. Saisissez l'une des roues arrière et soulevez le fauteuil roulant sur un côté.
2. Enfoncez et maintenez le bouton (43) en faisant glisser la roue sur l'axe.
3. Relâchez le bouton pour bloquer la roue. Assurez-vous qu'elle se clipse en place.
4. Répétez cette opération pour l'autre roue.
5. Assurez-vous que les deux roues sont fermement bloquées.



2.6 Entreposage

- i** Assurez-vous que votre fauteuil roulant est entreposé dans un environnement sec pour éviter la formation de moisissure et l'endommagement du rembourrage, voir également le chapitre 5.

3 Utilisation de votre fauteuil roulant



ATTENTION

Risque de blessures et/ou de dommages

Assurez-vous que vos mains, vêtements, ceintures, boucles ou bijoux ne puissent pas se coincer dans les roues ou dans d'autres parties mobiles pendant l'utilisation ou le réglage.

3.1 Freins de stationnement



ATTENTION

Risque de blessures et/ou de dommages

- Ne lâchez jamais les deux freins en même temps.
- Seul votre commerçant spécialisé peut effectuer le réglage des freins.
- N'utilisez pas les freins de stationnement pour ralentir le fauteuil roulant pendant les déplacements.

Freins à pousser-tirer



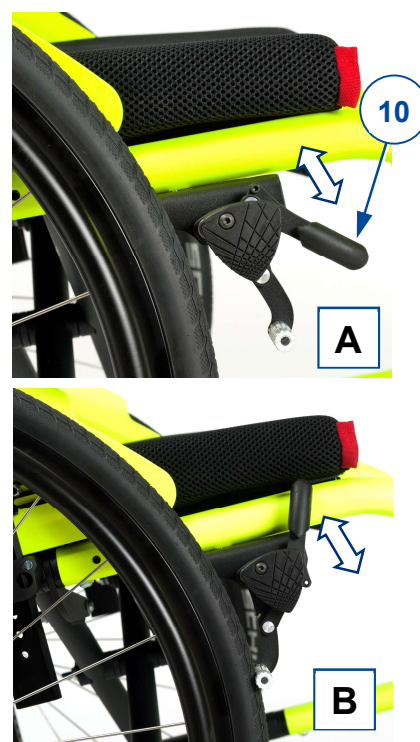
Le frein de stationnement à pousser-tirer peut être monté de deux façons (directions), à décider à la commande du fauteuil roulant. Suivant la direction choisie, le frein doit être poussé ou tiré pour l'actionner.

Relâcher les freins (A):

1. Avec une main, saisissez l'une des mains courantes.
2. Poussez ou tirez le levier de frein (10) de l'AUTRE roue.
3. Répétez cette opération pour les deuxièmes roue et frein de stationnement.

Actionner les freins (B) :

1. Avec une main, saisissez l'une des mains courantes.
2. Tirez le levier de frein (10) de l'AUTRE roue jusqu'à ce que vous entendiez clairement un déclic.
3. Répétez cette opération pour les deuxièmes roue et frein de stationnement.



Freins de sport

Les freins de sport se trouvent sous le siège.

Relâcher les freins :

1. Avec une main, saisissez l'une des mains courantes.
2. Tirez la poignée de L'AUTRE roue VERS L'AVANT.
3. Répétez cette opération pour les deuxièmes roue et frein de stationnement.

Actionner les freins :

1. Avec une main, saisissez l'une des mains courantes.
2. Poussez le levier de frein de l'AUTRE roue vers L'ARRIÈRE jusqu'à ce que vous sentiez clairement un déclic.
3. Répétez cette opération pour les deuxièmes roue et frein de stationnement.



3.2 Poignées de poussée

Suivant les configurations choisies, votre fauteuil roulant peut être fourni sans poignées de poussée, avec des poignées normales ou avec des poignées pliables.

3.3 Accoudoirs – plaques latérales

Suivant les configurations choisies, votre fauteuil roulant peut être doté d'une série d'accoudoirs différents :

- Plaques latérales fixes sans accoudoirs
- Plaques latérales fixes avec accoudoirs
- Accoudoirs tubulaires pliables
- Plaques latérales amovibles

3.4 Dossier pliable

Pour plier le dossier sur le siège

1. Tirez délicatement la sangle arrière (20). Les goupilles de sécurité du mécanisme de pliage (21) sont libérées.
2. Rabaissez le dossier dans le siège.

Pour retirer le dossier

1. Tirez le dossier vers le haut jusqu'à ce qu'il s'enclipse en position.
2. Assurez-vous que les deux goupilles de sécurité sont bloquées dans les trous du mécanisme de pliage (21).
3. Vérifiez en faisant bouger le dossier.



3.5 Roulette anti-bascule (en option)

Le dispositif antibasculement empêche votre fauteuil roulant de basculer en arrière. Si ce dispositif n'est pas nécessaire, il peut être pivoté sur le côté en tirant la barre verticale (16) vers le bas et en la tournant vers l'avant du fauteuil jusqu'à ce qu'elle se mette en place.

Pour ajuster la hauteur de la roulette anti-bascule en fonction de la position et de la taille des roues arrière :

1. Desserrez la vis étoile (17) jusqu'à ce que le tube intérieur de la roulette anti-bascule puisse être bougé dans le support.
2. Faites glisser la roulette anti-bascule vers le haut ou vers le bas jusqu'à la position désirée.
3. Serrez la vis étoile (17).

La roulette anti-bascule devrait être approximativement à 15-20 mm au dessus du sol.



3.6 Réglages de confort



ATTENTION

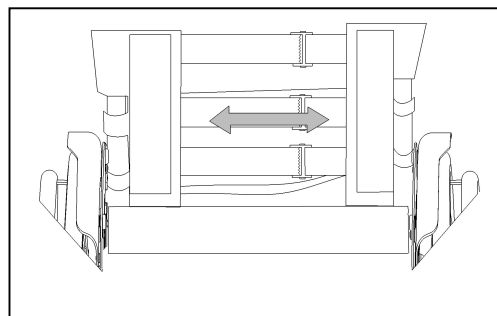
Risque de blessures et/ou de dommages

- Les réglages de confort suivants peuvent être effectués par l'accompagnateur ou le personnel soignant. Tous les autres réglages sont effectués par votre revendeur spécialisé (voir instructions d'installation).
- Tenez toujours compte de l'amplitude du repose-pied pour ne pas blesser les personnes ou endommager les objets aux alentours.
- Veillez à ne pas vous coincer les doigts, vêtements ou boucles pendant le réglage.

3.6.1 Largeur de dossier et support

Le dossier du fauteuil roulant possède un système de suspension avec des bandes Velcro ajustables pour régler la largeur et la flexibilité du dossier.

1. Tirez le coussin du dossier au départ des bandes Velcro du dossier.
2. Desserrez les bandes Velcro.
3. Tirez la bande respectueuse dans la position souhaitée. La tension des ceintures individuelles peut varier et le support souhaité du dossier peut être réglé.
4. Remettez le coussin pour le dos sur le dossier en commençant par l'avant et en terminant par l'arrière.
5. Fermez les raccords en Velcro en pressant à la main le coussin contre le dossier.
6. Assurez-vous que toutes les sangles sont bien fermées avec le Velcro.



3.6.2 Hauteur du dossier (réglage progressif)

1. Retirez le coussin de derrière.
2. Poussez le bouton à ressort situé derrière le tube de cadre arrière.
3. Déplacez le dossier vers le haut/bas à la hauteur désirée.
4. Assurez-vous que le bouton à ressort s'enclipsé bien dans le trou correspondant.
5. Répétez l'opération pour l'autre côté. Assurez-vous que les deux côtés sont réglés à la même hauteur et qu'ils sont fermement fixés.

3.6.3 Hauteur de poignée de poussée (réglage en continu)

Fixation du levier

1. Tournez le levier de la poignée de poussée (40) pour le relâcher.
2. Déplacez la poignée vers le haut/bas à la hauteur désirée.
3. Fixez la poignée en serrant le levier (40).
4. Répétez cette opération pour la deuxième poignée de poussée. Assurez-vous que les deux poignées sont réglées à la même hauteur et qu'elles sont fermement fixées.



Fixation du bouton

1. Tournez le bouton de poignée de poussée (30) de quelques tours dans le sens anti-horaire.
2. Déplacez la poignée vers le haut/bas à la hauteur désirée.
3. Fixez la poignée en serrant le bouton, tournez-le dans le sens horaire.
4. Répétez l'opération pour l'autre côté. Assurez-vous que les deux côtés sont réglés à la même hauteur et qu'ils sont fermement fixés.



3.7 Se déplacer du/vers votre fauteuil roulant



ATTENTION

Risque de blessures et de dommages

- Si vous ne pouvez pas réaliser le transfert de manière sûre, demandez à quelqu'un de vous aider.
- Ne vous reposez pas sur la palette repose-pieds pendant le transfert de ou vers le fauteuil roulant.

Transfert

1. Positionnez le fauteuil roulant aussi près de vous que possible lorsque vous êtes assis sur une chaise, un fauteuil, un siège ou un lit.
2. Actionnez les deux freins de stationnement pour bloquer le mouvement, voir §3.1.
3. Si possible, repliez la palette repose-pieds ouverte vers le haut pour éviter de vous reposer sur elle.
4. Faites le transfert du ou vers le fauteuil roulant à la force de vos bras, ou avec l'aide d'un accompagnateur(s) ou d'un équipement de levage.

S'asseoir sur le fauteuil roulant

1. Asseyez-vous sur le siège, le bas du dos contre le dossier.
2. Si applicable, abaissez la palette repose-pieds et mettez-y les pieds.

3.8 Rouler

**ATTENTION****Risque de blessures et de dommages**

- Avant tout usage, assurez-vous que :
 - les freins de stationnement fonctionnent correctement.
 - les pneus sont en bon état, voir § 4.
- Faites attention de ne pas vous coincer les doigts dans les rayons des roues.
- Ne tenez pas les poignées avec des mains mouillées.
- Faites attention de ne pas vous coincer les mains sur les mains courantes lorsque vous roulez dans des passages étroits
- Ne roulez PAS sur des pentes, obstacles, marches ou bordures plus larges que la dimension décrite au § 5.
- Lorsque vous vous arrêtez sur une (petite) pente, utilisez vos freins.
- Assurez-vous que les quatre roues touchent le sol lorsque vous montez ou descendez une pente.
- Abordez les pentes aussi lentement que possible.
- Restez toujours sur le trottoir lorsque vous roulez sur la voie publique.
- Faites attention s'il y a des trous ou des fissures dans la route qui peuvent coincer les roues.
- Évitez les pierres et autres objets pouvant bloquer les roues.
- Assurez-vous que la palette repose-pieds ne touche pas le sol lorsque vous abordez un obstacle.
- N'utilisez pas votre fauteuil roulant sur un escalier mécanique.
- Si disponible, portez votre ceinture de sécurité.
- Tenez toujours compte de l'amplitude de la palette repose-pied pour ne pas blesser les personnes ou endommager les objets aux alentours.
- Si vous n'avez pas suffisamment d'expérience dans la conduite de votre fauteuil roulant, demandez l'aide d'un accompagnateur. Gardez vos mains à l'écart des roues et laissez vos pieds sur la palette repose-pieds.
- Les escaliers doivent toujours être franchis à l'aide de deux accompagnateurs.
- N'essayez jamais d'emprunter des escaliers qui ne sont pas appropriés pour les fauteuils roulants.

3.8.1 Rouler avec votre fauteuil roulant :

1. Relâchez les freins.
2. Saisissez les deux mains courantes à leur position la plus élevée.
3. Penchez-vous en avant et poussez les mains courantes vers l'avant jusqu'à ce que vos bras soient tendus.
4. Repassez vos mains vers le haut des mains courantes et répétez le mouvement.

4 Entretien

4.1 Points d'entretien

**ATTENTION**

Risque de blessures et de dommages

Les réparations et les remplacements ne peuvent être réalisés que par des personnes formées, et seules des pièces de remplacement d'origine de Vermeiren peuvent être utilisées.



La fréquence d'entretien dépend de la fréquence et de l'intensité de l'utilisation. Prenez contact avec votre commerçant pour convenir d'un rendez-vous pour une inspection/un entretien/une réparation.

Le mode d'entretien se trouve sur le site Internet de Vermeiren : www.vermeiren.com.

Avant chaque utilisation

Inspectez les points suivants :

- Toutes les pièces : Présentes et sans dommage ni usure.
- Toutes les pièces : Propres, voir § 4.2.2.
- Roues, dossier, siège, repose-jambes, accoudoirs, palette repose-pieds : Bien serrés.
- État des roues/pneus, voir § 4.2.1.
- État des pièces du cadre : Pas de déformation, d'instabilité, de faiblesse ou de connexions desserrées.
- Siège, dossier, manchettes, repose-jambes et appuie-tête (si applicable) : Pas d'usure excessive (bosses, dommages ou déchirures).
- Freins : Non endommagés et fonctionnant

Contactez votre commerçant spécialisé pour les réparations et les remplacements de pièces éventuels.

Chaque année ou plus souvent

Faites inspecter et entretenir votre fauteuil roulant par votre revendeur spécialisé au moins une fois par an, ou plus. La fréquence d'entretien minimale dépend de l'usage et doit être déterminée de commun accord avec votre commerçant spécialisé.

4.2 Instructions d'entretien

4.2.1 Roues et pneus



Un fonctionnement correct des freins dépend de l'état des pneus, qui peut changer en raison de l'usure et de la contamination (eau, huile, boue...).

Éliminez les fils, cheveux, le sable et les fibres de vos roues.

Vérifiez le profil des pneus. Si la profondeur de la sculpture est inférieure à 1 mm, les pneus doivent être remplacés. Prenez contact avec votre revendeur spécialisé à ce propos.

Gonflez chaque pneu à la pression adéquate (cf. les indications de pression sur les pneus).

4.2.2 Nettoyage

ATTENTION

Risque de dommages dus à l'humidité

- N'utilisez jamais un tuyau ou un nettoyeur à haute pression pour nettoyer le fauteuil roulant.

Essuyez toutes les parties rigides du fauteuil roulant avec un chiffon humide (pas détrempe). Si nécessaire, utilisez un savon doux, approprié pour les laques et les synthétiques.

Le rembourrage peut être nettoyé à l'eau tiède additionnée de savon doux. N'utilisez pas de produits de nettoyage abrasifs.

4.2.3 Désinfection

ATTENTION

Risque de dommages

- La désinfection ne peut être réalisée que par des personnes qualifiées. Renseignez-vous auprès de votre revendeur spécialisé à cet égard.

4.3 Résolution des problèmes

Même si vous utilisez votre fauteuil roulant de façon appropriée, les problèmes techniques ne sont pas exclus. Dans ce cas, contactez votre local revendeur spécialisé.



AVERTISSEMENT

Risque de blessures et de dommages au fauteuil roulant

- N'essayez JAMAIS de réparer le fauteuil roulant vous-même.

Les symptômes suivants peuvent indiquer un problème grave. Par conséquent, prenez toujours contact avec votre revendeur spécialisé si vous détectez l'une des anomalies suivantes :

- Bruit anormal ;
- Usure inégale sur la sculpture de l'un des pneus ;
- Mouvements saccadés ;
- Le fauteuil roulant dévie d'un côté ;
- Ensembles de roues endommagés ou cassés.

4.4 Durée de vie attendue

La durée de vie moyenne de votre fauteuil roulant est de 5 ans. Selon la fréquence d'utilisation, les circonstances de conduite et d'entretien, la durée de vie de votre fauteuil roulant augmentera ou diminuera.

4.5 Réutilisation

Avant chaque réutilisation, faites désinfecter, inspecter et entretenir le fauteuil roulant conformément aux instructions du §4.1 et du §4.2.

4.6 Mise au rebut

À la fin de sa durée de vie, votre fauteuil roulant doit être évacué conformément à la législation environnementale locale. Il est recommandé de démonter le fauteuil roulant afin de faciliter le transport des matériaux recyclables.

5 Caracteristiques techniques

Les détails techniques ci-dessous concernent uniquement ce fauteuil roulant, avec des réglages standard et dans des conditions ambiantes optimales. Veuillez tenir compte de ces détails pendant l'utilisation. Les valeurs ne sont plus valables si votre fauteuil roulant a été modifié, endommagé ou présente une usure sérieuse.

Tableau 1 : Caractéristiques techniques

Marque	VERMEIREN	
Type	Fauteuil roulant	
Modèle	Trigo S	
Description	Caractéristiques	
Poids maximum de l'utilisateur	Pour largeur de siège jusqu'à 360 mm avec simple croix : 70 kg Pour largeur de siège de 380 à 460 mm avec croix 1.5 : 130 kg Pour largeur de siège de 480 à 500 mm avec double croix : 130 kg	
Stabilité statique	5°	
Dimensions	Min.	Max.
Longueur hors tout	676 mm	1046 mm
Longueur démonté (roues démontées)	650 mm	855 mm
Largeur démonté (roues démontées)	386 mm	586 mm
Hauteur replié (suivant les diamètres de roue)	457 mm	660 mm
Hauteur de fauteuil roulant (Suivant le type de roue arrière, le réglage, la poignée de poussée ou la hauteur du dossier)	457 mm	945 mm
Hauteur replié sans roues	Maxi 428 mm	
Largeur du siège	300 mm	500 mm
Largeur hors tout en mm (roues arrière 24", 0° carrossage) :	460 mm	660 mm
Longueur de fauteuil roulant (suivant la profondeur de siège, le type de roue arrière, le type de palette repose-pieds, le réglage)	676 mm	1046 mm
Profondeur de toile – Profondeur de siège	320 mm	500 mm
Hauteur de dossier, réglable	(par pas de 25 mm)	
Non-pliable BR	250 – 300 mm	
Non-pliable BR	300 – 350 mm	
Pliable BR	350 – 400 mm	
Pliable BR	400 – 450 mm	
Pliable BR	450 – 500 mm	
Hauteur de dossier, fixe, pliable	(par pas de 20 mm) 250 – 510 mm	
Hauteur de siège au bord du siège avant, par rapport aux roues avant	(par pas de 10 mm)	
Roue avant 3"	380 – 470 mm	
Roue avant 4"	390 – 490 mm	
Roue avant 5"	410 – 500 mm	
Roue avant 6"	430 – 510 mm	

Hauteur de siège au bord du siège arrière, suivant la roue arrière	(par pas de 10 mm)
Roues arrière 18"	315 – 415 mm
Roues arrière 20"	335 – 435 mm
Roues arrière 22"	355 – 465 mm
Roues arrière 24"	385 – 495 mm
Roues arrière 26"	405 – 515 mm
Distance entre la plaque latérale/garde-boue et le siège	0 mm
Distance entre la palette repose-pied et le siège	(par pas de 20 mm) 220 – 500 mm
Longueur de repose-pieds, réglable	220 mm 480 mm
Angle d'assise, réglable	20°
Angle entre le siège et le repose-pieds	Fixe, 70° ou 80°
Angle palette repose-pieds et repose-pieds	Infini (en continu)
Poids	
Masse totale	A partir de 11 kg
Masse de pièce la plus lourde (sans siège ni coussin arrière, roues)	8,2 kg
Masse des pièces amovibles :	
Roue 24"	3,1 kg
Coussin de dossier	0,4 kg
Coussin de siège	0,4 kg
Poignée de poussée (réglable)	0,4 kg
Roues	
Angle de carrossage des roues arrière, réglage par défaut, réglable	0° 2° 4° 6°
Roues avant	3" - 4" - 5" - 6"
Roues arrière	18" – 20" - 22" - 24" - 26"
Diamètre de main courante	400 mm – 440 mm – 500 mm – 535 mm – 600 mm
Pression des pneus, roues arrière	2,5 - 10 bar
Environnement	
Tests de résistance selon	ISO 7176-8
Inflammabilité de rembourrage conforme à	EN 1021-2
Évaluation globale de l'adaptation de la ceinture de sécurité	C
Température d'entreposage et d'utilisation	+5 °C ~ +41 °C
Humidité d'entreposage et d'utilisation	30% ~ 70%
Nous nous réservons le droit d'apporter des modifications techniques.	
Measurement tolerance ± 15 mm / 1,5 kg / 1,5°.	

Inhoud

Inhoud	1
Voorwoord	2
1 Uw product	3
1.1 Accessoires	4
2 Voor gebruik	5
2.1 Beoogd gebruik	5
2.2 Algemene veiligheidsmaatregelen	5
2.3 Transport.....	6
2.4 Vouwen - ontvouwen	8
2.5 Achterwielen (de)monteren	9
2.6 Opslag.....	9
3 Uw rolstoel gebruiken	10
3.1 Parkeerremmen	10
3.2 Handgrepen	10
3.3 Armsteunen - Zijplaten	11
3.4 Vouwbare rugsteun	11
3.5 Anti-tipping (optioneel)	11
3.6 Aanpassingen voor comfort.....	11
3.7 Transfer in/uit uw rolstoel	12
3.8 Rijden	13
4 Onderhoud	14
4.1 Tijdstippen voor onderhoud	14
4.2 Onderhoudsinstructies	14
4.3 Probleemoplossing.....	15
4.4 Verwachte levensduur	15
4.5 Hergebruik.....	15
4.6 Beëindiging van gebruik	15
5 Technische specificaties	16

Voorwoord

Proficiat! U bent eigenaar van een Vermeiren-rolstoel!

Deze rolstoel werd vervaardigd door gekwalificeerd en toegewijd personeel. Hij werd ontworpen en geproduceerd volgens hoge kwaliteitsnormen, bewaakt door Vermeiren.

Lees deze handleiding zorgvuldig door: het zal u helpen om vertrouwd te raken met de bediening, mogelijkheden en beperkingen van uw rolstoel. Als u hierna nog vragen heeft, aarzel dan niet om contact op te nemen met uw vakhandelaar. Hij/Zij zal u met plezier verder helpen.

Belangrijke opmerking

Om uw veiligheid te garanderen, en om de levensduur van uw product te verlengen, raden we u aan om er goed zorg voor te dragen en om regelmatig nazicht en onderhoud te laten uitvoeren.

Deze handleiding houdt rekening met de recentste productontwikkelingen. De Firma Vermeiren behoudt zich het recht voor om wijzigingen aan dit type product door te voeren zonder verplicht te zijn om voordien geleverde producten aan te passen of te vervangen.

Afbeeldingen van het product worden gebruikt om de instructies in deze handleiding te verduidelijken. Details van het afgebeelde product kunnen afwijken van uw aangekochte product.

Beschikbare informatie

Op onze website <http://www.vermeiren.com/> kan u steeds de meest recente versie terugvinden van de informatie in deze handleiding. Contacteer deze website regelmatig voor mogelijke updates.

Mensen met een visuele beperking kunnen de elektronische versie van deze handleiding downloaden en laten voorlezen door een tekst-naar-spraak programma.



Gebruiksaanwijzing

Voor de gebruiker en vakhandelaar



Installatiehandleiding

Voor de vakhandelaar



Onderhoudshandleiding voor rolstoelen

Voor de vakhandelaar



EC-conformiteitsverklaring

1 Uw product

De Trigo S rolstoel is een actieve, vouwbare rolstoel met een vaste voetplaat en een uitgebreid aanbod aan mogelijkheden. Hij is makkelijk te bedienen door de inzittenden en kan zowel binnen als buiten gebruikt worden.

De Trigo S is beschikbaar in verschillende uitvoeringen, en met de opties zoals weergegeven op onze website, zie ook §5.

1. Rugsteun
2. Zijplaat / armsteun
3. Zit
4. Frame
5. Voetplaat
6. Voorwiel
7. Achterwiel
8. Handgreep (optioneel)
9. Voetsteun
10. Rem
11. Identificatieplaat



1.1 Accessories

De volgende accessoires zijn beschikbaar voor Trigo:

- Krukkenhouder
- Anti-tipping wiel
- Reiswielen
- Rugsteun stabilisatiebar
- Pelot – zijsteun links/rechts
- Off road wielen 24”
- Gelbekleding aandrijfhoepel
- Spaakbescherming
- Anterieure bekkensteun

2 Voor gebruik

Deze handleiding heeft betrekking op de rolstoel Trigo S in al zijn configuraties.

2.1 Beoogd gebruik

- Deze rolstoel is geschikt voor gebruik binnen en buiten.
- Deze rolstoel is uitsluitend ontworpen en geproduceerd voor het vervoer/transfer van één (1) persoon met een maximumgewicht volgens de technische specificaties in hoofdstuk 5. Hij is niet bedoeld om goederen of objecten te vervoeren, noch voor enig ander gebruik dan hiervoor beschreven.
- De inzittende van de rolstoel is degene die de rolstoel bedient. Indien handgrepen voorzien zijn, kan de rolstoel ook bediend worden door een begeleider.
- Gebruik deze rolstoel NIET indien u lijdt aan psychische of mentale beperkingen waardoor u uzelf of andere mensen in gevaar kan brengen bij het rijden. Consulteer daarom eerst uw dokter, en informeer uw vakhandelaar over zijn/haar advies.
- Gebruik enkel accessoires en reserveonderdelen die werden goedgekeurd door Vermeiren.
- Lees eerst alle technische details en limieten van uw rolstoel in hoofdstuk 5.
- De garantie op dit product is gebaseerd op normaal gebruik en onderhoud zoals beschreven in deze handleiding. De garantie vervalt bij schade die werd veroorzaakt door verkeerd gebruik of gebrek aan onderhoud.

2.2 Algemene veiligheidsmaatregelen

 **VOORZICHTIG** Gevaar voor letsel en/of beschadiging

Lees de instructies in deze handleiding en volg ze nauwkeurig op.

Houd rekening met de volgende algemene waarschuwingen tijdens het gebruik:

- Gebruik de rolstoel niet indien u onder invloed bent van alcohol, medicijnen of andere substanties die uw rijvermogen verminderen.
- Houd er rekening mee dat sommige onderdelen van uw rolstoel zeer warm of koud kunnen worden door omgevingstemperatuur, de zon of verwarmingstoestellen. Wees daarom voorzichtig bij het aanraken. Draag beschermende kleding bij koud weer. Bij buitengebruik kunnen rijhandschoenen de grip op de aandrijfhoepels verbeteren.
- Er mogen geen aanpassingen of veranderingen gemaakt worden aan de beveiligingspunten of structurele onderdelen van de rolstoel zonder de producent van de rolstoel te contacteren.

Houd er rekening mee dat uw rolstoel, afhankelijk van de gebruikte instelling, bij sommige diefstalsystemen interferentie kan geven. Hierdoor kan het winkelalarm in werking gesteld worden.

Indien zich een ernstig incident heeft voorgedaan met uw product, breng dan Vermeiren of uw gespecialiseerde dealer op de hoogte, evenals de bevoegde autoriteit in uw land.

De volgende symbolen zijn van toepassing op uw rolstoel. De symbolen kan u terugvinden in de relevante ISO-standaard (ISO 7000, ISO 7001 en IEC 417).



Maximum gewicht van de gebruiker in kg



Gebruik voor binnen en buiten



Maximale veilige helling in ° (graden)



Type aanduiding



Risico voor knellen

2.3 Transport

2.3.1 Transport per voertuig, als bagage

1. Als gebruiker stapt u over naar een autozit, zie §3.7.
2. Vouw de rolstoel tot zijn meest compacte formaat volgens de instructies in §2.4.
3. Bewaar de rolstoel en zijn wielen in het bagagecompartiment of achter de passagiersstoel. Als de bagage- en passagierscompartimenten NIET van elkaar gescheiden zijn, bevestig dan het frame van de rolstoel stevig aan het voertuig. U kan hierbij een beschikbare veiligheidsgordel gebruiken. Gebruik nooit dezelfde veiligheidsriem voor de passagier en rolstoel.

2.3.2 Transport per voertuig, als zit voor de gebruiker (enkel voor Trigo met vaste rug)

 WAARSCHUWING Gevaar voor letsel



- Voor Trigo met vouwbare/in hoek verstelbare rug: Gebruik de rolstoel NIET als zit in een voertuig, zie het symbool.
- De rolstoel heeft de crashtest volgens ISO 7176-19: 2008 doorstaan en is zodanig ontworpen en getest om alleen te worden gebruikt als een naar voren gerichte zit in een motorvoertuig. Gemakkelijke toegang tot, en wendbaarheid in, motorvoertuigen kan aanzienlijk worden beïnvloed door de grootte van de rolstoel en de draaicirkel.
- Gebruik de bekkengordel van de rolstoel niet als riem voor inzittenden, deze is hiervoor niet geschikt.
- Gebruik de bekkengordel van de rolstoel en de beschikbare driepuntsgordel in het voertuig om borst- en hoofdimpact met het voertuig te vermijden.
- Gebruik geen lichaamsondersteuning om de gebruiker vast te maken in het voertuig, tenzij deze werden gelabeld als overeenkomstig met de vereisten in ISO 7176-19:2008.
- Na betrokkenheid in enige vorm van botsing, laat dan vóór verder gebruik uw rolstoel inspecteren door uw vakhandelaar of de vertegenwoordiger van de fabrikant.

De rolstoel is getest met een vierpunts rolstoelvastzetsysteem en een driepuntsveiligheidssysteem voor inzittenden.

Probeer zoveel mogelijk gebruik te maken van de zetel van het voertuig en de rolstoel te bewaren in de laadruimte.

Procedure om de rolstoel vast te maken aan het voertuig:

1. Controleer of het voertuig is uitgerust met een geschikt rolstoelvastzetsysteem en een veiligheidssysteem voor inzittenden volgens ISO 10542.
2. Controleer dat de onderdelen van het rolstoelvastzetsysteem en het veiligheidssysteem voor inzittenden niet versleten, vervuild, beschadigd of gebroken zijn.
3. Indien uitgerust met een verstelbare zit en/of een kantelbare rug, controleer of de rolstoelgebruiker zo recht mogelijk zit. Als de toestand van de gebruiker dit niet toe laat, moet een risicoanalyse worden uitgevoerd om de veiligheid van de gebruiker tijdens transport te evalueren.
4. Verwijder alle gemonteerde accessoires zoals dienbladen en beademingsapparatuur en zet ze op een veilige plaats.
5. Positioneer de rolstoel naar voren in de rijrichting, centraal tussen de vastzet rails die zijn vastgemaakt in de vloer van het voertuig.

6. Maak de voorste veiligheidsgordels vast volgens de instructies van het op de aangegeven plaats riem-systeem van de fabrikant (Figuur 1). Deze plaats is gemarkeerd op de rolstoel door een symbool (Figuur 2).
7. Rol de rolstoel naar achteren tot de voorste gordels strak zijn.
8. Zet de remmen van de rolstoel aan.
9. Maak de achterste veiligheidsgordels vast volgens de instructies van het op de aangegeven plaats riem-systeem van de fabrikant (Figuur 1). Deze plaats is gemarkeerd op de rolstoel door een symbool (Figuur 2).



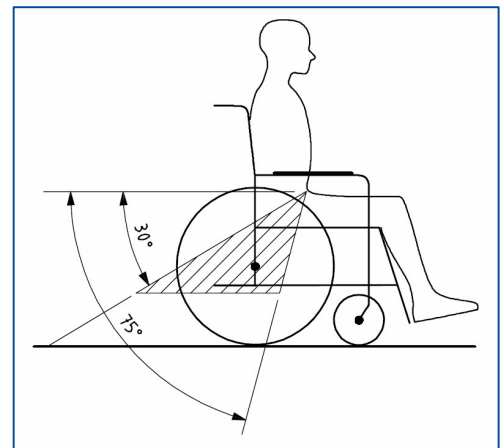
Figuur 1



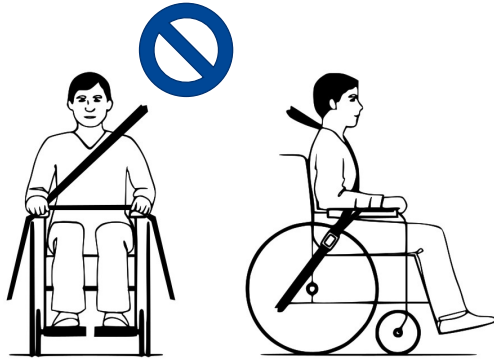
Figuur 2

Procedure om de rolstoelgebruiker vast te maken:

1. Verwijder beide armsteunen.
2. Indien aanwezig, bevestig de rolstoel bekkengordel.
3. Bevestig het veiligheidssysteem voor inzittenden volgens de instructies van het riemsysteem van de fabrikant.
4. Draag de bekkengordel laag over de voorkant van de bekken, zodat de hoek van de bekkengordel binnen de gewenste zone van 30° tot 75° met de horizontale is, zoals op de tekening aangeven.
5. Een steilere (grotere) hoek binnen de gewenste zone is wenselijk.
6. Trek de riem strak aan volgens de instructies van het riem-systeem van de fabrikant en in overeenstemming met het comfort van de gebruiker.
7. Zorg ervoor dat de veiligheidsriem verbonden wordt in een rechte lijn aan het ankerpunt van het voertuig en dat er geen bochten in de riem zichtbaar zijn, bijvoorbeeld op de as van het achterwiel.
8. Installeer de arMLEUNINGEN indien gewenst. Zorg ervoor dat de gordels niet gedraaid zijn of weggehouden worden van het lichaam door rolstoel onderdelen zoals armsteunen of wielen.
9. Plaats de gordelgesp zo dat de ontgrendelingsknop niet geraakt kan worden door onderdelen van de rolstoel bij een botsing.
10. Zorgt ervoor dat de schoudergordel goed over de schouder passen, zie figuur 4.



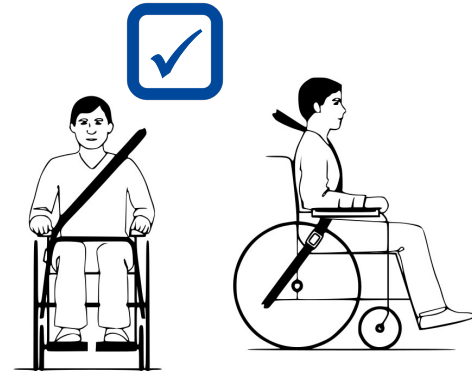
Gordels mogen niet weggehouden worden van het lichaam door rolstoel onderdelen zoals armsteunen of wielen.



Figuur 3 Foutieve gordelbevestiging

De gordels zijn volledig in contact met schouder, borst en bekken.

Bekkengordel laag op het bekken, vlakbij de kruising van dij en bekken



Figuur 4 Correcte gordelbevestiging

2.4 Vouwen - ontvouwen



VOORZICHTIG

Gevaar voor letsel en/of beschadiging

- Zorg ervoor dat uw vingers niet gekneld raken tussen het scharnierpunt van de handgrepen en framekruis.
- Houd steeds rekening met de draaicirkel van de voetplaat om te voorkomen dat voorbijgangers verwond raken, of dat objecten beschadigd raken.

Om de rolstoel te vouwen:

1. Trek het zitkussen omhoog en verwijder het.
2. Afhankelijk van het type voetplaat (8):
 - Open voetplaat: ontgrendel en draai omhoog
 - Vouwbare voetplaat: trek omhoog om te vouwen
3. Neem de voor- en achterkant van de zit (15) in het midden vast, en trek om te sluiten.
4. Duw de zitframebuizen (5) samen.
5. Verwijder de achterwielen indien nodig, zie §2.5.



Om de rolstoel te ontvouwen:

1. Trek de zitframebuizen (5) zijwaarts uit elkaar. Duw het zitframe aan de rechter- en linkerzijde naar beneden totdat de zit vlak is en het frame in zijn plaats vergrendeld is.
2. Plaats de achterwielen indien verwijderd, zie §2.5.
3. Plaats het zitkussen (4) op de velcrobanden van de zit. Zorg ervoor dat de banden van het kussen dwars op de banden van de zit liggen.
4. Afhankelijk van het type voetplaat (8):
 - Open voetplaat: Klap naar beneden tot ze vergrendeld is.
 - Vouwbare voetplaat: duw naar beneden tot ze vergrendeld is.

2.5 Achterwielen (de)monteren

Om de achterwielen te verwijderen

1. Duw op de knop (43) en blijf vasthouden terwijl u de wielas uit de bevestiging schuift.
2. Herhaal dit voor het andere wiel en plaats de rolstoel voorzichtig op de achterste buizen van het frame.

Om de achterwielen te monteren

1. Neem een van de wielen en plaats de rolstoel op één zijde.
2. Duw op de knop (43) en blijf vasthouden terwijl u de wielas in de bevestiging schuift.
3. Laat de knop los om het wiel te vergrendelen. Zorg ervoor dat het wiel op zijn plaats klikt.
4. Herhaal dit voor het tweede wiel.
5. Zorg ervoor dat beide wielen stevig werden vastgezet.



2.6 Opslag

- i** Zorg ervoor dat uw rolstoel droog wordt bewaard om schimmel of schade aan de bekleding te voorkomen, zie hoofdstuk 5.

3 Uw rolstoel gebruiken



VOORZICHTIG

Gevaar voor letsel en/of beschadiging

Houd tijdens gebruik en verstelling uw vingers, gespen, kledij en juwelen uit de buurt van de wielen of bewegende onderdelen.

3.1 Parkeerremmen



VOORZICHTIG

Gevaar voor letsel en/of beschadiging

- Los nooit beide remmen tegelijk.
- De remmen mogen enkel aangepast worden door uw vakhandelaar.
- Gebruik de remmen niet om af te remmen tijdens het rijden.

Duw-trekremmen

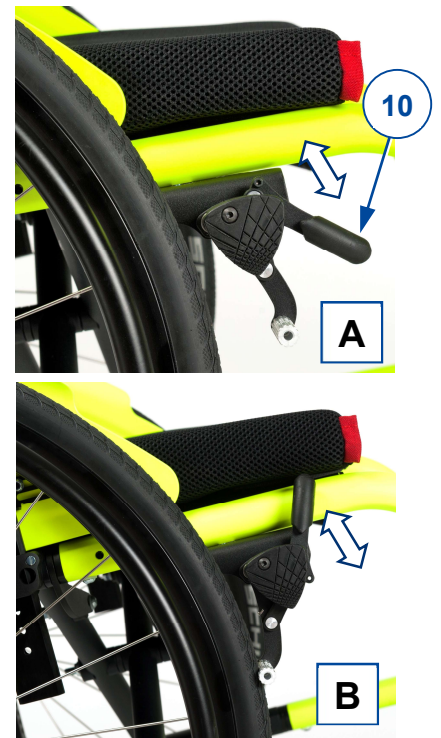
i De duw-trek parkeerrem kan op twee manieren bevestigd worden (richtingen). Dit dient beslist te worden bij bestelling. Afhankelijk van de gekozen richting, wordt de rem bediend door te duwen of trekken.

De remmen lossen [A]:

1. Houd met één hand een van de grijphoepels stevig vast.
2. Duw of trek de remhendel (10) van het ANDERE wiel.
3. Herhaal dit voor het tweede wiel met parkeerrem.

De remmen vastzetten [B]:

1. Houd met één hand een van de grijphoepels stevig vast.
2. Duw of trek de remhendel (10) van het ANDERE wiel totdat u een duidelijke vergrendeling voelt.
3. Herhaal dit voor het tweede wiel met parkeerrem.



Sportremmen

De sportremmen bevinden zich onder de zit.

De remmen lossen:

1. Houd met één hand een van de grijphoepels stevig vast.
2. Trek de remhendel van het ANDERE wiel naar VOOR.
3. Herhaal dit voor het tweede wiel met parkeerrem.

De remmen vastzetten:

1. Houd met één hand een van de grijphoepels stevig vast.
2. Duw de remhendel van het ANDERE wiel naar ACHTER totdat u een duidelijke vergrendeling voelt.
3. Herhaal dit voor het tweede wiel met parkeerrem.



3.2 Handgrepen

Afhankelijk van de gekozen configuratie kan uw rolstoel geleverd worden zonder handgrepen, of hij kan voorzien zijn van normale handgrepen of vouwbare handgrepen.

3.3 Armsteunen - Zijplaten

Afhankelijk van de gekozen configuratie, kan uw rolstoel voorzien worden van verschillende armsteunen:

- Vaste zijplaten zonder armsteunen
- Vaste zijplaten met armsteunen
- Vouwbare buisvormige armsteunen
- Verwijderbare zijplaten

3.4 Vouwbare rugsteun

Om de rugsteun te vouwen op de zit

1. Trek zachtjes aan de rugband (20). De bevestigingspinnen van het vouwmechanisme (21) worden ontgrendeld.
2. Duw de rug neer op de zit.

Om de rugsteun weer recht te zetten

1. Trek de rugsteun omhoog en achterwaarts totdat hij weer op zijn plaats klikt.
2. Zorg ervoor dat beide bevestigingspinnen vergrendeld zijn in de gaten van het vouwmechanisme (21).
3. Controleer dit door de rugsteun te bewegen.



3.5 Anti-tipping (optioneel)

Het anti-tipping mechanisme zorgt ervoor dat uw rolstoel niet achterover kantelt. Wanneer het mechanisme niet gebruikt wordt, kan het zijwaarts weggedraaid worden: trek de verticale bar (16) naar beneden en draai ze volledig richting de voorkant van de stoel totdat ze opnieuw vastklikt.

Om de hoogte van de anti-tipping aan te passen naargelang de positie en grootte van de achterwielen:

1. Draai de sterknop (17) los totdat de binnenste buis van de anti-tipping verschoven kan worden in de bevestiging.
2. Schuif de anti-tipping omhoog/omlaag tot de gewenste positie.
3. Draai de sterknop (17) weer vast aan.

De anti-tipping moet zich steeds ongeveer 15-20 mm boven de grond bevinden.



3.6 Aanpassingen voor comfort



VOORZICHTIG

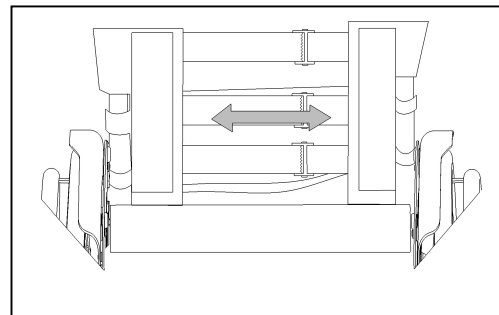
Gevaar voor letsel en/of beschadiging

- De volgende aanpassingen voor comfort kunnen gedaan worden door de begeleider. Alle andere instellingen worden gedaan door de vakhandelaar (zie installatiehandleiding).
- Houd steeds rekening met de draaicirkel van de voetsteun om te voorkomen dat voorbijgangers verwond raken, of dat objecten beschadigd raken.
- Houd tijdens de verstelling uw vingers, gespen, kledij en juwelen uit de buurt van bewegende onderdelen.

3.6.1 Breedte en ondersteuning rugsteun

De rugsteun van de rolstoel heeft een ophangstelsysteem met verstelbare velcrobanden om de breedte en flexibiliteit van de rugsteun aan te passen.

1. Haal het kussen van de rugsteun door het los te trekken van de velcrobanden.
1. Maak de velcrobanden van het suspensiesysteem los.
2. Trek de banden aan tot de gewenste positie. De spanning van de individuele banden kan aangepast worden om de gewenste ondersteuning van de rug te verkrijgen.
3. Plaats het rugkussen terug over de rugsteun, beginnend aan de voorkant.
4. Beveilig de velcrosluitingen door het kussen met uw hand tegen de rugsteun te duwen.
5. Zorg ervoor dat velcrobanden stevig bevestigd zijn.



3.6.2 Rughoogte (verstelbaar in stappen)

1. Verwijder het rugkussen.
2. Duw de veerknop, aan de achterkant van de framebuis, in.
3. Verplaats de rugsteun omhoog/omlaag tot de gewenste hoogte.
4. Zorg ervoor dat de veerknop weer in het overeenkomstige gat klikt.
5. Herhaal voor de andere kant. Zorg ervoor dat beide kanten op dezelfde hoogte werden ingesteld, en dat ze stevig werden vastgezet.

3.6.3 Hoogte handgrepen (traploze aanpassing)

Met hendel

1. Draai de hendel (40) van de handgreep om deze los te zetten.
2. Verplaats de handgreep omhoog/omlaag tot de gewenste hoogte.
3. Zet de handgreep stevig vast door de hendel (40) weer aan te draaien.
4. Herhaal voor de tweede handgreep. Zorg ervoor dat beide handgrepen op dezelfde hoogte werden ingesteld, en dat ze stevig werden vastgezet.



Met draaiknop

1. Draai de sterknop (40) van de handgreep enkele toeren tegen de klok in om deze los te zetten.
2. Verplaats de handgreep omhoog/omlaag tot de gewenste hoogte.
3. Zet de handgreep stevig vast door de sterknop weer met de klok mee aan te draaien.
4. Herhaal voor de andere kant. Zorg ervoor dat beide kanten op dezelfde hoogte werden ingesteld, en dat ze stevig werden vastgezet.



3.7 Transfer in/uit uw rolstoel



CAUTION

Gevaar voor letsel of beschadiging

- Als u de transfer niet op een veilige manier kan uitvoeren, vraag dan hulp.
- Ga niet op de voetplaten staan om in of uit de rolstoel te stappen.

Transfer

1. Plaats de rolstoel zo dicht mogelijk bij de stoel, zetel of het bed waarop u zit.
1. Activeer beide parkeerremmen om de beweging te blokkeren, zie §3.1.
2. Indien mogelijk, vouw de open voetplaat omhoog om te voorkomen dat u erop gaat staan.
3. Beweeg naar/uit uw rolstoel door kracht te zetten op uw armen, of met behulp van een begeleider of liftmaterieel.

Zitten in de rolstoel

1. Ga zitten op de zit met uw onderrug tegen de rugsteun.
2. Indien van toepassing, vouw de open voetplaat naar beneden en plaats uw voeten erop.

3.8 Rijden

**VOORZICHTIG**

Gevaar voor letsel of beschadiging

- Voor gebruik, zorg ervoor dat:
 - de parkeerremmen goed werken.
 - de remmen in goede staat zijn, §4.
- Vermijd dat uw vingers gekneld raken tussen de wielspaken.
- Bedien de aandrijfhoepels niet met natte handen.
- Vermijd dat uw handen gekneld raken tussen de aandrijfhoepels wanneer u door smalle doorgangen rijdt.
- Rijd NIET op hellingen, hindernissen, treden of stoepranden die groter zijn dan beschreven in hoofdstuk 5.
- Wanneer u stopt op een (kleine) helling, gebruik dan de remmen.
- Zorg ervoor dat alle vier wielen de grond raken wanneer u op of af een helling rijdt.
- Neem hellingen zo traag mogelijk.
- Blijf altijd op het voetpad wanneer u op de openbare weg rijdt.
- Pas op als de weg gaten of spleten heeft waardoor de wielen kunnen vastlopen.
- Vermijd stenen en andere objecten die de wielen kunnen blokkeren.
- Zorg ervoor dat de voetplaat de grond niet raakt bij het nemen van een obstakel.
- Gebruik uw rolstoel niet op roltrappen.
- Indien beschikbaar, bevestig uw veiligheidsgordel.
- Houd steeds rekening met de draaicirkel van de voetplaat om te voorkomen dat voorbijgangers verwond raken, of dat objecten beschadigd raken.
- Indien u niet voldoende ervaring heeft om met uw rolstoel te rijden, vraag dan hulp aan een begeleider. Houd dan uw armen uit de buurt van de wielen, en uw voeten op de voetplaat.
- Trappen mogen enkel genomen worden met behulp van twee begeleiders.
- Neem geen trappen die ongepast zijn voor rolstoelen.

3.8.1 Rijden met uw rolstoel:

1. Zet de remmen los.
2. Neem de aandrijfhoepels aan de bovenzijde vast.
3. Leun voorwaarts en duw de hoepels naar voor tot uw armen gestrekt zijn.
4. Neem de aandrijfhoepels weer aan de bovenzijde vast en herhaal de beweging.

4 Onderhoud

4.1 Tijdstippen voor onderhoud



VOORZICHTIG

Gevaar voor letsel of beschadiging

Reparaties en vervangingen mogen enkel uitgevoerd worden door opgeleid personeel, en enkel originele onderdelen van Vermeiren mogen hierbij gebruikt worden.

i De onderhoudsfrequentie hangt af van de frequentie en intensiteit van gebruik. Neem contact op met uw vakhandelaar om een tijdschema vast te leggen voor nazicht/onderhoud/reparatie.

Voor de onderhoudshandleiding kan u de website van Vermeiren raadplegen: www.vermeiren.com.

Voor ieder gebruik

Kijk de volgende punten na:

- Alle onderdelen: aanwezig en niet beschadigd of versleten.
- Alle onderdelen: schoon, zie § 4.2.2.
- Wielen, rugsteun, zit, kuitsteunen, armsteunen, voetplaat: stevig bevestigd.
- Staat van de wielen, zie §4.2.1.
- Staat van de frameonderdelen: geen vervorming, instabiliteit, zwakte of losse verbindingen.
- Zit, rugsteun, armleggers, kuitsteunen en hoofdsteun (indien van toepassing): geen overmatige slijtage (bijv. gedeukte plekken, schade of scheuren).
- Remmen: onbeschadigd en werkend

Contacteer uw vakhandelaar voor eventuele reparaties of vervanging van onderdelen.

Jaarlijks of vaker

Laat uw rolstoel nakijken en onderhouden door uw vakhandelaar, ten minste één keer per jaar of vaker. De minimale onderhoudsfrequentie is afhankelijk van het gebruik en moet daarom besproken worden met uw vakhandelaar.

4.2 Onderhoudsinstructies

4.2.1 Wielen en banden



De goede werking van de remmen hangt af van de staat van de banden, die onderhevig zijn aan slijtage en verontreiniging (water, olie, modder,...).

Houd de wielen vrij van draden, haar, zand en vezels.

Kijk het profiel van de banden na. Als de profieldiepte minder dan 1 mm bedraagt, moeten de banden vervangen worden. Contacteer hiervoor uw vakhandelaar.

Pomp de banden op volgens de correcte spanning (zie drukindicatie op de banden).

4.2.2 Schoonmaak

VOORZICHTIG

Gevaar voor beschadiging door vocht

- Gebruik nooit een tuinslang of hogedrukreiniger om de rolstoel schoon te maken.

Veeg alle harde onderdelen van de rolstoel schoon met een vochtig doek (niet doorweekt). Indien nodig, gebruik een milde zeep die geschikt is voor vernis en synthetische materialen.

De bekleding kan schoon worden gemaakt met lauw water en een milde zeep. Gebruik geen agressieve schoonmaakmiddelen.

4.2.3 Ontsmetting

VOORZICHTIG

Gevaar voor beschadiging

- Ontsmetting mag enkel worden uitgevoerd door getraind personeel. Neem contact op met uw vakhandelaar.

4.3 Probleemoplossing

Ook wanneer u de rolstoel correct gebruikt, is het toch mogelijk dat er een technisch probleem optreedt. Neem in dat geval contact op met uw vakhandelaar.



WAARSCHUWING

Gevaar voor letsel of beschadiging aan de rolstoel

- Probeer NOOIT zelf uw rolstoel te repareren.

De volgende tekenen kunnen wijzen op een ernstig probleem. Neem daarom steeds contact op met uw vakhandelaar als u een van de volgende afwijkingen opmerkt:

- Vreemde geluiden;
- Oneven bandenslijtage op een van de banden;
- Schokkerige bewegingen;
- De rolstoel buigt af naar één kant;
- Beschadigde of kapotte wielmontages.

4.4 Verwachte levensduur

De gemiddelde levensduur van uw rolstoel is 5 jaar. De levensduur zal toenemen of afnemen afhankelijk van de gebruiksfrequentie, rijomstandigheden en onderhoud.

4.5 Hergebruik

Voor ieder hergebruik moet de rolstoel ontsmet, geïnspecteerd en onderhouden worden volgens de instructies in §4.1 en §4.2.

4.6 Beëindiging van gebruik

Op het einde van de levensduur moet u de rolstoel vernietigen volgens de lokale milieuwetgeving. De beste manier om dit te doen, is de rolstoel te demonteren om het vervoer van de recycleerbare onderdelen te vergemakkelijken.

5 Technische specificaties

Onderstaande technische gegevens zijn enkel geldig voor deze rolstoel, met standaard instellingen en optimale omgevingscondities. Houd bij gebruik rekening met deze details.

Deze waarden zijn niet meer van toepassing als uw rolstoel werd gewijzigd, of wanneer hij beschadigd of ernstig versleten is.

Tabel 1: Technische specificaties

Merk	Vermeiren	
Type	Rolstoel	
Model	Trigo S	
Omschrijving	Specificaties	
Max. gewicht van gebruiker	Voor zitbreedte tot 360 mm met enkel kruis: 70 kg Voor zitbreedte van 380 tot 460 mm met 1,5 kruis: 130 kg Voor zitbreedte van 480 tot 500 mm met dubbel kruis: 130 kg	
Statische stabiliteit	5°	
Afmetingen	Min.	Max.
Totale lengte	676 mm	1046 mm
Gedemonteerde lengte (zonder wielen)	650 mm	855 mm
Gedemonteerde breedte (zonder wielen)	386 mm	586 mm
Hoogte gevouwen (afhankelijk van wieldiameters)	457 mm	660 mm
Hoogte rolstoel (afhankelijk van type achterwiel, aanpassingen, handgrepen of rughoogte)	457 mm	945 mm
Hoogte gevouwen zonder wielen	Max. 428 mm	
Zitbreedte	300 mm	500 mm
Totale breedte in mm (24" achterwielen, 0° camber):	460 mm	660 mm
Lengte rolstoel (afhankelijk van zitdiepte, type achterwiel, type voetplaat, aanpassingen)	676 mm	1046 mm
Canvasdiepte - Zitdiepte	320 mm	500 mm
Rughoogte, verstelbaar	(in stappen van 25 mm)	
Niet-vouwbare RS	250 – 300 mm	
Niet-vouwbare RS	300 – 350 mm	
Vouwbare RS	350 – 400 mm	
Vouwbare RS	400 – 450 mm	
Vouwbare RS	450 – 500 mm	
Rughoogte, vast, vouwbaar	(in stappen van 20 mm) 250 – 510 mm	
Zithoogte aan voorste stoelrand, in verhouding tot de voorwielen	(in stappen van 10 mm)	
3" voorwiel	380 – 470 mm	
4" voorwiel	390 – 490 mm	
5" voorwiel	410 – 500 mm	
6" voorwiel	430 – 510 mm	

Zithoogte aan achterste stoelrand, in verhouding tot de achterwielen	(in stappen van 10 mm)
18" achterwiel	315 – 415 mm
20" achterwiel	335 – 435 mm
22" achterwiel	355 – 465 mm
24" achterwiel	385 – 495 mm
26" achterwiel	405 – 515 mm
Afstand tussen zijplaat/spatbord en zit	0 mm
Afstand tussen voetplaat en zit	(in stappen van 20 mm) 220 – 500 mm
Voetsteun lengte, verstelbaar	220 mm 480 mm
Zithoek aanpasbaar	20°
Hoek tussen zit en voetsteun	Fixed, 70° or 80°
Hoek voetplaat en voetsteun	Onbeperkt (traploos)
Gewichten	
Totaal gewicht	Vanaf 11 kg
Gewicht van zwaarste onderdeel (zonder zit- en rugkussen, wielen)	8.2 kg
Gewicht van demonteerbare onderdelen	
Wiel 24"	3.1 kg
Rugkussen	0.4 kg
Zitkussen	0.4 kg
Handgreep (verstelbaar)	0.4 kg
Wielen	
Camberhoek van wielen standaardinstelling, verstelbaar	0° 2° 4° 6°
Voorwielen	3" - 4" - 5" - 6"
Achterwielen	18" – 20" - 22" - 24" - 26"
Diameter aandrijfhoepel	400 mm – 440 mm – 500 mm – 535 mm – 600 mm
Bandendruk, achterwielen	2.5 - 10 bar
Omgeving	
Sterktetesten volgens	ISO 7176-8
Brandweerstand van de bekleding volgens	EN 1021-2
Algemene beoordeling van de gordelvoorziening	C
Opslag- en gebruikstemperatuur	+5 °C ~ +41 °C
Opslag en gebruiksluchtvochtigheid	30% ~ 70%
We behouden ons het recht voor om technische wijzigingen te introduceren. Meettolerantie ± 15 mm / 1,5 kg / 1,5°.	

Vorwort	2
1 Ihr produkt	3
1.1 Zubehör.....	4
2 Vor der benutzung	5
2.1 Vorgesehener Verwendungszweck	5
2.2 Allgemeine Sicherheitshinweise	5
2.3 Transport.....	6
2.4 Falten / Entfalten	8
2.5 (De)Montage der Hinterräder	9
2.6 Lagerung	9
3 Gebrauch ihres rollstuhls	10
3.1 Feststellbremsen	10
3.2 Griffe drücken.....	11
3.3 Armlehnen - Seitenteile	11
3.4 Klappbare Rückenlehne	11
3.5 Kippschutz (optional).....	11
3.6 Komforteinstellungen.....	11
3.7 Transfer in den/aus dem Rollstuhl.....	12
3.8 Fahren.....	13
4 Wartung	14
4.1 Wartungspunkte	14
4.2 Wartungshinweise	14
4.3 Störungsbeseitigung.....	15
4.4 Voraussichtliche Nutzungsdauer	15
4.5 Wiederbenutzung	15
4.6 Nutzungsende	15
5 Technische daten	16

Vorwort

DE

Herzlichen Glückwunsch! Sie sind nun Besitzer eines Vermeiren-Rollstuhls!

Dieser Rollstuhl wurde von versierten und engagierten Mitarbeitern gefertigt. Es entspricht hinsichtlich Konstruktion und Fertigung den hohen Qualitätsstandards von Vermeiren.

Lesen Sie dieses Handbuch daher bitte aufmerksam durch, um sich mit der Bedienung, den Fähigkeiten und Beschränkungen Ihres Rollstuhls vertraut zu machen. Sollten Sie nach der Lektüre dieses Handbuchs noch Fragen haben, können Sie sich jederzeit an Ihren Fachhändler wenden. Er wird Ihnen gerne in dieser Angelegenheit weiterhelfen.

Wichtiger Hinweis

Um Ihre Sicherheit zu gewährleisten und die Nutzungsdauer Ihres Produkts zu verlängern, sollten Sie es gut behandeln und regelmäßig überprüfen und/oder warten lassen.

Dieses Handbuch enthält die neuesten Produktentwicklungen. Vermeiren behält sich das Recht vor, Veränderungen an dieser Art von Produkt vorzunehmen, ohne eine Verpflichtung einzugehen, ähnliche bereits ausgelieferte Produkte anzupassen oder auszutauschen.

Die Abbildungen dienen zur Verdeutlichung der Anweisungen in diesem Handbuch. Das gezeigte Produkt kann in Details von Ihrem Produkt abweichen.

Verfügbare Informationen

Auf unserer Webseite <http://www.vermeiren.com/> finden Sie stets die aktuellste Version der in diesem Handbuch beschriebenen Informationen. Informieren Sie sich bitte regelmäßig auf dieser Website nach eventuell verfügbaren Aktualisierungen.

Sehbehinderte Menschen können sich die elektronische Version dieses Handbuchs herunterladen und mit Hilfe einer Sprachsyntheselösung („Text-to-Speech-Software“) vorlesen lassen.



Benutzerhandbuch

Für Anwender und Fachhändler



Installationsanweisungen

Für Fachhändler



Servicehandbuch für Rollstühle

Für Fachhändler



EG-Konformitätserklärung

1 Ihr produkt

Der Trigo S Rollstuhl ist ein aktiver, faltbarer Rollstuhl mit einer festen Fußplatte und vielen Einstellmöglichkeiten. Es ist leicht zu bedienen und kann sowohl im Innenbereich als auch im Freien verwendet werden.

Der Trigo S ist in mehreren Versionen und mit den Optionen auf unserer Website erhältlich, siehe auch Kapitel 5.

1. Rückenlehne
2. Seitenteil/armstütze
3. Sitz
4. Rahmen
5. Fußplatte
6. Vorderrad
7. Hinterrad
8. Schiebegriff (optional)
9. Fußstütze
10. Bremse
11. Typenschild



1.1 Zubehör

DE

Folgendes Zubehör ist für den Trigo erhältlich:

- Gehstockhalter
- Antikippräder
- Lenkrollen
- Rückenlehnen-Stabilisierungsstange
- Pelot – Seitenstütze links/rechts
- 24-Zoll-Geländeräder
- Gelbedeckungsrand
- Speichenschutz
- Vordere Beckenstütze

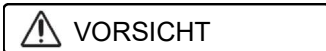
2 Vor der benutzung

Dieses Handbuch gilt für den Rollstuhl Trigo S in allen Konfigurationen.

2.1 Vorgesehener Verwendungszweck

- Dieser Rollstuhl ist für den Innen- und Außenbereich geeignet.
- Dieser Rollstuhl ist ausschließlich für den Transport/Transfer einer (1) Person mit einem maximalen Gewicht gemäß der Konfiguration der technischen Daten in Kapitel 5 bestimmt und hergestellt. Es ist nicht für den Transport von Gütern oder Gegenständen oder für andere Zwecke bestimmt.
- Dieser Rollstuhl soll von dem im Rollstuhl sitzenden Benutzer bedient werden. Wenn Schiebegriffe installiert sind, kann er auch von einer Begleitperson bedient werden.
- Sie dürfen diesen Rollstuhl NICHT benutzen, wenn Sie unter seelischen oder körperlichen Beeinträchtigungen leiden, die Sie oder andere Personen beim Fahren des Rollstuhls in Gefahr bringen könnten. Konsultieren Sie aus diesem Grund zuerst Ihren Arzt und vergewissern Sie sich, dass Ihr Fachhändler über seine Ratschläge informiert ist.
- Verwenden Sie ausschließlich von Vermeiren genehmigte Zubehör- oder Ersatzteile.
- Sehen Sie sich auch die technischen Daten und die Grenzen Ihres Rollstuhls in Kapitel 5 an.
- Die Garantie für dieses Produkt beruht auf dessen normaler Benutzung und Wartung wie in diesem Handbuch beschrieben. Schäden an Ihrem Produkt, die auf unsachgemäße Benutzung oder mangelnde Wartung zurückzuführen sind, führen zum Erlöschen der Garantie.

2.2 Allgemeine Sicherheitshinweise



VORSICHT

Gefahr von Personen- und/oder Sachschäden

Bitte lesen und befolgen Sie die Anweisungen in dieser Bedienungsanleitung,

Beachten Sie bei der Benutzung die folgenden allgemeinen Warnhinweise:

- Benutzen Sie Ihren Rollstuhl nicht, wenn Sie unter dem Einfluss von Alkohol, Medikamenten oder anderen Substanzen stehen, die Ihre Fahrtüchtigkeit beeinträchtigen könnten.
- Beachten Sie, dass bestimmte Teile dieses Rollstuhls infolge der Umgebungstemperatur, Sonneneinstrahlung, Heizkörpern usw. sehr warm oder sehr kalt werden können. Seien Sie daher vorsichtig beim Berühren. Tragen Sie bei kaltem Wetter Schutzbekleidung. Wenn Sie sich im Freien aufhalten, können Reithandschuhe verwendet werden, um den Griff an den Handrändern zu verbessern.
- Ohne vorherige Rücksprache mit dem Hersteller sollten Fixierungspunkte oder Struktur- und Rahmenteile oder -komponenten des Rollstuhls weder verändert noch ersetzt werden.

Bitte beachten sie, dass Ihr Rollstuhl je nach den verwendeten Einstellungen einige Arten von Diebstahlsicherungssystemen beeinträchtigen kann. Dies kann dazu führen, dass der Sicherungsalarm des Shops ausgelöst wird.

Sollte sich ein schwerwiegender Zwischenfall mit Ihrem Produkt ereignet haben, benachrichtigen Sie Vermeiren oder Ihren Fachhändler sowie die zuständige Behörde in Ihrem Land.

Die nachstehend aufgeführten Symbole gelten für Ihren Rollstuhl. Symbole sind in der entsprechenden ISO-Norm (ISO 7000, ISO 7001 und IEC 417) zu finden.



Maximalgewicht des Benutzers (in kg)



(Benutzen drinnen/draußen)



Maximale Neigungssicherheit in ° (Grad).

Typbezeichnung

Einklemmgefahr

2.3 Transport

2.3.1 Transport in einem Fahrzeug (als Gepäck)

1. Als Benutzer steigen Sie auf einen Autositz um, siehe Kapitel 3.7.
2. Falten Sie den Rollstuhl gemäß den Anweisungen in Kapitel 2.4 auf die kleinste Größe.
3. Bewahren Sie den Rollstuhl und seine Räder im Gepäckraum oder hinter dem Beifahrersitz auf. Falls Gepäckraum und Fahrgastzelle NICHT voneinander getrennt sind, muss der Rahmen des Rollstuhls sicher am Fahrzeug befestigt werden. Sie können dafür die im Fahrzeug vorhandenen Sicherheitsgurte benutzen. Benutzen Sie niemals denselben Sicherheitsgurt für Fahrgast und Rollstuhl.

2.3.2 Transport mit einem Fahrzeug, als Sitz für den Benutzer (nur für Trigo mit fester Rückenlehne)

 **WARNUNG** Gefahr von Verletzungen

- Für Trigo mit klappbarer/winkeleinstellbarer Rückenlehne: Benutzen Sie Ihren Rollstuhl NICHT als Sitz in einem Fahrzeug (siehe nächstes Symbol).
- Der Rollstuhl hat den Crashtest gemäß ISO 7176-19: 2008 bestanden und ist somit konstruiert und geprüft, um als nach vorne gerichteter Sitz in einem Kraftfahrzeug verwendet werden zu können. Die Größe des Rollstuhls und sein Wenderadius können den Zugang zu und die Manövrierfähigkeit in Kraftfahrzeugen erheblich beeinflussen.
- Ein Rollstuhlrückhaltegurt ist nicht als Sicherheitsgurt zu verwenden.
- Benutzen Sie den Beckengurt des Rollstuhls und den zugehörigen Drei-Punkte-Gurt im Fahrzeug, um zu verhindern, dass der Insasse mit seinem Kopf oder Brustkorb gegen Fahrzeugteile prallt.
- Verwenden Sie keine Haltungsstützen, um den Benutzer in dem Fahrzeug zurückzuhalten, es sei denn, sie entsprechen den in der ISO 7176-19:2008 spezifizierten Anforderungen.
- Wenn das Fahrzeug in einen Unfall verwickelt war, lassen Sie Ihren Rollstuhl durch den Fachhändler oder den Vertreter des Herstellers überprüfen, bevor Sie ihn wieder benutzen.



Der Rollstuhl wurde getestet unter Verwendung eines 5-Punkt Rückhaltegurtsystems (Rollstuhl) und eines 3-Punkt-Sicherheitsgurtes (Nutzer).

Grundsätzlich ist, wenn möglich, bevorzugt ein vorhandener PKW-Sitz zu verwenden und der Rollstuhl sicher im Gepäckraum zu verstauen.

Sicheres Verzurren des Rollstuhls innerhalb des PKW's:

1. Prüfen Sie, ob der PKW mit einem PKW-Gurtsystem und einem Sicherheitsgurt gemäß ISO 10542 ausgestattet ist.
2. Prüfen Sie, dass alle Komponenten des PKW-Gurtsystems (Rollstuhl) und des Sicherheitsgurtes (Nutzer) nicht ausgefranst, verschmutzt, beschädigt oder geknickt sind.
3. Ist der Rollstuhl mit verstellbaren Sitz-/Rückensystemen ausgestattet, sind diese in eine Position zu bringen, die den Nutzer in eine möglichst aufrechte Sitzposition bringt. Lässt der Zustand des Nutzers dies nicht zu, sind die Risiken die den Transport in einer anderen Position zur Folge haben, festzustellen und zu bewerten.

4. Entfernen Sie alle angebauten Teile und Zubehörteile, wie z.B. Körbe, Taschen, Beatmungsequipment, usw., und verstauen Sie diese gesondert sicher im Gepäckraum.
5. Positionieren Sie den Rollstuhl in Vorwärtsrichtung mittig zwischen den Schienen des PKW-Gurtsystems, die im Boden des PKW's eingebaut sind.
6. Montieren Sie die vorderen Gurte des Rollstuhl-Gurtsystems gemäß den Angaben des jeweiligen Herstellers an den angegebenen Positionen am Rollstuhl (Abb. 1). Diese Stellen sind am Rollstuhl mit einem Symbol markiert (Abb. 2).
7. Ziehen Sie den Rollstuhl soweit nach hinten, bis die vorderen Gurte gespannt sind.
8. Betätigen Sie nun die Bremsen des Rollstuhls.
9. Montieren Sie die hinteren Gurte des Rollstuhl-Gurtsystems gemäß den Angaben des jeweiligen Herstellers an den angegebenen Positionen am Rollstuhl (Abb. 1). Diese Stellen sind am Rollstuhl mit einem Symbol markiert (Abb. 2).



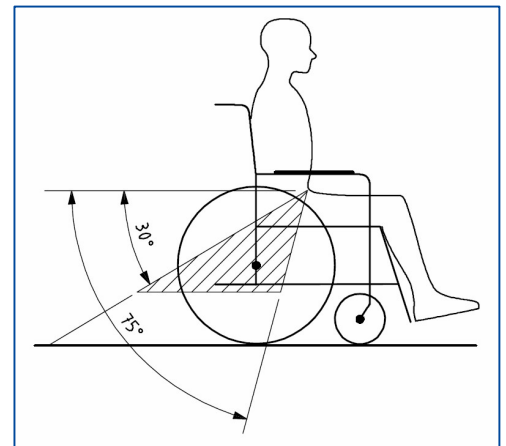
Abbildung 1



Abbildung 2

Sicheres Anschnallen des Nutzers:

1. Entfernen Sie beide Armlehnen des Rollstuhls.
2. Wenn vorhanden, legen Sie den Rollstuhlgurt an.
3. Legen Sie den Sicherheitsgurt des PKW's an gemäß den Angaben des jeweiligen Herstellers.
4. Legen Sie den Gurt so über dem vorderen Becken des Nutzers an, dass der Gurtriemen in einem Winkel zwischen 30° und 75° Grad zur Horizontalen liegt (siehe auch die Abbildung).
5. Je größer (steiler) der Winkel des Gurtriemens innerhalb der markierten Fläche, desto besseren Halt kann das Gurtsystem bieten.
6. Legen Sie den Gurt stramm gemäß den Angaben des jeweiligen Herstellers an, ohne den Nutzer zu verletzen oder zu behindern.
7. Stellen Sie sicher, dass die Gurte in einer direkten Linie zur Gurtaufhängung des PKW's angebracht werden und dass keine Knicke und Verdrehungen in den Riemen sichtbar sind, zum Beispiel durch die Hinterradachse.
8. Die Armlehnen können angebracht werden. Stellen Sie sicher, dass die Gurte nicht verdreht sind und der Gurt stramm am Körper des Nutzers liegt. Bauteile des Rollstuhls (Armlehnen, Räder usw.) dürfen den Gurt nicht vom Körper des Nutzers ferngehalten.
9. Positionieren Sie das Gurtschloss so, dass der Freigabeknopf bei einem Unfall nicht durch Rollstuhlteile berührt werden kann.
10. Achten Sie darauf, dass die Schultergurte über den Schultern liegen, siehe Abbildung 4.



DE

Die Gurte dürfen nicht durch Rollstuhlteile wie Armstützen oder Räder von dem Körper ferngehalten werden.

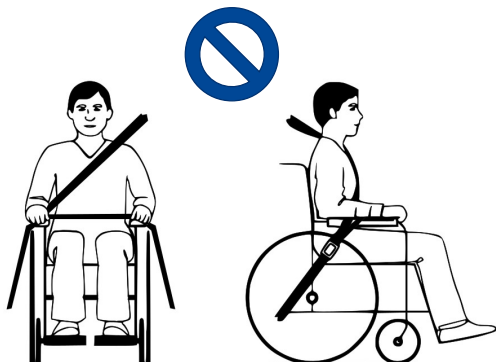


Abbildung 3 Gurt nicht korrekt angelegt

Die Gurte müssen vollen Kontakt mit Schulter, Brustkorb und Becken haben.

Beckengurt im unteren Beckenbereich nahe dem Übergang zwischen Bauch und Oberschenkel.

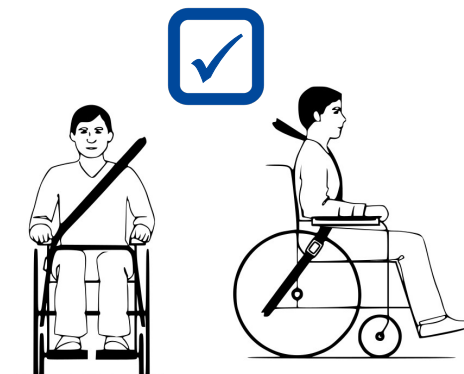


Abbildung 4 Gurt korrekt angelegt

2.4 Falten / Entfalten

⚠ VORSICHT

Gefahr von Personen- und/oder Sachschäden

- Stellen Sie sicher, dass Ihre Finger nicht am Drehpunkt der Griffe und des Rahmenkreuzes eingeklemmt werden.
- Berücksichtigen Sie stets den Schwenkbereich der Fußplatte, um keine Passanten zu verletzen oder Gegenstände zu beschädigen.

So falten Sie den Rollstuhl zusammen:

1. Ziehen Sie am Sitzkissen und entfernen Sie es.
2. Je nach Art der Fußplatte (8):
 - Fußplatte öffnen: Entsperren und drehen Sie sie nach oben
 - Faltbare Fußplatte: Ziehen Sie sie zum Falten nach oben
3. Ergreifen Sie die Vorder- und Rückseite des Sitzes (15) in der Mitte und ziehen Sie, um ihn zu schließen.
4. Schieben Sie die Sitzrahmenrohre (5) zusammen.
5. Entfernen Sie ggf. die Hinterräder, siehe Kapitel 2.5.



So entfalten Sie den Rollstuhl:

1. Ziehen Sie die Sitzrahmenrohre (5) nach außen und drücken Sie den Sitzrahmen an der linken und rechten Seite nach unten, bis der Sitz flach und der Rahmen eingerastet ist.
2. Wenn entfernt, montieren Sie die Hinterräder, siehe Kapitel 2.5.
3. Legen Sie das Sitzkissen (4) auf die Klettbander des Sitzes. Stellen Sie sicher, dass die Gurte des Sitzkissens quer über den Gurten des Sitzes liegen.
4. Je nach Art der Fußplatte (8):
 - Fußplatte öffnen: Drehen Sie sie nach unten, bis sie einrastet.
 - Faltbare Fußplatte: Schieben Sie sie nach unten, bis sie blockiert ist.

2.5 (De)Montage der Hinterräder

So entfernen Sie die Hinterräder

1. Halten Sie die Taste (43) gedrückt, während Sie die Radachse aus dem Loch im Rahmen schieben.
2. Wiederholen Sie dies für das andere Rad und setzen Sie den Rollstuhl vorsichtig auf die hinteren Rahmenrohre.

So montieren Sie die Hinterräder

1. Nehmen Sie eines der Hinterräder und heben Sie den Rollstuhl an einer Seite an.
2. Halten Sie die Taste (43) gedrückt, während Sie das Rad vollständig auf die Achse schieben.
3. Lassen Sie die Taste los, um das Rad zu verriegeln. Stellen Sie sicher, dass es einrastet.
4. Wiederholen Sie dies für das andere Rad.
5. Stellen Sie sicher, dass beide Räder fest sitzen.



2.6 Lagerung

- i** Stellen Sie sicher, dass Ihr Rollstuhl in einer trockenen Umgebung gelagert wird, um Schimmelbildung und die Beschädigung der Polsterung zu vermeiden, siehe auch Kapitel 5.

3 Gebrauch ihres rollstuhls

VORSICHT

Gefahr von Verletzungen und/oder Beschädigungen

Stellen Sie sicher, dass Ihre Hände, Kleidung, Gürtel, Schnallen oder Schmuck während des Gebrauchs oder der Einstellung nicht von Rädern oder anderen beweglichen Teilen eingeklemmt werden.

3.1 Feststellbremsen

VORSICHT

Gefahr von Personen- und/oder Sachschäden

- Lösen Sie niemals beide Bremsen gleichzeitig.
- Die Bremsen dürfen nur von Ihrem Fachhändler eingestellt werden.
- Benutzen Sie die Feststellbremsen keinesfalls, um den in Bewegung befindlichen Rollstuhl abzubremsen.

Push-Pull-Bremsen

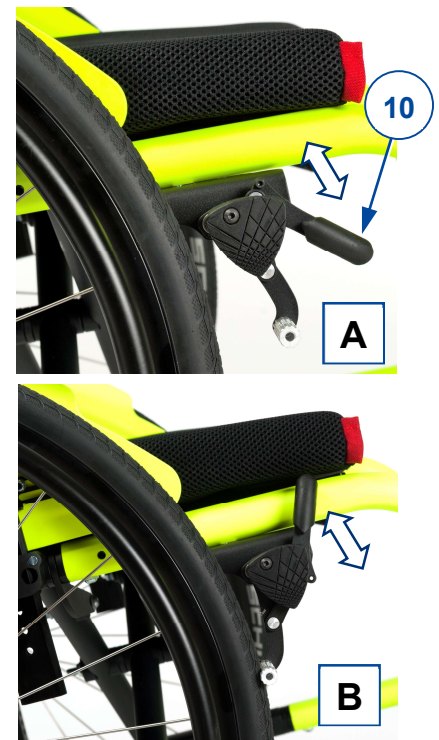
i Die Push-Pull-Feststellbremse kann auf zwei Arten (Richtungen) montiert werden, die bei der Bestellung des Rollstuhls festgelegt werden. Je nach gewählter Richtung muss die Bremse zur Betätigung gedrückt oder gezogen werden.

Bremsen lösen [A]:

1. Halten Sie mit einer Hand einen der Greifringe fest.
2. Drücken oder ziehen Sie den Bremshebel (10) des ANDEREN Rades.
3. Wiederholen Sie dies für das zweite Rad und die Feststellbremse.

Bremsen anwenden (B):

1. Halten Sie mit einer Hand einen der Greifringe fest.
2. Ziehen oder drücken Sie den Bremshebel (10) des ANDEREN-Rades, bis Sie ein deutliches Blockieren spüren.
3. Wiederholen Sie dies für das zweite Rad und die Feststellbremse.



Sportbremsen

Die Sportbremsen befinden sich unter dem Sitz.

Bremsen lösen:

1. Halten Sie mit einer Hand einen der Greifringe fest.
2. Ziehen Sie den Griff des ANDEREN Rades nach VORN.
3. Wiederholen Sie dies für das zweite Rad und die Feststellbremse.

Bremsen anwenden:

1. Halten Sie die Greifringe mit einer Hand fest.
2. Drücken Sie den Bremshebel (10) des ANDEREN Rades nach HINTEN, bis Sie spüren, dass es arretiert ist.
3. Wiederholen Sie diesen Vorgang für das zweite Rad und die Feststellbremse.



3.2 Griffe drücken

Abhängig von den gewählten Konfigurationen kann Ihr Rollstuhl ohne Schiebegriffe geliefert werden oder er kann mit normalen oder klappbaren Griffen versehen werden.

3.3 Armlehnen - Seitenteile

Je nach gewählter Konfiguration kann Ihr Rollstuhl mit verschiedenen Armlehnen ausgestattet werden:

- Feste Seitenteile ohne Armlehnen
- Feste Seitenteile mit Armlehnen
- Faltbare Armlehnen
- Abnehmbare Seitenteile

3.4 Klappbare Rückenlehne

So klappen Sie die Rückenlehne auf den Sitz

1. Ziehen Sie vorsichtig am hinteren Gurt (20). Die Sicherungsstifte des Klappmechanismus (21) werden freigegeben.
2. Drücken Sie die Rückenlehne auf den Sitz.

Hochziehen der Rückenlehne

1. Ziehen Sie die Rückenlehne nach oben, bis sie einrastet.
2. Stellen Sie sicher, dass beide Sicherungsstifte in den Löchern des Klappmechanismus (21) eingerastet sind.
3. Überprüfen Sie dies durch Bewegen der Rückenlehne.



3.5 Kippschutz (optional)

Die Kippschutzvorrichtung verhindert, dass Ihr Rollstuhl nach hinten kippt. Wenn die Vorrichtung nicht benötigt wird, kann sie zur Seite geschwenkt werden. Ziehen Sie die vertikale Stange (16) nach unten und drehen Sie sie zur Vorderseite des Stuhls, bis sie einrastet.

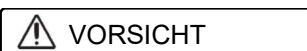
So passen Sie die Höhe der Kippschutzvorrichtung an die Position und Größe der Hinterräder an:

1. Lösen Sie die Sternschraube (17), bis sich das Innenrohr des Kippschutzes in der Halterung bewegen lässt.
2. Schieben Sie den Kippschutz nach oben / unten bis zur gewünschten Position.
3. Ziehen die die Sternschraube (17) wieder fest.

Der Kippschutz sollte sich etwa 15 bis 20 mm über dem Boden befinden.



3.6 Komforteinstellungen



Gefahr von Verletzungen und/oder Beschädigungen

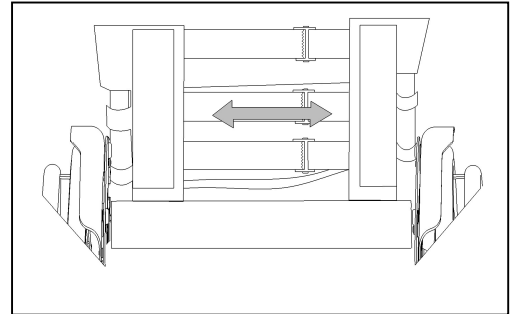
- Die folgenden Komforteinstellungen können von der Begleit- oder der Pflegeperson vorgenommen werden. Alle anderen Einstellungen werden von Ihrem Fachhändler vorgenommen (siehe Montageanleitung).
- Behalten Sie stets den Schwenkbereich der Fußstütze im Auge, um zu vermeiden, dass umstehende Personen verletzt oder Gegenstände beschädigt werden.
- Stellen Sie sicher, dass Ihre Finger, Kleidung und Schnallen während der Einstellung nicht verfangen werden.

DE

3.6.1 Rückenlehne Breite und

Die Rückenlehne des Rollstuhls verfügt über ein Aufhängesystem mit verstellbaren Klettverschlüssen, um die Breite und Flexibilität der Rückenlehne einzustellen.

1. Ziehen Sie das Rückenkissen von den Klettverschlüssen der Rückenlehne ab.
2. Lösen Sie die Klettverschlüsse.
3. Ziehen Sie den jeweiligen Gurt in die gewünschte Position. Die Spannung der einzelnen Gurte kann variiert und damit die gewünschte Unterstützung des Rückens eingestellt werden.
4. Legen Sie das Rückenkissen beginnend auf der Vorderseite und auf der Rückseite endend über die Rückenlehne.
5. Sichern Sie die Klettverbindungen, indem Sie das Kissen mit der Hand gegen die Rückenlehne drücken.
6. Stellen Sie sicher, dass alle Gurte mit einem Klettverschluss gesichert sind.



3.6.2 Rückenlehnenhöhe (Stufenverstellung)

1. Entfernen Sie das Rückenkissen.
2. Drücken Sie den Federknopf auf der Rückseite des hinteren Rahmenrohrs.
3. Bewegen Sie die Rückenlehne nach oben/unten auf die gewünschte Höhe.
4. Stellen Sie sicher, dass der Federknopf wieder in das entsprechende Loch einrastet.
5. Wiederholen Sie dies für die andere Seite. Stellen Sie sicher, dass beide Seiten auf die gleiche Höhe eingestellt sind und sicher befestigt sind.

3.6.3 Schiebegriffhöhe (stufenlose Einstellung)

Befestigungshebel

1. Drehen Sie den Drückerhebel (40), um ihn zu lösen.
2. Bewegen Sie den Schiebegriff auf die gewünschte Höhe nach oben/unten.
3. Sichern Sie den Griff, indem Sie den Hebel (40) festziehen.
4. Wiederholen Sie den Vorgang für den zweiten Schiebegriff. Stellen Sie sicher, dass beide Griffe auf die gleiche Höhe eingestellt sind und fest sitzen.



Befestigungsknauf

1. Drehen Sie den Knauf am Schiebegriff (30) einige Umdrehungen gegen den Uhrzeigersinn.
2. Bewegen Sie den Schiebegriff auf die gewünschte Höhe nach oben/unten.
3. Sichern Sie den Griff, indem Sie den Knauf im Uhrzeigersinn anziehen.
4. Wiederholen Sie dies für die andere Seite. Stellen Sie sicher, dass beide Seiten auf die gleiche Höhe eingestellt sind und sicher befestigt sind.



3.7 Transfer in den/aus dem Rollstuhl

VORSICHT

Gefahr von Verletzungen und Schäden

- Falls Sie die Übertragung nicht auf sichere Weise durchführen können, bitten Sie jemanden, Ihnen zu helfen.
- Stellen Sie sich nicht auf die Fußplatte, wenn Sie in den Rollstuhl ein- oder aussteigen.

Transfer

1. Stellen Sie den Rollstuhl möglichst dicht neben sich, wenn Sie in einem Sessel, auf einem Sofa, Stuhl oder Bett sitzen.
2. Betätigen Sie beide Feststellbremsen, um die Bewegung zu blockieren, siehe Kapitel 3.1.
3. Klappen Sie die offene Fußplatte(n) nach oben, um sich nicht auf sie zu stellen.
4. Bewegen Sie sich aus eigener Kraft mit den Armen oder mit Hilfe von Dritten in den Rollstuhl hinein oder aus ihm heraus.

Sitzen im Rollstuhl

1. Setzen Sie sich so hin, dass Ihr unterer Rücken an der Rückenlehne anliegt
2. Klappen Sie die Fußplatte(n) wieder herunter und stellen Sie Ihre Füße darauf.

3.8 Fahren



VORSICHT

Gefahr von Verletzungen und Schäden

- Achten Sie vor jeder Benutzung auf Folgendes:
 - Feststellbremsen funktionieren einwandfrei.
 - Reifen sind in gutem Zustand, siehe Kapitel 4.
- Verhindern Sie, dass Ihre Finger von den Radspeichen erfasst werden.
- Fassen Sie die Greifringe nicht mit nassen Händen an.
- Verhindern Sie das Einklemmen Ihrer Hände an den Greifringen, wenn Sie schmale Passagen passieren.
- Fahren Sie NICHT auf Steigungen, Hindernissen, Stufen oder Bordsteinen, die größer sind als in Kapitel 5 angegeben.
- Wenn Sie auf einem (kleinen) Hang stehen bleiben, benutzen Sie die Bremsen.
- Achten Sie bei Bergauf- oder -abfahrten darauf, dass alle vier Räder Bodenkontakt haben.
- Fahren Sie auf Gefällen so langsam wie möglich.
- Bleiben Sie auf öffentlichen Straßen immer auf der Straße.
- Achten Sie darauf, wenn die Straße Löcher oder Lücken aufweist, die zum Einschluss der Räder führen können.
- Vermeiden Sie Steine und andere Gegenstände, die die Räder blockieren könnten.
- Stellen Sie sicher, dass die Fußplatte nicht den Boden berührt, wenn Sie ein Hindernis nehmen.
- Verwenden Sie Ihren Rollstuhl nicht auf einer Rolltreppe.
- Falls vorhanden, tragen Sie Ihren Sicherheitsgurt.
- Berücksichtigen Sie stets den Schwenkbereich der Fußplatte, um keine Passanten zu verletzen oder Gegenstände zu beschädigen.
- Wenn Sie nicht genug Erfahrung mit dem Rollstuhl haben, wenden Sie sich an einen Begleiter. Halten Sie Ihre Arme von den Rädern fern und halten Sie die Füße auf der Fußplatte.
- Treppen sollten immer mit Hilfe von zwei Begleitpersonen verhandelt werden.
- Versuchen Sie niemals Treppen zu benutzen, die nicht für Rollstühle geeignet sind.

3.8.1 Ihren Rollstuhl fahren:

1. Lösen Sie die Bremsen.
2. Bringen Sie beide Greifring in die höchste Position.
3. Lehnen Sie sich nach vorne und drücken Sie die Greifringe nach vorne, bis Ihre Arme gerade sind.
4. Bewegen Sie Ihre Hände zurück an die Oberseite der Greifringe und wiederholen Sie die Bewegung.

4 **Wartung**

DE

4.1 **Wartungspunkte**

**VORSICHT**

Gefahr von Verletzungen und Schäden

Reparaturen und Teileaustausch dürfen nur von geschultem Personal durchgeführt werden und es dürfen nur Originalersatzteile von Vermeiren verwendet werden.



Die Wartungshäufigkeit hängt von der Häufigkeit und Intensität der Nutzung ab. Wenden Sie sich an Ihren Händler, um einen allgemeinen Zeitplan für Inspektion/Wartung/Reparatur zu vereinbaren.

Hinweise zur Wartung entnehmen Sie bitte der Website von Vermeiren: www.vermeiren.com.

Vor jeder Benutzung

Kontrollieren Sie folgende Punkte:

- Alle Komponenten: Vorhanden und nicht beschädigt oder verschlissen sind.
- Alle Komponenten: Reinigung, siehe Kapitel 4.2.2.
- Räder, Rückenlehne, Sitz, Wadenlehnen, Armlehnen, Fußplatte: Sind korrekt gesichert.
- Zustand der Räder/Reifen (siehe Kapitel 4.2.1).
- Zustand der Rahmenteile: Keine Deformation, Instabilität, Schwachstelle oder lose Verbindungen.
- Sitz, Rückenlehne, Armpolster, Wadenpolster und Kopfstütze (falls vorhanden): Kein übermäßiger Verschleiß (wie Eindellungen, Beschädigungen oder Risse).
- Bremsen: Unbeschädigt und funktionsfähig.

Wenden Sie sich wegen etwaiger Reparaturen oder Ersatzteile an Ihren Fachhändler.

Jährlich oder häufiger

Lassen Sie Ihren Rollstuhl mindestens einmal pro Jahr oder häufiger von Ihrem Fachhändler inspizieren und warten. Die minimale Wartungshäufigkeit ist von der Benutzung abhängig und sollte daher zusammen mit Ihrem Fachhändler abgesprochen werden.

4.2 **Wartungshinweise**

4.2.1 **Räder und Reifen**



Die korrekte Funktionsweise der Bremsen ist vom Zustand der Reifen abhängig und kann sich infolge von Verschleiß und Verunreinigung (Wasser, Öl, Matsch usw.) verändern.

Achten Sie darauf, dass keine Drähte, Haare, Sand oder Fasern an den Rädern anhaften. Überprüfen Sie regelmäßig das Reifenprofil. Wenn die Profiltiefe weniger als 1 mm beträgt, muss der Reifen ausgetauscht werden. Wenden Sie sich diesbezüglich bitte an Ihren Fachhändler. Pumpen Sie jeden Reifen mit dem korrekten Druck auf (siehe Angabe auf dem Reifen).

4.2.2 **Reinigung**

VORSICHT

Beschädigungsgefahr durch Feuchtigkeit

- Benutzen Sie keinesfalls einen Wasserschlauch oder Hochdruckreiniger, um den Rollstuhl zu reinigen.

Wischen Sie alle festen Teile des Rollstuhls mit einem feuchten (nicht durchnässten) Tuch ab. Benutzen Sie ggf. eine milde Seife, die für Lacke und Kunststoffe geeignet ist.

Die Polsterung kann mit lauwarmem Wasser und einer milden Seife gereinigt werden. Verwenden Sie keine scheuernden Reinigungsmittel.

4.2.3 Desinfektion

VORSICHT

Beschädigungsgefahr

- Eine Desinfektion darf nur von dafür geschultem Personal durchgeführt werden. Wenden Sie sich hierfür an Ihren Fachhändler.

4.3 Störungsbeseitigung

Auch bei ordnungsgemäßer Benutzung Ihres Rollstuhls kann ein technisches Problem auftreten. In diesem Fall wenden Sie sich bitte an Ihren Fachhändler.



WARNUNG

Gefahr von Verletzungen und Schäden am Rollstuhl.

- Versuchen Sie NIEMALS, Ihren Rollstuhl selbst zu reparieren.

Die nachstehend genannten Symptome können auf ein ernsthaftes Problem hindeuten. Sie sollten sich daher stets an Ihren Fachhändler wenden, wenn eine der folgenden Situationen eintritt:

- Ungewöhnliche Geräusche
- Ungleichmäßige Abnutzung an einem der Reifen
- Ruckartige Bewegungen
- Rollstuhl zieht zu einer Seite
- Beschädigte oder gebrochene Radeinheiten

4.4 Voraussichtliche Nutzungsdauer

Die durchschnittliche Nutzungsdauer Ihres Rollstuhls beträgt 5 Jahre. Je nach Nutzungshäufigkeit, Betriebsbedingungen und Wartung kann die Nutzungsdauer Ihres Rollstuhls länger oder kürzer sein.

4.5 Wiederbenutzung

Lassen Sie den Rollstuhl vor jeder Wiederbenutzung desinfizieren, inspizieren und entsprechend den Anweisungen in Abschnitt 4.1 und 4.2 warten.

4.6 Nutzungsende

Am Ende seiner Nutzungsdauer muss Ihr Rollstuhl gemäß den geltenden Umweltvorschriften entsorgt werden. Dazu wird er im besten Fall zerlegt, um den Transport wiederverwertbarer Teile zu erleichtern.

5 Technische daten

Die nachstehenden technischen Daten gelten für diesen Rollstuhl nur bei Standardeinstellungen und optimalen Umgebungsbedingungen. Berücksichtigen Sie diese Details bei der Benutzung.

Die Werte gelten nicht mehr, falls Ihr Rollstuhl modifiziert wurde, beschädigt ist oder starke Verschleißerscheinungen aufweist.

Tabelle 1: Technische Daten

Marke	VERMEIREN	
Typ	Rollstuhl	
Modell	Trigo S	
Beschreibung	Technische Daten	
Max. Benutzergewicht	Für Sitzbreite bis 360 mm mit einfachem Rücken: 70 kg Für Sitzbreite bis 380 bis 460 mm mit 1,5-fachen Rücken: 130 kg Für Sitzbreite bis 480 bis 500 mm mit doppeltem Rücken: 130 kg	
Statische Stabilität	5°	
Abmessungen	Min.	Max.
Gesamtlängen	676 mm	1046 mm
Demontierte Länge (Räder demontiert)	650 mm	855 mm
Demontierte Breite (Räder demontiert)	386 mm	586 mm
Gefaltete Höhe (abhängig vom Raddurchmesser)	457 mm	660 mm
Rollstuhlhöhe (abhängig von der Art des Hinterrads, Verstellung, Schiebegriff oder Rückenlänge)	457 mm	945 mm
Gefaltete Höhe ohne Räder	Max. 428 mm	
Sitzbreite	300 mm	500 mm
Gesamtbreite in mm (24-Zoll-Hinterräder, 0° Sturz):	460 mm	660 mm
Länge des Rollstuhls (abhängig von Sitztiefe, Hinterradtyp, Fußplattentyp, Einstellung)	676 mm	1046 mm
Gewebetiefe - Sitztiefe	320 mm	500 mm
Rückenlehne höhenverstellbar	(in Stufen von 25 mm)	
Nicht faltbare RL	250 - 300 mm	
Nicht faltbare RL	300 - 350 mm	
Faltbare RL	350 - 400 mm	
Faltbare RL	400 - 450 mm	
Faltbare RL	450 - 500 mm	
Rückenlehne, fest, faltbar	(in Stufen von 20 mm) 250 - 510 mm	
Sitzhöhe an der vorderen Sitzkante, bezogen auf die Vorderräder	(in Stufen von 10 mm)	
76 mm vom Vorderrad	380 - 470 mm	
100 mm vom Vorderrad	390 - 490 mm	
127 mm vom Vorderrad	410 - 500 mm	
152 mm vom Vorderrad	430 - 510 mm	

Sitzhöhe an der hinteren Sitzkante, bezogen auf die Vorderräder	(in Stufen von 10 mm)
18-Zoll-Hinterräder	315 - 415 mm
20-Zoll-Hinterräder	335 - 435 mm
22-Zoll-Hinterräder	355 - 465 mm
24-Zoll-Hinterräder	385 - 495 mm
26-Zoll-Hinterräder	405 - 515 mm
Abstand zwischen Seitenplatte/Schutzblech und Sitz	0 mm
Abstand zwischen Fußplatte und Sitz	(in Stufen von 20 mm) 220 - 500 mm
Fußstützenlänge, einstellbar	220 mm 480 mm
Sitzflächenwinkel, stufenlos einstellbar	20°
Winkel zwischen Sitz und Fußstütze	Fest, 70° oder 80°
Winkel zwischen Fußplatte und Fußstütze	Unbegrenzt (stufenlos)
Gewichte	
Gesamtgewicht	Ab 11 kg
Gewicht des schwersten Teils (ohne Sitz- und Rückenkissen, Räder)	8,2 kg
Gewicht der abnehmbaren Teile:	
24-Zoll-Räder	3,1 kg
Rückenlehnenkissen	0,4 kg
Sitzkissen	0,4 kg
Schiebegriff (optional)	0,4 kg
Räder	
Voreingestellter Sturzwinkel der Hinterräder	0° 2° 4° 6°
Vorderräder	3 Zoll - 4 Zoll - 5 Zoll - 6 Zoll
Hinterräder	18 Zoll – 20 Zoll - 22 Zoll - 24 Zoll – 26 Zoll
Greifringdurchmesser	400 mm - 440 mm - 500 mm - 535 mm - 600 mm
Reifendruck Hinterräder	2,5 - 10 bar
Umfeld	
Festigkeitsprüfung gemäß	ISO 7176-8
Entzündbarkeit der Polsterung gemäß	EN 1021-2
Gesamtbewertung der Anschlammöglichkeiten	C
Benutzungs- und Lagerungstemperatur	+5 °C ~ +41 °C
Benutzungs- und Lagerungsfeuchte	30 % ~ 70 %
Technische Änderungen jederzeit vorbehalten. Messtoleranz ±15 mm/1,5 kg/1,5°	

Sommaro

IT

Sommaro	1
Premessa	2
1 Il prodotto	3
1.1 Accessori.....	4
2 Prima dell'uso	5
2.1 Utilizzo previsto	5
2.2 Sicurezza	5
2.3 Trasporto	6
2.4 Chiusura - apertura	8
2.5 (S)montaggio delle ruote posteriori	9
2.6 Magazzinaggio	9
3 Utilizzo della carrozzina	10
3.1 Freni	10
3.2 Maniglie di spinta	10
3.3 Braccioli, protezione abiti	11
3.4 Schienale ripiegabile (optional)	11
3.5 Dispositivo anti-ribaltamento (optional)	11
3.6 Regolazioni	11
3.7 Trasferimento alla/dalla carrozzina.....	12
3.8 Spostamenti	13
4 Manutenzione	14
4.1 Frequenza di manutenzione	14
4.2 Istruzioni per la manutenzione	14
4.3 Soluzione dei problemi di funzionamento.....	15
4.4 Durata prevista.....	15
4.5 Utilizzi successivi.....	15
4.6 Fine vita.....	15
5 Specifiche tecniche	16

Premessa

Congratulazioni! Ora possiede una carrozzina Vermeiren!

Questa carrozzina è realizzata da personale qualificato e competente. Essa è progettata e prodotta secondo gli elevati standard di qualità garantiti da Vermeiren.

Leggere attentamente questo manuale, in quanto aiuta a familiarizzare con il funzionamento, le prestazioni e le limitazioni della carrozzina. Per eventuali ulteriori domande successive alla lettura di questo manuale, rivolgersi al proprio rivenditore specializzato, che sarà lieto di fornire un supporto.

Nota importante

Per garantire la propria sicurezza e prolungare la durata del prodotto, trattarlo con cura e farlo controllare e/o sottoporlo a manutenzione con regolarità.

Questo manuale rispecchia gli sviluppi più recenti del prodotto. Vermeiren si riserva il diritto di introdurre modifiche di questo tipo di prodotto senza alcun obbligo di adattare o sostituire i prodotti analoghi consegnati in precedenza.

Le immagini vengono utilizzate per chiarire le istruzioni contenute nel manuale. I dettagli del prodotto raffigurato possono essere diversi da quelli del prodotto in uso.

Informazioni disponibili

Sul sito Web di Vermeiren, all'indirizzo <http://www.vermeiren.com/>, è sempre disponibile la versione più recente delle informazioni contenute in questo manuale. Visitare con regolarità tale sito per verificare l'esistenza di eventuali aggiornamenti.

Le persone ipovedenti possono scaricare la versione elettronica di questo manuale e farlo leggere da un software applicativo di sintesi vocale.



Manuale di istruzioni

Per l'utente e il rivenditore specializzato



Istruzioni di installazione

Per il rivenditore specializzato



Manuale di assistenza per le carrozzine

Per il rivenditore specializzato



Dichiarazione di conformità CE

1 Il prodotto

Le Trigo S sono carrozzine attive ripiegabili con una pedana fissa e una vasta gamma di opzioni di regolazione. Questi modelli sono di facile funzionamento, e possono essere utilizzati sia all'interno che all'esterno. I modelli Trigo S sono disponibili in varie versioni e con le opzioni illustrate sul sito Web di Vermeiren; vedere anche il § 5.

IT

1. Schienale
2. Protezione abiti / bracciolo
3. Sedile
4. Telaio
5. Piatto pedana
6. Ruota anteriore
7. Ruota posteriore
8. Maniglia di spinta (opzionale)
9. Pedana
10. Freno
11. Etichetta



1.1 Accessori

Per il modello Trigo sono disponibili i seguenti accessori:

- Supporto per stampelle
- Ruota anti-ribaltamento
- Ruotine ascensore
- Barra di stabilizzazione dello schienale
- Pelotte – supporti laterali sinistro/destro
- Ruote fuoristrada da 24”
- Corrimano con rivestimento in gel
- Protezione per i raggi
- Supporto pelvico anteriore

IT

2 Prima dell'uso

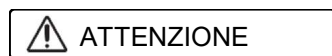
Questo manuale è valido per tutte le configurazioni delle carrozzine Trigo S.

IT

2.1 Utilizzo previsto

- Questa carrozzina è adatta per l'utilizzo sia all'interno che all'esterno.
- E' progettata e realizzata esclusivamente per il trasporto/trasferimento di una (1) persona con un peso massimo che dipende dalla configurazione, come indicato nelle specifiche tecniche riportate al § 5. Non è viceversa progettata per il trasporto di merci od oggetti, o per qualunque uso diverso da quello descritto in precedenza.
- Questa carrozzina è studiata per essere azionata dall'utente seduto sulla stessa. Se sono installate le maniglie di spinta, la carrozzina può essere azionata anche da un assistente.
- **NON** utilizzare la carrozzina se si soffre di disabilità fisiche o mentali tali da mettere in pericolo sé o altri durante l'uso. Consultare pertanto anzitutto il proprio medico e avere cura di trasmettere il suo parere al proprio rivenditore specializzato.
- Utilizzare esclusivamente accessori e ricambi approvati da Vermeiren.
- Leggere tutte le informazioni tecniche di dettaglio e le limitazioni della carrozzina riportate nel § 5.
- La garanzia del prodotto presuppone un uso e una manutenzione normali del medesimo, come descritti in questo manuale. I danni al prodotto dovuti a uso improprio o manutenzione carente causano la decadenza della garanzia.

2.2 Sicurezza



Rischio di lesioni e/o danni

Leggere attentamente e osservare scrupolosamente le istruzioni contenute in questo manuale.

Durante l'uso, tenere presenti le seguenti avvertenze generali:

- Non utilizzare la carrozzina se si è sotto l'effetto di alcool, farmaci o altre sostanze in grado di influire sulle proprie capacità di manovra.
- Non dimenticare che alcune parti della carrozzina possono diventare molto calde o fredde a causa della temperatura ambiente, della radiazione solare o di dispositivi di riscaldamento. In condizioni climatiche fredde, indossare indumenti protettivi. In caso di uso all'aperto, è possibile utilizzare guanti da equitazione per migliorare la presa sui corrimani.
- Consultare il produttore della carrozzina prima di modificare o sostituire i punti di assicurazione della stessa, oppure componenti o parti della sua struttura o del suo telaio.

Tieni presente che il tuo carrozzina potrebbe interferire con qualche sistema di antifurto, a seconda delle impostazioni utilizzate ciò potrebbe fra scattare l'allarme del negozio.

Nel caso in cui si sia verificato un grave incidente con il vostro prodotto, informate Vermeiren o il vostro rivenditore specializzato e l'autorità competente del vostro paese.

Sulla carrozzina sono applicati i simboli elencati di seguito. I simboli sono riportati nella norma ISO pertinente (ISO 7000, ISO 7001 e IEC 417).



Peso massimo dell'utente, in kg



Uso al coperto / all'aperto



Pendenza massima di sicurezza, in ° (gradi)

Indicazione del modello

Rischio di intrappolamento

2.3 Trasporto

2.3.1 Trasporto su veicoli, come bagaglio

1. Come utente, trasferirsi su un sedile dell'auto; vedere il § 3.7.
2. Ripiegare la carrozzina fino alle dimensioni più compatte, attenendosi alle istruzioni fornite nel § 2.4.
3. Riporre la carrozzina e le sue ruote nel bagagliaio o dietro il sedile del passeggero. Se il bagagliaio e l'abitacolo NON sono separati o chiusi, assicurare saldamente il telaio della carrozzina al veicolo. A tale scopo è possibile utilizzare una cintura di sicurezza disponibile del veicolo. Non utilizzare la stessa cintura di sicurezza per passeggero e carrozzina.

2.3.2 Trasporto su veicoli, come sedile per l'utente (solo per Trigo con schienale fisso)



AVVERTENZA

Rischio di lesioni



- Per Trigo con schienale pieghevole/angolare regolabile: NON utilizzare la carrozzina come sedile in un veicolo; vedere il simbolo successivo.
- La carrozzina ha superato il crash test a norma ISO 7176-19:2008; come tale, essa è stata progettata e collaudata per l'uso nei veicoli a motore esclusivamente come sedile rivolto in avanti. La facilità di accesso e la manovrabilità nei veicoli a motore possono essere significativamente influenzate dalle dimensioni della sedia a rotelle e dal raggio di sterzata.
- La cintura pelvica della carrozzina non è da utilizzarsi come da cintura di sicurezza.
- Utilizzare la cintura pelvica della carrozzina e la cintura di sicurezza a tre punti appropriata del veicolo per evitare impatti fra il medesimo e la testa e il torace dell'utente.
- Non utilizzare supporti posturali per ritenere l'utente nel veicolo, a meno che tali supporti non rechino un'etichetta che ne attesti la conformità ai requisiti specificati nella norma ISO 7176-19:2008.
- In caso di coinvolgimento in qualunque tipo di collisione del veicolo, prima di utilizzare nuovamente la carrozzina farla ispezionare da un rivenditore specializzato o da un rappresentante del produttore.

La carrozzina è testata utilizzando un sistema tirante a quattro punti e un sistema di contenimento per il paziente a tre punti.

Quando però possibile, usare il sedile del veicolo e porre la carrozzina dietro il sedile o nel bagagliaio.

Istruzioni per fissare la carrozzina quale sedile in un'autovettura:

1. Controllare che il veicolo sia dotato di un sistema di fissaggio per carrozzina e di cinture di sicurezza, conforme alla legge ISO 10542.
2. Controllare che i componenti del sistema di fissaggio per carrozzine e le cinture di sicurezza non siano danneggiati, rotti, sfilacciati o rovinati.
3. Se dotata di un sedile regolabile e/o schienale reclinabile, assicurarsi che l'utilizzatore della carrozzina sia seduto in posizione il più eretta possibile. Se le condizioni del paziente non lo consentono, bisognerebbe valutare i rischi per evitare pericoli per il paziente durante il trasporto.
4. Rimuovere tutti gli accessori montati come ad esempio equipaggiamenti respiratori o vassoi,

e riporli in un posto sicuro.

5. Posizionare la carrozzina nella stessa direzione di marcia, in centro ai binari montati sul pavimento del veicolo, fissando la carrozzina.
6. Montare le cinture di sicurezza anteriori seguendo le istruzioni del costruttore del sistema di passanti, fino al punto indicato (figura 1). Questo punto è segnato con un simbolo (figura 2).
7. Tirare la carrozzina finché le cinture anteriori non sono tese.
8. Applicare i freni della carrozzina.
9. Montare le cinture di sicurezza posteriori seguendo le istruzioni del costruttore del sistema di passanti, fino al punto indicato (figura 1). Questo punto è segnato con un simbolo (figura 2).



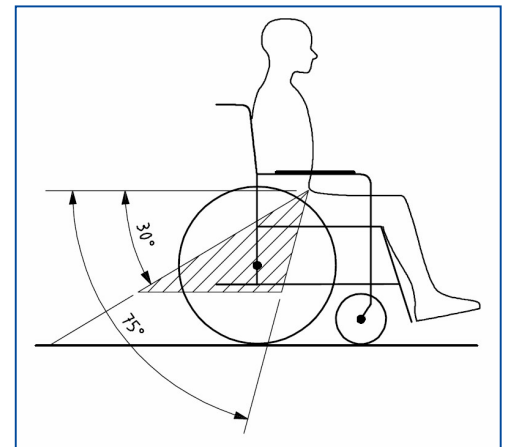
Figura 1



Figura 2

Istruzioni per la sicurezza del paziente:

1. Rimuovere entrambi i braccioli.
2. Se presente, allacciare la cintura pelvica della carrozzina.
3. Allacciare la cintura di sicurezza del paziente seguendo le istruzioni del costruttore del sistema di passanti.
4. Indossare la cintura pelvica da una parte all'altra del bacino, in modo che l'angolo della cintura sia entro la zona dai 30° ai 75° dal piano orizzontale, come mostrato in figura.
5. È preferibile raggiungere un angolo maggiore per la zona indicata.
6. Stringere la cintura come da istruzioni del costruttore del sistema di passanti, secondo il comfort del paziente.
7. Assicurarsi che la cintura di sicurezza sia attaccata in linea retta al punto di ancoraggio nel veicolo e che nessuna piega sia visibile nella cintura, ad esempio nell'asse della ruota posteriore.
8. Installare i braccioli, se desiderati. Assicurarsi che le cinture non siano attorcigliate o costrette lontano dal corpo a causa di componenti della carrozzina come braccioli o ruote.
9. Posizionare la fibbia della cintura di sicurezza in modo che il pulsante di sgancio non venga a contatto con i componenti della carrozzina in caso di collisione.
10. Accertarsi che le cinture di ritenuta trasversali passino sopra le spalle; vedere la figura 4.



Le cinture di ritenuta non devono essere tenute lontano dal corpo da componenti della carrozzina quali ruote o braccioli.

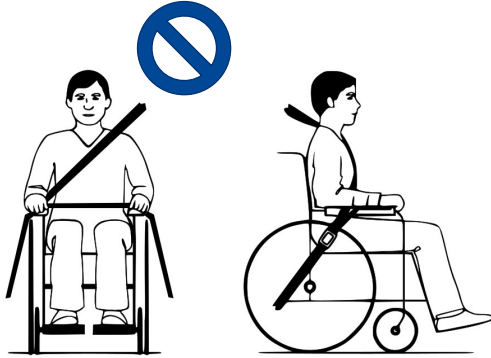


Figura 3 **Disposizione errata della cintura di ritenuta**

Le cinghie di ritenuta devono essere pienamente a contatto con le spalle, il petto e la pelvi.

Cintura pelvica bassa sulla pelvi, vicino all'articolazione fra la coscia e l'addome.

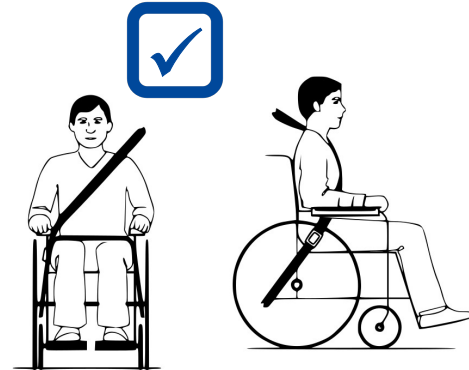


Figura 4 **Disposizione corretta della cintura di ritenuta**

2.4 Chiusura - apertura

ATTENZIONE

Rischio di lesioni e/o danni

- Avere cura di non schiacciarsi le dita nei punti di snodo delle maniglie e della crociera del telaio.
- Tenere sempre conto del raggio di rotazione della pedana, per evitare di causare lesioni alle persone o danni materiali.

Chiusura della carrozzina:

1. Tirare e rimuovere il cuscino del sedile.
2. A seconda del tipo di pedana (8):
 - Aprire il piatto pedana sbloccandolo e ruotandolo verso l'alto
 - Se la pedana è ripiegabile, tirarla verso l'alto per ripiegarla
3. Afferrare al centro il lato anteriore e quello posteriore del sedile (15) e tirare per chiuderlo.
4. Spingere gli uni verso gli altri i tubi (5) del telaio.
5. Se necessario, rimuovere le ruote posteriori; vedere il § 2.5.



Apertura della carrozzina:

1. Tirare verso l'esterno i tubi (5) del telaio del sedile, quindi spingere verso il basso il telaio stesso dal lato sinistro e da quello destro, fino a quando il sedile non forma una superficie piana e il telaio non è bloccato nella posizione corretta.
2. Se erano state rimosse, montare le ruote posteriori; vedere il § 2.5.
3. Collocare il cuscino (4) del sedile sulle apposite fasce in velcro. Accertarsi che le fasce del cuscino siano disposte trasversalmente su quelle del sedile.
4. A seconda del tipo di pedana (8):
 - Aprire il piatto pedana ruotandolo verso il basso fino a quando si blocca.
 - Se la pedana è ripiegabile, spingerla verso il basso fino a quando si blocca.

2.5 (S)montaggio delle ruote posteriori

Rimozione delle ruote posteriori

1. Tenere premuto il pulsante (43) facendo fuoriuscire allo stesso tempo l'asse della ruota dal foro del telaio.
2. Ripetere l'operazione per l'altra ruota e appoggiare delicatamente la carrozzina sui tubi del telaio posteriore.

Installazione delle ruote posteriori

1. Prendere una delle ruote posteriori e sollevare un lato della carrozzina.
2. Tenere premuto il pulsante (43) inserendo allo stesso tempo la ruota nella boccola dell'asse.
3. Rilasciare il pulsante per bloccare la ruota. Accertarsi che la ruota si inserisca con un clic nella posizione corretta.
4. Ripetere l'operazione per l'altra ruota.
5. Accertarsi che entrambe le ruote siano fissate saldamente.



IT

2.6 Magazzinaggio

- i** Avere cura di riporre la carrozzina in un ambiente asciutto, per evitare la formazione di muffa o danni ai rivestimenti; vedere inoltre il capitolo 5.

3 Utilizzo della carrozzina

ATTENZIONE

Rischio di lesioni e/o danni

Accertarsi che durante l'uso o la regolazione mani, indumenti, cinture, fibbie o gioielli non si impiglino nelle ruote o in altri componenti in movimento.

3.1 Freni

ATTENZIONE

Rischio di lesioni e/o danni

- Non rilasciare mai entrambi i freni contemporaneamente.
- La regolazione dei freni deve essere eseguita esclusivamente da un rivenditore specializzato oppure da un tecnico.
- Non utilizzare i freni per fare rallentare la carrozzina mentre è in movimento.

Freni a pressione-trazione

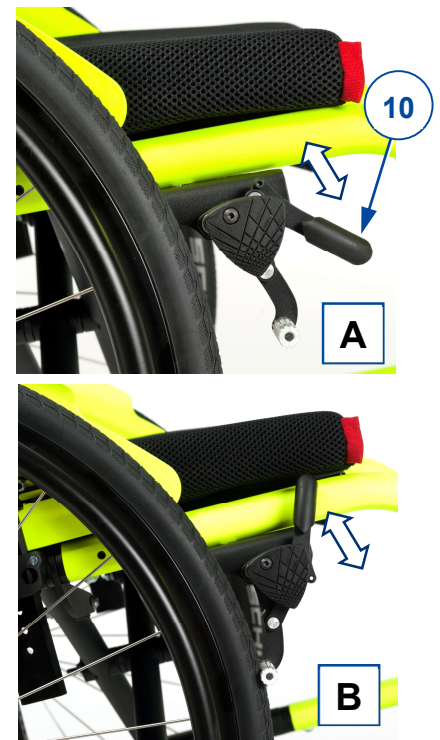
i È possibile montare il freno a pressione-trazione in due modi (direzioni), da decidere al momento di ordinare la carrozzina. A seconda della direzione scelta, per azionare il freno occorre premerlo o tirarlo.

Sbloccaggio dei freni (A):

1. Afferrare con una mano uno dei corrimani.
2. Premere o tirare la leva (10) del freno dell'ALTRA ruota.
3. Ripetere l'operazione per la seconda ruota e il secondo freno.

Bloccaggio dei freni (B):

1. Afferrare con una mano uno dei corrimani.
2. Tirare o premere la leva (10) del freno dell'ALTRA ruota, fino a quando si percepisce chiaramente un effetto di bloccaggio.
3. Ripetere l'operazione per la seconda ruota e il secondo freno.



Freni sportivi

I freni sportivi sono posizionati sotto il sedile.

Sbloccaggio dei freni:

1. Afferrare con una mano uno dei corrimani.
2. Spingere in AVANTI la maniglia dell'ALTRA ruota.
3. Ripetere l'operazione per la seconda ruota e il secondo freno.

Bloccaggio dei freni:

1. Afferrare con una mano uno dei corrimani.
2. Tirare all'INDIETRO la maniglia del freno dell'ALTRA ruota, fino a quando si percepisce chiaramente un effetto di bloccaggio.
3. Ripetere l'operazione per la seconda ruota e il secondo freno.



3.2 Maniglie di spinta

A seconda della configurazione scelta, la carrozzina può essere consegnata senza maniglie di spinta oppure con maniglie normali o ripiegabili.

3.3 Braccioli, protezione abiti

A seconda della configurazione scelta, la carrozzina può essere dotata di una serie di braccioli differenti:

- Protezioni abiti fisse, senza copriruote
- Protezioni abiti fisse con copriruote
- Braccioli tubolari ribaltabili
- Protezioni abiti estraibili

3.4 Schienale ripiegabile (optional)

Ripiegamento dello schienale sul sedile

1. Tirare delicatamente la fascia (20) dello schienale. I perni di sicurezza del meccanismo di chiusura (21) vengono rilasciati.
2. Spingere lo schienale verso il basso sul sedile.

Sollevarlo dello schienale

1. Tirare lo schienale verso l'alto, fino a quando si arresta con un clic nella posizione corretta.
2. Accertarsi che entrambi i perni di sicurezza siano bloccati nei fori del meccanismo di chiusura (21).
3. Effettuare la verifica muovendo lo schienale.



3.5 Dispositivo anti-ribaltamento (optional)

Il dispositivo anti-ribaltamento impedisce che la carrozzina si ribalti all'indietro. Quando tale dispositivo non è necessario, è possibile ruotarlo lateralmente tirando in giù la barra verticale (16) e girandolo verso la parte anteriore della carrozzina, finché non si avverte il 'click' di posizionamento corretto.

Per regolare l'altezza del dispositivo antiribaltamento a seconda di posizione e misura delle ruote posteriori:

1. Allentare la vite a stella (17) fino a che il tubo interno del dispositivo possa muoversi nel supporto.
2. Alzare o abbassare il dispositivo fino alla posizione desiderata.
3. Serrare la vite a stella (17).

Il dispositivo antiribaltamento deve trovarsi approssimativamente a 15/20 mm. da terra.



3.6 Regolazioni



ATTENZIONE

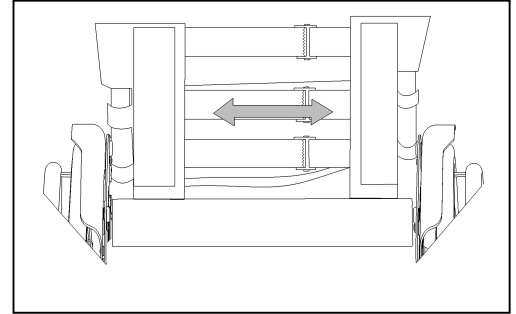
Rischio di lesioni e/o danni

- Le regolazioni indicate di seguito possono essere eseguite da assistenti. Tutte le altre regolazioni vengono eseguite dal rivenditore specializzato (vedere le istruzioni di installazione).
- Tenere sempre conto del raggio di rotazione delle pedane, per evitare di causare lesioni o danni alle persone.
- Avere cura di evitare che dita, indumenti e fibbie rimangano intrappolati durante le regolazioni.

3.6.1 Larghezza e supporto dello schienale

Lo schienale della carrozzina è dotato di un sistema di tensione con fasce in Velcro regolabili, che consentono di modificare la flessibilità dello schienale stesso.

1. Tirare il cuscino dello schienale separandolo dalle fasce in velcro.
2. Allentare le fasce in velcro.
3. Tirare la rispettiva fascia fino alla posizione desiderata. È possibile variare la tensione delle singole cinghie a seconda delle necessità/esigenze.
4. Collocare nuovamente sullo schienale il cuscino per la schiena, fissandolo prima alla parte anteriore e poi a quella posteriore.
5. Fissare il cuscino contro lo schienale.
6. Accertarsi che il cuscino sia ben aderente alle fasce in velcro.



3.6.2 Altezza dello schienale

1. Rimuovere il cuscino dello schienale.
2. Allentare la vite che blocca il tubo dello schienale.
3. Spostare lo schienale verso l'alto / il basso, fino all'altezza desiderata.
4. Serrare la vite nel foro corrispondente.
5. Ripetere l'operazione per l'altro lato. Accertarsi che entrambi i lati siano regolati alla stessa altezza, e che siano fissati saldamente.

3.6.3 Altezza delle maniglie di spinta (regolazione continua)

Leva di fissaggio

1. Ruotare la leva (40) della maniglia di spinta per allentarla.
2. Spostare la maniglia di spinta verso l'alto / il basso, fino all'altezza desiderata.
3. Fissare la maniglia serrando la leva (40).
4. Ripetere l'operazione per la seconda maniglia di spinta. Accertarsi che entrambe le maniglie siano regolate alla stessa altezza, e che siano fissate saldamente.



Manopola di fissaggio

1. Ruotare di qualche giro in senso antiorario la manopola (30) della maniglia di spinta.
2. Spostare la maniglia di spinta verso l'alto / il basso, fino all'altezza desiderata.
3. Fissare la maniglia ruotando la manopola in senso orario.
4. Ripetere l'operazione per l'altro lato. Accertarsi che entrambi i lati siano regolati alla stessa altezza, e che siano fissati saldamente.



3.7 Trasferimento alla/dalla carrozzina

 **ATTENZIONE**

Rischio di lesioni e danni

- Se non si è in grado di effettuare il trasferimento in condizioni di sicurezza, richiedere l'assistenza di un'altra persona.
- Non rimanere in piedi sulla pedana durante il trasferimento alla o dalla carrozzina.

Trasferimento

1. Quando si è seduti su una poltrona, un divano, un sedile o un letto, avvicinare il più possibile a sé la carrozzina.
2. Inserire entrambi i freni per impedire qualunque movimento; vedere il § 3.1.
3. Se possibile, ripiegare verso l'alto il piatto pedana, per evitare di salirvi in piedi.
4. Trasferirsi sulla/dalla carrozzina utilizzando la forza delle proprie braccia o con l'ausilio di uno (o più) assistenti o di un dispositivo di sollevamento.

Posizione di seduta sulla carrozzina

1. Sedersi sul sedile con la parte inferiore della schiena contro lo schienale.
2. Se presente, aprire il piatto pedana ruotandolo verso il basso e appoggiarvi i piedi.

3.8 Spostamenti



Rischio di lesioni e danni

- Prima di ogni utilizzo, verificare che:
 - i freni funzionino correttamente.
 - gli pneumatici siano in buone condizioni; vedere il § 4.
- Avere cura di evitare che le dita restino impigliate nei raggi delle ruote.
- Non azionare i corrimani con le mani bagnate.
- Quando si attraversano passaggi stretti, prestare attenzione a non schiacciarsi le mani sui corrimani.
- NON effettuare spostamenti su superfici inclinate, ostacoli, gradini o cordoli di dimensioni superiori a quelle specificate nel § 5.
- Quando ci si ferma su una superficie (poco) inclinata, utilizzare i freni.
- Quando si procede in salita o in discesa su superfici inclinate, accertarsi che tutte e quattro le ruote siano a contatto con il suolo.
- Affrontare le superfici alla minima velocità possibile.
- Quando si percorrono strade pubbliche, rimanere sempre sul marciapiede.
- Prestare attenzione quando si procede su strade con buche o fessure in cui le ruote possano incastrarsi.
- Evitare sassi o altri oggetti in grado di bloccare le ruote.
- Quando si affronta un ostacolo, accertarsi che le pedane non tocchino terra.
- Non utilizzare la carrozzina sulle scale mobili.
- Se disponibile, indossare la cintura di sicurezza.
- Tenere sempre conto del raggio di rotazione della pedana, per evitare di causare lesioni alle persone o danni materiali.
- Se non si possiede sufficiente esperienza di uso della carrozzina, chiedere aiuto a un assistente. Tenere le braccia lontane dalle ruote e i piedi sulla pedana.
- Le scale devono sempre essere affrontate con l'aiuto di due assistenti.
- Non tentare mai di utilizzare scale inadatte alle carrozzine.

3.8.1 Utilizzo della carrozzina

1. Rilasciare i freni.
2. Afferrare entrambi i corrimani nel punto più alto.
3. Inclinare il busto in avanti e spingere in avanti i corrimani, fino a quando le braccia sono distese.
4. Riportare le mani nel punto più alto dei corrimani e ripetere il movimento.

4 Manutenzione

4.1 Frequenza di manutenzione

 ATTENZIONE

Rischio di lesioni e danni

Riparazioni e sostituzioni devono essere eseguite esclusivamente da personale con un'opportuna formazione e utilizzando unicamente ricambi originali Vermeiren.

i La frequenza dell'assistenza dipende dalla frequenza e dall'intensità dell'uso. Concordare con il proprio rivenditore un calendario comune per le attività di ispezione / manutenzione / riparazione.

Per il manuale di manutenzione consultate il sito web Vermeiren: www.vermeiren.com.

Prima di ciascun utilizzo

Verificare i seguenti punti:

- Tutti i componenti: presenza, integrità e assenza di usura.
- Tutti i componenti: pulizia, vedere il § 4.2.2.
- Ruote, schienale, sedile, appoggiapolpacci, braccioli e pedana: fissaggio corretto.
- Condizioni delle ruote / degli pneumatici: vedere il § 4.2.1;
- Condizioni dei componenti del telaio: assenza di deformazioni, instabilità, punti deboli o raccordi allentati
- Sedile, schienale, appoggiatesta (se presente) e imbottiture di braccioli e appoggiapolpacci: assenza di usura eccessiva (come ammaccature, danni o lacerazioni).
- Freni: integri e funzionanti

Rivolgersi al proprio rivenditore specializzato per le riparazioni o i ricambi eventualmente necessari.

Annualmente o con maggiore frequenza

Almeno una volta all'anno, o con maggiore frequenza, richiedere al proprio rivenditore specializzato un intervento di ispezione e manutenzione della carrozzina. La frequenza minima di manutenzione dipende dall'uso, e deve pertanto essere concordata con il proprio concessionario autorizzato.

4.2 Istruzioni per la manutenzione

4.2.1 Ruote e pneumatici

i Il funzionamento corretto dei freni dipende dallo stato degli pneumatici, e può variare a seconda dell'usura e dell'eventuale contaminazione (acqua, olio, fango e così via).

Tenere pulite le ruote da fili, capelli, sabbia e fibre.

Verificare il profilo degli pneumatici. Se la profondità del battistrada è inferiore a 1 mm, occorre sostituire gli pneumatici. A tale scopo, rivolgersi al proprio rivenditore specializzato.

Gonfiare ciascuno pneumatico alla pressione corretta (facendo riferimento all'indicazione riportata sul medesimo).

4.2.2 Pulizia

ATTENZIONE

Rischio di danni da umidità

- Non pulire la carrozzina con pompe o pultrici ad alta pressione.

Strofinare tutti i componenti rigidi della carrozzina con un panno umido (non zuppo). Se necessario, utilizzare un detergente delicato, adatto per smalti e materiali sintetici.

È possibile pulire i rivestimenti con acqua tiepida e un detergente delicato. Non utilizzare detergenti abrasivi per la pulizia.

4.2.3 Disinfezione

ATTENZIONE

Rischio di danni

- La disinfezione deve essere eseguita esclusivamente da personale con un'opportuna formazione. Consultare il proprio rivenditore specializzato.

4.3 Soluzione dei problemi di funzionamento

Anche se si utilizza la carrozzina nel modo corretto, è comunque possibile che si verifichi un problema tecnico. In tal caso, rivolgersi al rivenditore specializzato della propria zona.

**AVVERTENZA**

Rischio di lesioni e di danni alla carrozzina

- NON tentare MAI di riparare personalmente la carrozzina.

I sintomi indicati di seguito possono segnalare un problema grave. Rivolgersi pertanto sempre al proprio rivenditore specializzato se si rileva una qualunque delle seguenti anomalie:

- Rumori strani;
- Usura irregolare del battistrada di uno pneumatico;
- Movimenti a scatti;
- Tendenza della carrozzina a deviare lateralmente;
- Gruppi ruota danneggiati o spezzati.

4.4 Durata prevista

La carrozzina ha una durata media prevista di 5 anni. Tale valore aumenta o diminuisce a seconda della frequenza di utilizzo, delle condizioni di guida e della manutenzione.

4.5 Utilizzi successivi

Prima di ogni utilizzo successivo, fare disinfettare, ispezionare e sottoporre a manutenzione la carrozzina secondo le istruzioni dei §4.1 e §4.2 .

4.6 Fine vita

A fine vita, occorre smaltire la carrozzina conformemente alla legislazione ambientale locale. Il modo migliore per farlo consiste nello smontare la carrozzina per agevolare il trasporto dei componenti riciclabili.

5 Specifiche tecniche

I dettagli tecnici riportati di seguito sono validi soltanto per la carrozzina oggetto del manuale, con le impostazioni standard e in condizioni ambiente ottimali. Durante l'uso, tenere conto di questi dati di dettaglio.

I valori indicati non sono più validi se la carrozzina ha subito modifiche o danni, oppure presenta un livello elevato di usura.

Tabella 1: Specifiche tecniche

Marchio	VERMEIREN	
Tipo	Carrozzina	
Modello	Trigo S	
Descrizione	Specifiche	
Peso massimo dell'utente	Sedile largo fino a 360 mm, con crociera singola: 70 kg Sedile largo da 380 a 460 mm, con 1,5 crociere: 130 kg Sedile largo da 480 a 500 mm, con doppia crociera: 130 kg	
Pendenza massima superabile	5°	
Dimensioni	Min.	Max.
Lunghezza complessiva	676 mm	1046 mm
Lunghezza in condizioni smontate (ruote smontate)	650 mm	855 mm
Larghezza in condizioni smontate (ruote smontate)	386 mm	586 mm
Altezza in condizioni ripiegate (in funzione del diametro delle ruote)	457 mm	660 mm
Altezza della carrozzina (in funzione del tipo di ruote posteriori, delle regolazioni, delle maniglie di spinta o dell'altezza dello schienale)	457 mm	945 mm
Altezza in condizioni ripiegate, senza ruote	Max. 428 mm	
Larghezza del sedile	300 mm	500 mm
Larghezza complessiva in mm (ruote posteriori da 24" e campanatura 0°):	460 mm	660 mm
Lunghezza della carrozzina (in funzione della profondità del sedile, del tipo di ruote posteriori, del tipo di pedana e delle regolazioni)	676 mm	1046 mm
Profondità della tela - del sedile	320 mm	500 mm
Altezza dello schienale, regolabile	(a intervalli di 25 mm)	
Schienale non ripiegabile	250 – 300 mm	
Schienale non ripiegabile	300 – 350 mm	
Schienale ripiegabile	350 – 400 mm	
Schienale ripiegabile	400 – 450 mm	
Schienale ripiegabile	450 – 500 mm	
Altezza dello schienale, fisso, ripiegabile	(a intervalli di 20 mm) 250 – 510 mm	

Altezza del sedile in funzione delle ruote anteriori, in corrispondenza del bordo anteriore del sedile Ruote anteriori da 3" Ruote anteriori da 4" Ruote anteriori da 5" Ruote anteriori da 6"	(a intervalli di 10 mm) 380 – 470 mm 390 – 490 mm 410 – 500 mm 430 – 510 mm
Altezza del sedile in corrispondenza del suo bordo posteriore, in funzione delle ruote posteriori Ruote posteriori da 18" Ruote posteriori da 20" Ruote posteriori da 22" Ruote posteriori da 24" Ruote posteriori da 26"	(a intervalli di 10 mm) 315 – 415 mm 335 – 435 mm 355 – 465 mm 385 – 495 mm 405 – 515 mm
Distanza fra protezione abiti/parafango e sedile	0 mm
Distanza fra pedana e sedile	(a intervalli di 20 mm) 220 – 500 mm
Lunghezza pedana, regolabile	220 mm 480 mm
Angolazione del piano del sedile, regolabile	20°
Angolo fra sedile e pedana	70° o 80° o 90°
Angolazione dell'appoggiatesta	Variabile con continuità (regolazione continua)
Pesi (a seconda della configurazione)	
Peso totale	A partire da 12 kg
Peso del componente più pesante (senza ruote né cuscini del sedile e posteriore)	Circa 8,2 kg
Pesi dei componenti rimovibili: Ruota da 24" Cuscino dello schienale Cuscino del sedile Maniglia di spinta (regolabile)	3,1 kg 0,4 kg 0,4 kg 0,4 kg
Ruote	
Impostazione predefinita della campanatura delle ruote posteriori, regolabile	0° 2° 4° 6°
Ruote anteriori	3" - 4" - 5" - 6"
Ruote posteriori	18" – 20" - 22" - 24" - 26"
Diametro del corrimano	400– 440– 500– 535– 600 mm
Pressione degli pneumatici, ruote posteriori	2.5 - 10 bar
Ambiente	
Prove di resistenza a norma	ISO 7176-8
Infiammabilità della selleria a norma	EN 1021-2
Valutazione complessiva della sistemazione della cintura di sicurezza	C
Temperatura di magazzinaggio e di utilizzo	+5 °C - +41 °C
Umidità di magazzinaggio e di utilizzo	30% - 70%
Vermeiren si riserva il diritto di introdurre modifiche tecniche. Tolleranze di misurazione ± 15 mm / 1,5 kg / 1,5°.	

Contenido

Introducción.....	2
1 Su producto.....	3
1.1 Accesorios.....	4
2 Antes de su uso.....	5
2.1 Uso previsto.....	5
2.2 Instrucciones generales de seguridad.....	5
2.3 Transporte.....	6
2.4 Plegado - desplegado.....	8
2.5 Montaje y desmontaje de ruedas traseras.....	9
2.6 Almacenamiento.....	9
3 Utilizar la silla de ruedas.....	10
3.1 Frenos de estacionamiento.....	10
3.2 Empuñaduras de empuje.....	11
3.3 Reposabrazos – Placas laterales.....	11
3.4 Respaldo plegable.....	11
3.5 Dispositivo antivuelco (opcional).....	11
3.6 Ajustes de comodidad.....	11
3.7 Traslado a/desde de la silla de ruedas.....	12
3.8 Conducción.....	13
4 Mantenimiento.....	15
4.1 Puntos de mantenimiento.....	15
4.2 Instrucciones de mantenimiento.....	15
4.3 Resolución de problemas.....	16
4.4 Vida útil prevista.....	16
4.5 Reutilizar.....	16
4.6 Fin de vida útil.....	16
5 Especificaciones técnicas.....	17

Introducción

¡Felicidades! Es usted el propietario de una silla de ruedas Vermeiren.

Esta silla de ruedas ha sido fabricada por personal experto y cualificado. Se ha diseñado y fabricado según los más altos estándares de calidad implementados por Vermeiren.

Lea este manual detenidamente. Le ayudará a familiarizarse con el manejo, las capacidades y limitaciones de su silla de ruedas. Si todavía tiene alguna duda después de leer este manual, contacte con su distribuidor especializado, estará encantado de ayudarle.

Nota importante

Para garantizar su seguridad y prolongar la vida útil de su producto, cuídalo bien y asegúrese de realizar revisiones y el mantenimiento correspondiente de manera regular.

Este manual refleja los desarrollos más recientes del producto. Vermeiren se reserva el derecho a implementar cambios en este tipo de producto sin que ello suponga obligación alguna de adaptar o cambiar productos similares previamente entregados.

Las imágenes se facilitan para clarificar las instrucciones contenidas en este manual. Los detalles del producto mostrado pueden variar con respecto a su producto.

Información disponible

En nuestro sitio web <http://www.vermeiren.com/> siempre encontrará la versión más reciente de la información en este manual. Consulte este sitio web de manera regular para estar al tanto de posibles actualizaciones.

Las personas con discapacidad visual pueden descargarse la versión electrónica del manual y utilizar un software de síntesis de voz para poder oír su contenido.



Manual de instrucciones Para el usuario y el distribuidor especializado



Instrucciones de instalación Para el distribuidor especializado



Manual de mantenimiento para sillas de ruedas
Para el distribuidor especializado



Declaración CE de conformidad

1 Su producto

La silla de ruedas Trigo S es una silla activa y plegable con un reposapiés fijo y una amplia gama de opciones de ajuste. Es fácil de utilizar por el usuario y sirve tanto para interiores como para exteriores.

La Trigo S está disponible en varias versiones y con las diversas opciones que se recogen en nuestra web; ver también el apartado 5.

ES

1. Respaldo
2. Placa lateral / reposabrazos
3. Asiento
4. Bastidor
5. Reposapiés
6. Rueda delantera
7. Rueda trasera
8. Empuñadura (opcional)
9. Reposapiés
10. Freno
11. Placa de identificación



1.1 Accesorios

Los siguientes accesorios están disponibles para Trigo:

- Soporte para muletas
- Rueda antivuelco
- Ruedas pivotantes de viaje
- Barra de estabilización para el respaldo
- Pelot – soporte lateral izquierdo/derecho
- Ruedas todoterreno de 24"
- Empuñadura de empuje con cubierta de gel
- Protección de radios
- Soporte pélvico anterior

ES

2 Antes de su uso

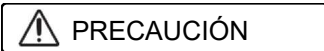
Este manual es aplicable a la silla de ruedas Trigo S en todas sus configuraciones.

2.1 Uso previsto

- Esta silla de ruedas es apta para su uso en interiores y exteriores.
- Esta silla de ruedas está diseñada y fabricada exclusivamente para transportar a una (1) persona con un peso máximo establecido según la configuración de las especificaciones técnicas que se recogen en el apartado 5. No está diseñada para transportar mercancías u objetos ni para otros usos que no sean los descritos anteriormente.
- Esta silla de ruedas está diseñada para ser manejada con el usuario sentado en la misma. Si se instalan empuñaduras o mangos de empuje, también puede manejarla un auxiliar.
- NO utilizar la silla de ruedas si sufre de discapacidades físicas o mentales que puedan ponerle en riesgo a usted o a otras personas al conducir la silla de ruedas. Por tanto, consulte primero con su médico y asegúrese de que su distribuidor especializado esté al tanto de los consejos de su médico.
- Utilizar sólo accesorios y piezas de repuesto aprobadas por Vermeiren.
- Consultar todos los detalles técnicos y las limitaciones de la silla en el apartado 5.
- La garantía de este producto cubre el uso y mantenimiento normales descritos en este manual. La garantía se invalida si el producto sufre cualquier daño causado por un uso indebido o falta de mantenimiento.

ES

2.2 Instrucciones generales de seguridad



Riesgo de lesiones y daños

Leer detenidamente y seguir las instrucciones que se recogen en este manual.

Tener en cuenta las siguientes advertencias durante su utilización:

- No utilizar la silla de ruedas si ha consumido alcohol, medicamentos u otras sustancias que afecten la capacidad de conducir.
- Téngase en cuenta que ciertas partes de la silla de ruedas pueden llegar a calentarse o enfriarse demasiado a causa de la temperatura ambiente, la luz del sol o la calefacción. Tener cuidado al tocar la silla de ruedas. Llevar ropa protectora cuando haga frío. Cuando salga al exterior, puede utilizar guantes protectores para mejorar el agarre de los aros propulsores.
- No realizar alteraciones o sustituciones a los puntos de sujeción o a piezas o componentes del chasis o estructurales sin antes consultar al fabricante de la silla de ruedas.

Tenga en cuenta que su silla de ruedas puede interferir con algunos tipos de sistemas antirrobo, según la configuración utilizada. Esto puede hacer que se active la alarma de la tienda.

En caso de que se produzca un incidente grave con su producto, notifique a Vermeiren o a su distribuidor especializado, así como a la autoridad competente de su país.

Los símbolos de la siguiente lista son aplicables a la silla de ruedas. Los símbolos están recogidos en la normativa ISO pertinente (ISO 7000, ISO 7001 y IEC 417).



Peso máximo del usuario en kg



Uso en interiores y exteriores



Pendiente máxima segura en ° (grados)

Designación del modelo

Riesgo de aprisionamiento

2.3 Transporte

2.3.1 Transporte mediante vehículo como equipaje

1. Si usted es el usuario, siéntese en un asiento para coche, ver apartado 3.7.
2. Plegar la silla de ruedas hasta reducirla a su tamaño más compacto siguiendo las instrucciones del apartado 2.4.
3. Guardar la silla de ruedas y sus ruedas en el maletero o detrás del asiento del pasajero. Si el maletero y los asientos del coche NO están separados o cerrados, fijar bien el bastidor de la silla de ruedas al vehículo. Se puede usar el cinturón de seguridad del vehículo para este fin. Nunca utilizar el mismo cinturón de seguridad para el pasajero y la silla de ruedas.

2.3.2 Transporte mediante vehículo como asiento del usuario (sólo para Trigo con respaldo fijo)



AVISO

Riesgo de lesiones



- Para Trigo con respaldo plegable/ajustable en ángulo: NO utilizar la silla de ruedas como asiento en un vehículo; ver siguiente símbolo.
- La silla de ruedas ha superado con éxito la prueba de choque de la norma ISO 7176-19: 2008 como tal, ha sido diseñado y probado para usarlo solo como silla de cara al frente en un vehículo de motor. La facilidad de acceso y la maniobrabilidad en los vehículos de motor pueden verse afectadas significativamente por el tamaño de la silla de ruedas y el radio de giro.
- El cinturón pélvico de la silla de ruedas solo no es adecuado para un cinturón de sujeción del ocupante.
- Utilizar el cinturón pélvico de la silla de ruedas y el cinturón de tres puntos aplicable del vehículo para evitar impactos de la cabeza y el pecho contra el vehículo.
- No utilizar soportes posturales para sujetar al usuario en el vehículo, a no ser que tengan una etiqueta que indique que son conformes a los requisitos especificados en ISO 7176-19:2008.
- Si se sufre cualquier tipo de colisión de vehículos, pasar la silla de ruedas por una inspección por parte del distribuidor especializado o del representante del fabricante antes de volver a utilizarla.

La silla se prueba mediante el sistema de cinturón de cuatro puntos y un sistema de restricción para los ocupantes de 3 puntos.

Siempre que sea posible, utilice el asiento del vehículo y guarde la silla en la zona de carga.

Medidas de seguridad para la silla en un vehículo:

1. Compruebe que el vehículo está equipado adecuadamente para amarrar una silla de ruedas y el sistema de retención para los ocupantes de acuerdo con la norma ISO 10542.
2. Compruebe que los raíles de amarre para la silla y el sistema de retención para los ocupantes, no están desgastados, contaminados, dañados o rotos.
3. Si está equipado con un asiento ajustable y/o inclinable, asegúrese de que el usuario está sentado lo más derecho posible. Si la condición del usuario impide esto, se deberá hacer una valoración del riesgo, para evaluar la seguridad del usuario durante el trayecto.

4. Retire todos los accesorios montados tales como bandejas y equipos respiratorios, y colóquelos en un lugar seguro.
5. Coloque la silla de caras a la dirección del viaje, céntrico entre los raíles de amarre montados en el suelo del vehículo.
6. Monte las correas de sujeción frontal de acuerdo a las instrucciones del fabricante del sistema de la correa en el lugar indicado (Figura 1). Este lugar está marcado en la silla de ruedas con un símbolo (Figura 2).
7. Retroceda la silla hasta que las correas frontales estén apretadas.
8. Aplicar el freno de la silla de ruedas.
9. Monte las correas de sujeción traseras de acuerdo con las instrucciones del fabricante del sistema de correas en el lugar indicado (Figura 1). Este lugar está marcado en la silla de ruedas con un símbolo (Figura 2).



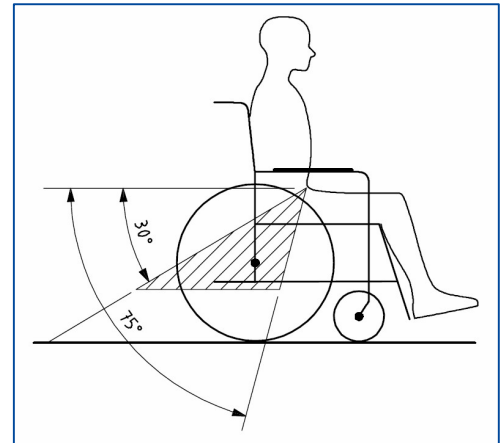
Figura 1



Figura 2

Medidas para asegurar el usuario de la silla de ruedas:

1. Retire los dos reposabrazos.
2. Si está presente ate el cinturón pélvico de la silla.
3. Ate los cinturones de sujeción del ocupante de acuerdo a las instrucciones del fabricante del sistema de correas.
4. Lleve el cinturón pélvico bajo a través de la parte delantera de la pelvis, de tal modo que el ángulo del cinturón pélvico está dentro de la zona preferencial de 30° a 75° respecto al horizontal, como se muestra en la figura.
5. Un ángulo más pronunciado (mayor) dentro de la zona preferente es lo aconsejable.
6. Ajuste el cinturón asegurándolo bien de acuerdo a las inclinaciones del fabricante del sistema de correas, en consonancia a la comodidad del usuario.
7. Asegúrese que el cinturón de sujeción conecta en una línea recta al punto de anclaje en el vehículo y que no haya dobleces visibles, por ejemplo en el eje de la rueda trasera.
8. Instale los reposacabezas, si lo desea. Asegúrese que los cinturones no están retorcidos o apartados del cuerpo por los componentes de la silla como los reposabrazos o las ruedas.
9. Posicionar el cinturón de seguridad de tal manera que el botón de desbloqueo no entre en contacto con componentes de la silla de ruedas durante un posible accidente.
10. Asegurarse de que los cinturones de retención del hombro se ajusten sobre los hombros, véase figura 4.



Los cinturones de retención no deben ponerse lejos del cuerpo ni cerca de componentes de la silla de ruedas como los reposabrazos o las ruedas.

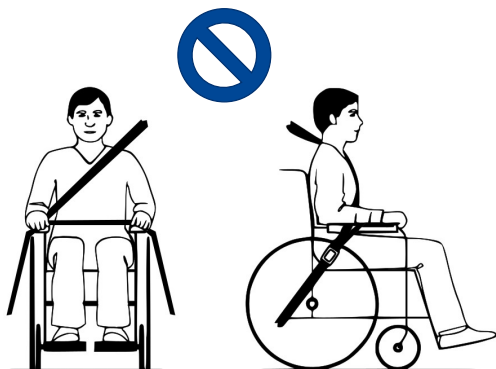


Figura 3 *Cinturón de retención mal abrochado*

Los cinturones de retención tienen que estar en pleno contacto con los hombros, el pecho y la pelvis.

El cinturón pélvico en la parte baja de la pelvis, cerca de la conexión entre la cadera y el abdomen.

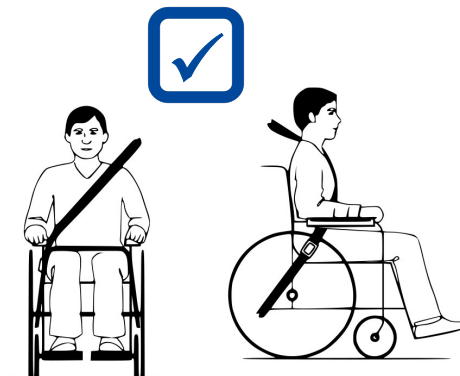


Figura 4 *Cinturón de retención bien abrochado*

2.4 Plegado - desplegado

PRECAUCIÓN

Riesgo de lesiones y daños

- Téngase cuidado de no pillarse los dedos en el punto donde confluyen las empuñaduras y la cruceta del bastidor.
- Téngase siempre en cuenta el alcance de giro del reposapiés para evitar lesionar a otras personas o dañar objetos.

Para plegar la silla de ruedas:

1. Tirar del cojín del asiento y retirarlo.
2. Dependiendo del tipo de reposapiés (8):
 - Paleta de reposapiés extensible: Desbloquearla y girarla hacia arriba
 - Paleta de reposapiés plegable: Tirar de ella hacia arriba para plegarla
3. Agarrar la parte delantera y trasera del cojín (15) por la parte central y tirar de ella para cerrarlo.
4. Juntar los tubos del bastidor (5).
5. Retirar las ruedas traseras si es necesario, ver apartado 2.5.



Desplegar la silla de ruedas:

1. Tirar de los tubos del bastidor (5) hacia afuera y empujar el bastidor del asiento hacia abajo por ambos lados hasta que el asiento quede plano y el bastidor quede fijado en su sitio.
2. Si se han retirado las ruedas traseras, volver a montarlas; ver apartado 2.5.
3. Colocar el cojín del asiento (4) sobre las correas de Velcro del asiento. Asegurarse de que las correas del cojín del asiento están en posición perpendicular a las correas del asiento.
4. Dependiendo del tipo de reposapiés (8):
 - Paleta de reposapiés extensible: Girarla hacia abajo hasta que quede fija en su posición.
 - Paleta de reposapiés plegable: Empujara hacia abajo hasta que quede fija en su posición.

2.5 Montaje y desmontaje de ruedas traseras

Desmontar las ruedas traseras

1. Mantener pulsado el botón (43) a medida que se saca el eje de la rueda del orificio del bastidor.
2. Repetir el proceso en la otra rueda y apoyar la silla con cuidado sobre los tubos traseros del bastidor.

Para montar las ruedas traseras

1. Tomar una de las ruedas traseras y levantar la silla por uno de los lados.
2. Mantener pulsado el botón (43) a medida que se introduce la rueda en el eje hasta el tope.
3. Soltar el botón para bloquear la rueda. Asegurarse de que hace clic para saber que la rueda se ha bloqueado.
4. Repetir este proceso con la otra rueda.
5. Asegurarse de que ambas ruedas estén bien fijadas.



ES

2.6 Almacenamiento

- i** Asegurarse de que la silla de ruedas se almacena en un lugar seco para evitar la aparición de moho y que se dañe la tapicería; ver también el apartado 5.

3 Utilizar la silla de ruedas

⚠ PRECAUCIÓN

Riesgo de lesiones y daños

Asegurarse de que las ruedas u otras piezas en movimiento no pinzan por accidente sus manos, ropa, cinturones, hebillas o joyas durante el uso o el ajuste.

3.1 Frenos de estacionamiento

⚠ PRECAUCIÓN

Riesgo de lesiones y daños

- No soltar nunca ambos frenos a la vez.
- Los frenos sólo pueden ser ajustados por un distribuidor especializado.
- No utilizar los frenos de estacionamiento para reducir la velocidad de la silla de ruedas.

Frenos de tambor

i El freno de estacionamiento de tambor puede montarse de dos formas (en dos direcciones), algo que tendrá que decidir cuando se compre la silla de ruedas. En función de la dirección que haya escogido, se tendrá que empujar los frenos o tirar de ellos para accionarlos.

Soltar los frenos (A):

1. Con una mano, sujetar uno de los aros propulsores.
2. Empujar/tirar de la palanca de freno (10) de LA OTRA rueda.
3. Repetir estos pasos con el freno de estacionamiento de la otra rueda.

Accionar los frenos (B):

1. Con una mano, sujetar uno de los aros propulsores.
2. Empujar/tirar de la palanca de freno (10) de LA OTRA rueda hasta que se note claramente un bloqueo.
3. Repetir estos pasos con el freno de estacionamiento de la otra rueda.



Frenos deportivos

Los frenos deportivos se encuentran debajo del asiento.

Soltar los frenos:

1. Con una mano, sujetar uno de los aros propulsores.
2. Tirar de la palanca de LA OTRA rueda HACIA ADELANTE.
3. Repetir estos pasos con el freno de estacionamiento de la otra rueda.

Accionar los frenos:

1. Con una mano, sujetar uno de los aros propulsores.
2. Empujar la palanca de freno de la OTRA rueda HACIA ATRÁS hasta que se note claramente un bloqueo.
3. Repetir estos pasos con el freno de estacionamiento de la otra rueda.



3.2 Empuñaduras de empuje

En función de la configuración por la que haya optado, su silla de ruedas vendrá sin empuñaduras de empuje, o las empuñaduras serán fijas o plegables.

3.3 Reposabrazos – Placas laterales

En función de la configuración por la que haya optado, su silla de ruedas puede incluir:

- Placas laterales sin reposabrazos
- Placas laterales con reposabrazos
- Reposabrazos tubulares plegables
- Placas laterales desmontables

3.4 Respaldo plegable

Plegar el respaldo sobre el asiento

1. Tirar suavemente de la cincha trasera (20) hasta que se aflojen los pasadores de seguridad del mecanismo de plegado (21).
2. Empujar el respaldo sobre el asiento.

Desplegar el respaldo

1. Tirar del respaldo hacia arriba hasta que se bloquee en su posición haciendo un clic.
2. Asegurarse de que ambos pasadores de seguridad se bloquean en los orificios del mecanismo de plegado (21).
3. Comprobar que está bien fijado tratando de moverlo.



3.5 Dispositivo antivuelco (opcional)

El dispositivo antivuelco impide que la silla de ruedas se vuelque hacia atrás. Cuando no hace falta el dispositivo, puede apartarse a un lado tirando de la barra vertida (16) hacia abajo y girándola hacia la parte delantera de la silla, hasta que encaje en su lugar.

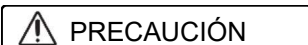
Para ajustar la altura del antivuelco de acuerdo a la posición y tamaño de las ruedas traseras:

1. Aflojar el pomo (17) hasta que el tubo interior del antivuelco pueda moverse en el soporte.
2. Deslice el antivuelco arriba/abajo hasta la posición deseada.
3. Apriete de nuevo el pomo (17).

El antivuelco debe estar aproximadamente a unos 15-20 mm del suelo.



3.6 Ajustes de comodidad



PRECAUCIÓN

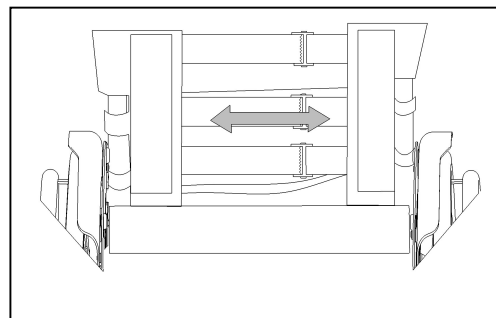
Riesgo de lesiones y daños

- Los siguientes ajustes de comodidad pueden realizarlos el auxiliar o el cuidador. El resto de ajustes ha de realizarlos el distribuidor especializado (ver instrucciones de instalación).
- Tener siempre en cuenta el alcance de giro del reposapiés para evitar lesionar a otras personas o dañar objetos.
- Tener cuidado para no pillarse los dedos, la ropa o las hebillas durante la manipulación.

3.6.1 Ancho y apoyo del respaldo

El respaldo de la silla de ruedas dispone de un sistema de suspensión con correas de Velcro ajustables que permiten modificar el ancho y la flexibilidad del respaldo.

1. Tirar del cojín del respaldo para separarlo de las cintas de Velcro del respaldo.
2. Aflojar las correas de Velcro.
3. Tirar de las correas correspondientes hasta que estén en la posición deseada. La tensión de cada una de las cintas puede variar para configurar el grado de apoyo del respaldo.
4. Volver a colocar el cojín del respaldo sobre el respaldo empezando por la parte frontal y finalizando por la parte trasera.
5. Asegurarse de que el Velcro está bien adherido presionando el cojín contra el respaldo con la mano.
6. Asegurarse de que todas las correas están bien fijadas con Velcro.



3.6.2 Altura del respaldo (ajuste por tramos)

1. Retirar el cojín del respaldo.
2. Presionar el botón con resorte que se encuentra en la parte trasera del tubo trasero del bastidor.
3. Deslizar el respaldo hacia arriba o abajo hasta alcanzar la altura deseada.
4. Asegurarse de que el botón vuelve a fijarse en el orificio correspondiente haciendo clic.
5. Repetir el proceso en el otro lado. Asegurarse de que ambos lados están configurados a la misma altura y que están bien fijados.

3.6.3 Altura de las empuñaduras (ajuste sin tramos)

Fijación de la palanca

1. Girar la palanca de la empuñadura (4) para aflojarla.
2. Deslizar la empuñadura hacia arriba o abajo hasta alcanzar la altura deseada.
3. Fijar la empuñadura en esa posición volviendo a apretar la palanca (40).
4. Repetir el proceso con la otra empuñadura. Asegurarse de que ambas empuñaduras están configuradas a la misma altura y de que están bien fijadas.



Fijación del mango

1. Girar el mango de la empuñadura (30) dándole un par de vueltas en el sentido contrario a las agujas del reloj.
2. Deslizar la empuñadura hacia arriba o abajo hasta alcanzar la altura deseada.
3. Fijar la empuñadura en esa posición volviendo a apretar el mango girándolo en la dirección de las agujas del reloj.
4. Repetir el proceso en el otro lado. Asegurarse de que ambos lados están configurados a la misma altura y que están bien fijados.



3.7 Traslado a/desde de la silla de ruedas

 PRECAUCIÓN

Riesgo de lesiones y daños

- En caso de que no se pueda hacer el traslado de manera segura, pedir ayuda a alguien.

- No apoyarse sobre los reposapiés durante el traslado a la silla o desde la misma.

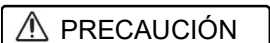
Traslado

1. Colocar la silla de ruedas lo más cerca posible del usuario mientras este esté sentado en su silla, sofá, asiento o cama.
1. Accionar ambos frenos de estacionamiento para impedir el movimiento; ver apartado 3.1.
2. Si es posible, plegar las paletas del reposapiés hacia arriba para evitar que el usuario no pueda apoyarse en ellas.
3. Trasladarse hacia/de la silla de ruedas utilizando la fuerza de los brazos o con la ayuda de un asistente o un equipo de elevación.

Sentarse en la silla de ruedas

1. Sentarse sobre el asiento apoyando la zona lumbar contra el respaldo.
2. Si corresponde, girar las paletas del reposapiés hacia abajo y colocar los pies sobre ellas.

3.8 Conducción



Riesgo de lesiones y daños

- Antes de cada uso, asegurarse de que:
 - los frenos de estacionamiento funcionan adecuadamente.
 - los neumáticos están en buen estado, ver apartado 4.
- Tener cuidado de no pillarse los dedos con los radios de las ruedas.
- No manipular los aros propulsores con las manos mojadas.
- Tener cuidado de no pillarse las manos con los aros propulsores cuando se esté atravesando espacios muy estrechos.
- NO conducir en pendientes o sobre obstáculos, escalones o bordillos que excedan las dimensiones que se detallan en el apartado 5.
- Cuando se detenga en una pendiente (no muy inclinada), utilizar los frenos.
- Asegurarse de que las cuatro ruedas están en contacto con el suelo cuando se esté subiendo o bajando una pendiente.
- A la hora de conducir en zonas de pendiente, hacerlo lo más despacio posible.
- Permanecer siempre en la zona pavimentada cuando se circule por vías públicas.
- Prestar atención a la carretera para detectar baches o grietas en los que puedan quedar atrapadas las ruedas.
- Evitar las piedras u otros objetos que puedan bloquear las ruedas.
- Asegurarse de que el reposapiés no choca contra el suelo cuando se esté atravesando un obstáculo.
- No utilizar la silla de ruedas en escaleras mecánicas.
- Si se dispone de él, abrocharse el cinturón de seguridad.
- Téngase siempre en cuenta el alcance de giro del reposapiés para evitar lesionar a otras personas o dañar objetos.
- Si no se tiene suficiente experiencia manejando la silla de ruedas, pedir ayuda a un auxiliar. Mantener los brazos alejados de las ruedas y los pies sobre el reposapiés.
- A la hora de atravesar escaleras, se debe contar siempre con la ayuda de dos auxiliares.
- No tratar nunca de utilizar escaleras que no estén diseñadas para sillas de ruedas.

3.8.1 Conducir la silla de ruedas:

1. Soltar los frenos.
2. Agarrar ambos aros propulsores desde el punto más alto.

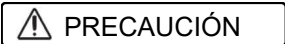


3. Inclinarsse hacia adelante y empujar los aros propulsores hacia adelante hasta que sus brazos queden rectos.
4. Mover las manos de nuevo hacia la parte más alta de los aros y repetir el movimiento.

ES

4 Mantenimiento

4.1 Puntos de mantenimiento



Riesgo de lesiones y daños

Cualquier reparación o cambios sólo pueden llevarse a cabo por personal debidamente cualificado y sólo pueden utilizarse piezas de recambio Vermeiren originales.

i La frecuencia de los mantenimientos depende de la frecuencia e intensidad de uso. Póngase en contacto con su distribuidor para acordar un horario común para realizar inspecciones, mantenimientos y reparaciones.

Para consultar el manual de mantenimiento, visite el sitio web de Vermeiren: www.vermeiren.com.

Antes de cada uso

Inspeccionar los siguientes aspectos:

- Todas las piezas: Presentes y sin daños o desgastes.
- Todas las piezas: Limpieza, ver apartado 4.2.2.
- Ruedas, respaldo, asiento, soportes para pantorrillas, reposabrazos, reposapiés: Bien asegurados.
- Estado de las ruedas/los neumáticos, ver apartado 4.2.1;
- Estado de las piezas del bastidor: Sin deformaciones, inestabilidad, debilidad o conexiones sueltas
- Asiento, respaldo, almohadillas para los brazos y para las pantorrillas, reposacabezas (si corresponde): Sin desgaste excesivo (como abolladuras, daños o grietas).
- Frenos: Sin deterioro y en buen estado de funcionamiento

Póngase en contacto con el distribuidor especializado para posibles reparaciones o sustitución de piezas.

Anualmente o más regularmente

La silla de ruedas debe superar una inspección y una sesión de mantenimiento realizados por el distribuidor especializado por lo menos una vez al año, o con mayor frecuencia. La frecuencia mínima de mantenimiento depende del uso y debe, por tanto, acordarse mutuamente con el distribuidor especializado.

4.2 Instrucciones de mantenimiento

4.2.1 Ruedas y neumáticos

i El correcto funcionamiento de los frenos depende del estado de los neumáticos y puede cambiar debido al desgaste o la suciedad (agua, aceite, barro...).

Mantener las ruedas libres de cables, pelos, arena y fibras.

Comprobar el perfil de los neumáticos. Si la profundidad del dibujo es inferior a 1 mm, deben sustituirse los neumáticos. Ponerse en contacto con su distribuidor especializado a este respecto. Hinchar cada neumático hasta alcanzar la presión correcta (ver la indicación de presión en los neumáticos).

4.2.2 Limpieza

PRECAUCIÓN

Riesgo de daños por humedad

- No utilizar nunca una manguera o un limpiador a alta presión para limpiar la silla de ruedas.

Limpiar todas las piezas rígidas de la silla de ruedas con un paño húmedo (no empapado). Si fuera necesario, utilizar un jabón suave que sea apto para limpiar superficies barnizadas y sintéticas.

La tapicería puede limpiarse con agua templada y jabón suave. No utilizar productos de limpieza abrasivos.

ES

4.2.3 Desinfección

PRECAUCIÓN

Riesgo de daños

- La desinfección sólo puede llevarla a cabo personal debidamente cualificado. Consultar con su distribuidor especializado al respecto.

4.3 Resolución de problemas

Aunque se utilice la silla de ruedas de la manera indicada, a veces pueden surgir problemas técnicos. En ese caso, póngase en contacto con su distribuidor especializado.

 **AVISO**

Riesgo de lesiones y daños a la silla de ruedas

- No intentar NUNCA reparar la silla de ruedas por cuenta propia.

Los siguientes signos pueden ser indicadores de un problema grave. Se recomienda, por tanto, ponerse en contacto con su distribuidor especializado si nota los siguientes problemas:

- Ruidos extraños;
- Desgaste desigual de la banda de uno de los neumáticos;
- Movimientos bruscos;
- La silla de ruedas se desvía a un lado;
- Ensamblajes de las ruedas dañados o rotos.

4.4 Vida útil prevista

La vida útil media de la silla de ruedas es de 5 años. La vida útil aumentará o disminuirá dependiendo de la frecuencia de uso, las circunstancias de conducción y el mantenimiento.

4.5 Reutilizar

Antes de reutilizar la silla de ruedas, desinfectarla, inspeccionarla y hacer que pase por un mantenimiento según las instrucciones en el §4.1 y el §4.2.

4.6 Fin de vida útil

Al final de la vida útil, deberá desechar la silla de ruedas siguiendo las leyes medioambientales de su localidad. Para transportar materiales reciclables de la silla de ruedas de manera más cómoda, se recomienda que se desmonte primero.

5 Especificaciones técnicas

Los datos técnicos expuestos a continuación son sólo válidos para esta silla de ruedas, con configuración estándar y en condiciones ambientales óptimas. Tener en cuenta estos datos durante la utilización de la silla para ducha.

Los valores aquí expuestos dejarán de ser aplicables si la silla de ruedas ha sido modificada, se ha dañado, o sufre de un desgaste intenso.

ES

Tabla 1: Especificaciones Técnicas

Marca	VERMEIREN	
Tipo	Silla de ruedas	
Modelo	Trigo S	
Descripción	Especificaciones	
Peso máx. del usuario	Para una anchura del asiento de hasta 360 mm con una sola cruceta: 70 kg Para una anchura del asiento de 380 a 460 mm con una cruceta de 1,5: 130 kg Para una anchura del asiento de 480 a 500 mm con doble cruceta: 130 kg	
Estabilidad estática	5 °	
Dimensiones	Mín.	Máx.
Longitud total	676 mm	1046 mm
Longitud desmontada (ruedas desmontadas)	650 mm	855 mm
Anchura desmontada (ruedas desmontadas)	386 mm	586 mm
Altura plegada (según diámetro de ruedas)	457 mm	660 mm
Altura de silla de ruedas (depende del tipo de ruedas, el ajuste, las empuñaduras y la altura del respaldo)	457 mm	945 mm
Altura plegada sin ruedas	Máx. 428 mm	
Anchura del asiento	300 mm	500 mm
Anchura total en mm (ruedas traseras de 24", caída de 0°):	460 mm	660 mm
Longitud de la silla de ruedas (según la profundidad del asiento, el tipo de rueda trasera, el tipo de paleta de reposapiés y el ajuste)	676 mm	1046 mm
Profundidad de lona – Profundidad de asiento	320 mm	500 mm
Altura el respaldo, ajustable	(en tramos de 25 mm)	
Resp. no plegable	250 - 300 mm	
Resp. no plegable	300 - 350 mm	
Resp. plegable	350 - 400 mm	
Resp. plegable	400 - 450 mm	
Resp. plegable	450 - 500 mm	
Altura del respaldo, fijo, plegable	(en tramos de 20 mm) 250 - 510 mm	

Altura del asiento en el borde frontal respecto de las ruedas delanteras Rueda delantera de 3" Rueda delantera de 4" Rueda delantera de 5" Rueda delantera de 6"	(en tramos de 10 mm) 380 - 470 mm 390 - 490 mm 410 - 500 mm 430 - 510 mm
Altura del asiento en el borde trasero del asiento, en función de la rueda trasera Rueda trasera de 18" Rueda trasera de 20" Rueda trasera de 22" Rueda trasera de 24" Rueda trasera de 26"	(en tramos de 10 mm) 315 - 415 mm 335 - 435 mm 355 - 465 mm 385 - 495 mm 405 - 515 mm
Distancia entre placa lateral/guardabarros y asiento	0 mm
Distancia entre la paleta del reposapiés y el asiento	(en tramos de 20 mm) 220 - 500 mm
Longitud del reposapiés, ajustable	220 mm 480 mm
Ángulo plano del asiento ajustable	20°
Ángulo entre asiento y reposapiés	Fijo, 70 ° u 80 °
Ángulo entre paleta y reposapiés	Infinito (sin tramos)
Peso	
Peso total	A partir de 11 kg
Peso de la parte más pesada (sin el cojín de asiento y respaldo, ruedas)	8,2 kg
Peso de las piezas desmontables: Rueda de 24" Cojín del respaldo Cojín del asiento Empuñadura (ajustable)	3,1 kg 0,4 kg 0,4 kg 0,4 kg
Ruedas	
Configuración por defecto de ángulo de caída de las ruedas traseras, ajustable	0 ° 2 ° 4 ° 6 °
Ruedas delanteras	3" - 4" - 5" - 6"
Ruedas traseras	18" - 20" - 22" - 24" - 26"
Diámetro del aro propulsor	400 mm - 440 mm - 500 mm - 535 mm - 600 mm
Presión de los neumáticos, ruedas traseras	2,5 - 10 bar
Medio ambiente	
Pruebas de resistencias de conformidad con	ISO 7176-8
Inflamabilidad de la tapicería de acuerdo con	EN 1021-2
Calificación global del alojamiento del cinturón de seguridad	C
Temperatura de almacenamiento y uso	+5 °C ~ +41 °C
Humedad de almacenamiento y uso	30 % ~ 70 %
Nos reservamos el derecho a introducir cambios técnicos. Tolerancia dimensional ± 15 mm / 1,5 kg / 1,5 °.	

Spis treści

Spis treści	1
Przedmowa	2
1 Państwa produkt	3
1.1 Akcesoria	4
2 Przed użyciem	5
2.1 Użytkowanie zgodnie z przeznaczeniem.....	5
2.2 Ogólne instrukcje dotyczące bezpieczeństwa	5
2.3 Transport.....	6
2.4 Składanie - rozkładanie	8
2.5 (De)Montaż tylnych kół.....	9
2.6 Przechowywanie	9
3 Korzystanie z wózka inwalidzkiego	10
3.1 Hamulce postojowe	10
3.2 Dźwignie popychania	10
3.3 Podłokietniki – Płyty boczne	11
3.4 Składane oparcie	11
3.5 Zabezpieczenie przed przewróceniem (opcjonalne)	11
3.6 Regulacja komfortu	11
3.7 Przechodzenie na / schodzenie z wózka inwalidzkiego	12
3.8 Jazda.....	13
4 Konserwacja	14
4.1 Punkty konserwacji.....	14
4.2 Instrukcje konserwacji	14
4.3 Rozwiązywanie problemów	15
4.4 Oczekiwany okres użytkowania	15
4.5 Ponowne użycie	15
4.6 Zakończenie użytkowania	15
5 Dane techniczne	16

Przedmowa

Gratulacje! Stali się Państwo posiadaczem wózka inwalidzkiego Vermeiren!

Ten wózek inwalidzki został wykonany przez wykwalifikowany i zaangażowany personel. Został on zaprojektowany i wyprodukowany według wysokiej jakości standardów stosowanych przez firmę Vermeiren.

Proszę starannie zapoznać się z niniejszą instrukcją; pomoże ona Państwu zapoznać się z eksploatacją, możliwościami i ograniczeniami swojego wózka. Jeżeli wciąż mają Państwo pytania po przeczytaniu niniejszej instrukcji, proszę niezwłocznie skontaktować się ze swoim specjalistycznym dystrybutorem. Chętnie on Państwu pomoże.

Ważna informacja

Aby zagwarantować bezpieczeństwo i wydłużyć okres eksploatacji swojego produktu proszę o niego dbać oraz regularnie kontrolować i serwisować.

Niniejsza instrukcja odzwierciedla najnowszy stan rozwoju produktu. Firma Vermeiren jest uprawniona do wdrażania zmian tego typu produktu bez zobowiązań do dostosowywania lub wymiany podobnych produktów dostarczonych wcześniej.

Ilustracje służą objaśnieniu wskazówek w niniejszej instrukcji. Szczegóły odnośnie przedstawionego produktu mogą różnić się od Państwa produktu.

Dostępne informacje

Na naszej stronie internetowej <http://www.vermeiren.com/> można zawsze znaleźć najnowszą wersję informacji. Proszę regularnie sprawdzać tę stronę internetową pod kątem ewentualnych aktualizacji.

Osoby niewidome lub niedowidzące mogą pobrać elektroniczną wersję niniejszej instrukcji i odsłuchać ją przez aplikację programową syntezatora mowy.



Instrukcja obsługi

Dla użytkownika i specjalistycznego dystrybutora



Instrukcja instalacji

Dla specjalistycznego dystrybutora



Instrukcja serwisowa dla wózków inwalidzkich
dystrybutora

Dla specjalistycznego



Deklaracja zgodności WE

1 Państwa produkt

Wózek inwalidzki Trigo S jest aktywnym, składanym wózkiem inwalidzkim, z jednym stałym podnóżkiem oraz z szerokim zakresem opcji regulacji. Jest on łatwy w obsłudze przez użytkownika i może być użytkowany zarówno wewnątrz, jak i na zewnątrz pomieszczeń. Trigo S jest dostępny w kilku wersjach oraz z opcjami przedstawionymi na naszej stronie internetowej, patrz też §5.

PL

1. Oparcie
2. Płyta boczna / podłokietnik
3. Siedzisko
4. Rama
5. Płyta podnóżka
6. Przednie koło
7. Tylne koło
8. Uchwyt do popychania (opcjonalny)
9. Podnóżek
10. Hamulec
11. Tabliczka identyfikacyjna



1.1 Akcesoria

Dla Trigo dostępne są następujące akcesoria:

- Uchwyt na kulę
- Koło zapobiegające przewróceniu
- Kółka podróżne
- Poprzeczka stabilizująca oparcie
- Pelota – podpora boczna lewa/prawa
- Koła terenowe 24”
- Pokrywa żelowa na obręcz napędową
- Osłona szprych
- Przednie podparcie miednicy

PL

2 Przed użyciem

Niniejsza instrukcja ma zastosowanie do wózka Trigo S we wszystkich jego konfiguracjach.

2.1 Użytkowanie zgodnie z przeznaczeniem

- Ten wózek inwalidzki jest przeznaczony do użytkowania wewnątrz i na zewnątrz pomieszczeń.
- Ten wózek inwalidzki został zaprojektowany i wyprodukowany wyłącznie do transportu/przemieszczania jednej (1) osoby o ciężarze maksymalnym podanym w specyfikacji technicznej w §5. Nie jest on przeznaczony do transportowania towarów lub przedmiotów, ani do użytku wykraczającego poza wcześniejszy opis.
- Ten wózek inwalidzki może być obsługiwany przez użytkownika siedzącego na wózku inwalidzkim. Po zamontowaniu uchwytów do popychania może być również obsługiwany przez pomocnika.
- Ten wózek inwalidzki NIE MOŻE być obsługiwany przez osobę cierpiącą na zaburzenia psychiczne lub umysłowe, które mogą narazić tę osobę lub inne osoby na zagrożenie podczas jazdy wózkiem. Z tego powodu należy najpierw skonsultować się z lekarzem i upewnić się, że specjalistyczny dystrybutor został poinformowany odnośnie jego porady.
- Używać tylko akcesoriów i części zamiennych zatwierdzonych przez Vermeiren.
- Proszę zapoznać się z wszystkimi szczegółami technicznymi i ograniczeniami odnośnie swojego wózka inwalidzkiego w §5.
- Gwarancja na ten produkt bazuje na normalnej eksploatacji i konserwacji, opisanej w niniejszej instrukcji. Uszkodzenia produktu spowodowane nieprawidłowym użytkowaniem lub brakiem konserwacji spowoduje wygaśnięcie gwarancji.

PL

2.2 Ogólne instrukcje dotyczące bezpieczeństwa



Ryzyko obrażeń i / lub uszkodzeń

Dokładnie przeczytać i przestrzegać wskazówki zamieszczone w niniejszej instrukcji.

Podczas użytkowania należy pamiętać o ostrzeżeniach ogólnych:

- Nie korzystać z wózka inwalidzkiego będąc pod wpływem alkoholu, leków lub innych substancji mogących wpływać na zgodności do jazdy.
- Należy pamiętać, że niektóre części wózka mogą się mocno rozgrzewać lub ochładzać pod wpływem temperatury zewnętrznej, promieniowania słonecznego lub urządzeń grzewczych. Zachować ostrożność podczas dotykania. Nosić odzież ochronną podczas chłodnej pogody. Będąc na zewnątrz można założyć rękawice do jazdy, poprawiając chwytność obręczy napędowej.
- Bez konsultacji z producentem wózka nie wolno w żaden sposób modyfikować ani wymieniać punktów bezpieczeństwa wózka, części i elementów konstrukcyjnych i ramy.

Korzystając z wózka inwalidzkiego musisz być świadomym, że w zależności od użytych ustawień może on kolidować z niektórymi systemami antykradzieżowymi. Może to spowodować uruchomienie alarmu w sklepie.

W przypadku wystąpienia poważnego incydentu z udziałem produktu, należy powiadomić firmę Vermeiren lub specjalistycznego sprzedawcę, jak również właściwe władze w swoim kraju.

Symbole przedstawione w poniższej liście mogą dotyczyć Państwa wózka. Symbole można znaleźć w odpowiednich normach ISO (ISO 7000, ISO 7001 oraz IEC 417).



Maksymalny ciężar użytkownika w kg



Stosowanie w pomieszczeniach/na zewnątrz

Maksymalne bezpieczne nachylenie w ° (stopniach)

Oznaczenie typu

Ryzyko uwięzienia

2.3 Transport

2.3.1 Transport w pojeździe jako bagaż

1. Jaku użytkownik, podjechać do siedzenia pojazdu, patrz §3.7.
2. Złożyć wózek inwalidzki do najbardziej kompaktowej wielkości zgodnie z instrukcją w § 2.4.
3. Umieścić wózek inwalidzki i jego koła w przedziale bagażowym lub za siedzeniem pasażera. Jeżeli bagaż i przedział pasażera NIE są oddzielone lub zamknięte, przymocować bezpiecznie ramę wózka inwalidzkiego do pojazdu. Można skorzystać z dostępnego pasa bezpieczeństwa w pojeździe. Nigdy nie używać tego samego pasa dla pasażera i dla wózka.

2.3.2 Transport w pojeździe jako siedzisko dla użytkownika (tylko dla Trigo z oparciem stałym)



OSTRZEŻENIE

Ryzyko obrażeń



- Dla Trigo z rozkładanym/regulowanym kątowno oparciem: NIE używać wózka inwalidzkiego jako siedzenia w pojeździe, patrz kolejny symbol.
- Niniejszy wózek inwalidzki przeszedł pomyślnie test zderzeniowy ISO 7176-19: 2008. Jego konstrukcja i wyniki testu umożliwiają używanie go jako siedziska w pojeździe silnikowym wyłącznie przodem do kierunku jazdy. Rozmiar wózka inwalidzkiego i promień skrętu mogą mieć znaczący wpływ na łatwość wsiadania i manewrowania w pojazdach mechanicznych.
- Sam pas biodrowy nie nadaje się jako pas zabezpieczający pasażerów.
- Należy używać pasa biodrowego wózka oraz dostępnych pasów trzypunktowych w pojeździe, aby zapobiec uderzeniom głowy i klatki piersiowej o elementy pojazdu.
- Nie używać elementów wspierających postawę, aby przytrzymać użytkownika w pojeździe, jeśli nie są one oznaczone jako zgodne z wymaganiami normy ISO 7176-19:2008.
- Jeśli wózek będzie uczestniczył w jakiegokolwiek kolizji pojazdu, powinien zostać przed ponownym użyciem sprawdzony przez wyspecjalizowanego sprzedawcę lub producenta.

Wózek inwalidzki jest przetestowany przy użyciu czterech punktów mocujących i z 3-punktowym system mocowania pasażera.

Gdy jest to możliwe, należy użyć siedzeń pojazdu a wózek przewozić w przestrzeni ładunkowej pojazdu.

Czynności, aby zabezpieczyć wózek w pojeździe:

1. Sprawdź, czy pojazd jest wyposażony w odpowiedni system przytrzymujący wózek i pasażera, zgodnie z normą ISO 10542.
2. Sprawdź, czy elementy wózka i urządzenie przytrzymujące, nie są postrzępione, skażone, uszkodzone.
3. Jeśli wózek wyposażony jest w regulowany fotel i/lub oparcie, upewnij się, że ww. elementy są ustawione w pozycji pionowej a pasażer w wózku inwalidzkim siedzi w pozycji pionowej. Jeśli stan pasażera nie pozwala na takie ułożenie, należy ocenić ryzyko, aby zapewnić bezpieczeństwo pasażera podczas transportu.
4. Usuń wszystkie zamontowane akcesoria takie jak stoliki, respirator itp. i przymocuj je w bezpiecznym miejscu.

5. Wózek ustawić do przodu w kierunku jazdy, centralnie między szynami mocującymi zamontowanymi w podłodze pojazdu.
6. W pierwszej kolejności zamontuj pasy mocujące z przodu wózka zgodnie z instrukcją producenta systemu mocującego we wskazane miejsce (Rysunek 1). Miejsce mocowania jest zaznaczone na wózku inwalidzkim z symbolem (Rysunek 2).
7. Wycofaj wózek do momentu aż pasy z przodu się napną.
8. Załącz hamulec w wózku inwalidzkim.
9. Następnie zamontuj pasy mocujące na tylnej ramie wózka we wskazanym miejscu zgodnie z instrukcją producenta systemu pasów (Rysunek 1). Miejsce jest zaznaczone na wózku inwalidzkim z symbolem (Rysunek 2).



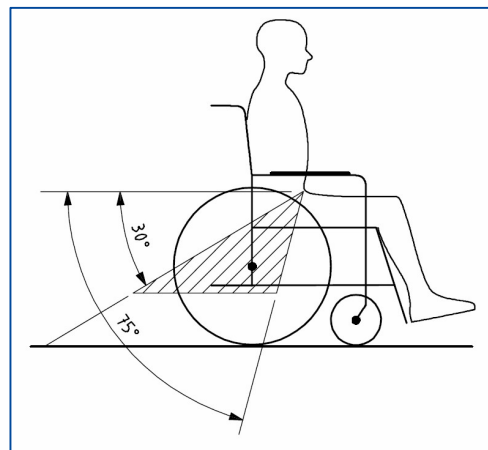
Rysunku 1



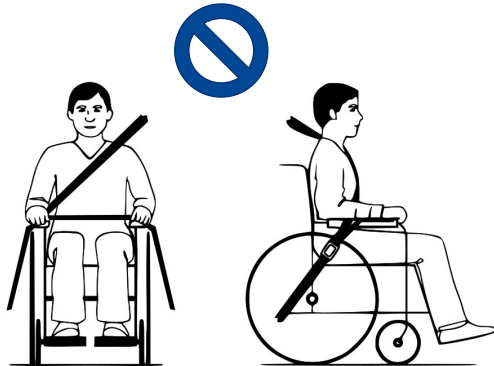
Rysunku 1

Kroki w celu zapewnienia bezpieczeństwa użytkownikowi wózka inwalidzkiego:

1. Wyjmij oba podłokietniki.
2. Jeśli występuje, dołącz wózka pas biodrowy.
3. Dołącz pasy zabezpieczające pasażera zgodnie z instrukcją producenta pasów.
4. Pas biodrowy, powinien być tak zamontowany, aby kąt pasa znajdował się w strefie 30° do 75° do poziomu, tak jak pokazano na zdjęciu.
5. Preferowany jest większy kąt zapięcia.
6. Dostosuj naciąg pasa ściśle według instrukcji producenta pasów tak, aby zapewnić komfort użytkownika.
7. Upewnij się, że taśmy przytrzymujące łączą się w linii prostej do punktu zakotwiczenia w samochodzie i nie się nigdzie blokowane na przykład na osi tylnego koła.
8. Zainstaluj podłokietniki, upewnij się, że pasy nie są skręcone i przechodzą z dala od ruchomych elementów wózka inwalidzkiego, takich jak podłokietniki czy koła.
9. Klamrę pasa ustawić tak, aby przycisk zwalniania nie dotykał do elementów wózka w razie zderzenia.
10. Upewnić się, że pasy barkowe przebiegają przez barki, patrz ilustracja 4.



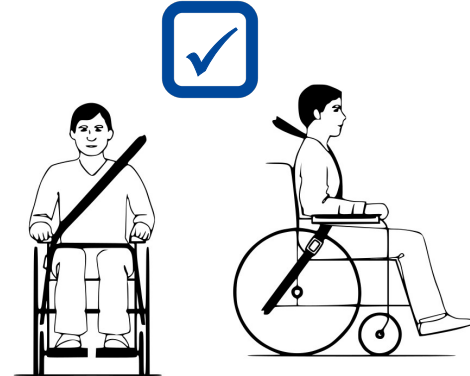
Pasy nie mogą być odsunięte od ciała przez elementy wózka, takie jak podłokietniki lub koła.



Ilustracja 3 Nieprawidłowe zamocowanie pasa

Pasy stykają się w pełni z barkiem, klatką piersiową i miednicą.

Pas biodrowy nisko na miednicy, blisko stawu biodrowego



Ilustracja 4 Prawidłowe zamocowanie pasa

2.4 Składanie - rozkładanie

UWAGA

Ryzyko obrażeń i / lub uszkodzeń

- Upewnić się, że palce nie zostały uwięzione w punkcie osi przegubu uchwytów i krzyża ramy.
- Należy zawsze zwracać uwagę na zakres obrotu płyty podnóżka, aby nie spowodować obrażeń ciała osób w pobliżu czy uszkodzenia przedmiotów.

Składanie wózka inwalidzkiego:

1. Pociągnąć poduszkę siedziska i wyjąć ją.
2. W zależności od typu płyty podnóżka (8):
 - Otwarta płyta podnóżka: Odblokować o obrócić w górę
 - Składana płyta podnóżka: Podnieść w górę, aby złożyć
3. Chwycić przód i tył siedziska (15) na środku i pociągnąć, aby zamknąć.
4. Złożyć ze sobą rury ramy (5).
5. W razie konieczności wyjąć tylne koła §2.5.



Rozkładanie wózka inwalidzkiego:

1. Pociągnąć rury ramy siedziska (5) na zewnątrz i popchnąć ramę siedziska w dół z lewej i prawej strony do momentu wypłaszczenia siedziska i zablokowania ramy na miejscu.
2. Jeżeli zostały zdjęte, zamontować tylne koła, patrz §2.5.
3. Zamontować poduszkę siedziska (4) na paskach z rzepami siedziska. Upewnić się, że paski na poduszce siedziska leżą poprzecznie na paskach siedziska.
4. W zależności od typu płyty podnóżka (8):
 - Otwarta płyta podnóżka: Obrócić w dół do zablokowania.
 - Składana płyta podnóżka: Nacisnąć w dół do zablokowania.

2.5 (De)Montaż tylnych kół

Sposób demontażu tylnych kół

1. Nacisnąć i przytrzymać przycisk (43) wysuwając oś koła z otworu ramy.
2. Powtórzyć czynność dla drugiego koła i umieścić wózek inwalidzki delikatnie na tylnych rurach ramy.

Sposób instalacji tylnych kół

1. Wziąć jedno z tylnych kół i podnieść wózek inwalidzki z jednej strony.
2. Nacisnąć i przytrzymać przycisk (43) wsuwając koło na oś.
3. Zwolnić przycisk, aby zablokować koło. Upewnić się, że zatrzasnęło się z kliknięciem.
4. Powtórzyć tę czynność dla drugiego koła.
5. Upewnić się, że oba są mocno dokręcone.



PL

2.6 Przechowywanie

- i** Wózek inwalidzki powinien być przechowywany w suchym środowisku, aby zapobiec tworzeniu się na nim pleśni i uszkodzeniu tapicerki, patrz też rozdział 5.

3 KORZYSTANIE Z WÓZKA INWALIDZKIEGO

UWAGA

Ryzyko obrażeń i / lub uszkodzeń

Upewnić się, że ręce, odzież, pasy, sprzączki lub biżuteria nie zablokują się w kołach lub innych ruchomych częściach podczas użytkowania lub regulacji.

PL

3.1 Hamulce postojowe

UWAGA

Ryzyko obrażeń i / lub uszkodzeń

- Nigdy nie zwalniać obu hamulców równocześnie.
- Hamulce mogą być regulowane przez wyspecjalizowanego dystrybutora.
- Nie używać hamulców postojowych do zwalniania wózka podczas ruchów.

Hamulce dźwigniowe

i Hamulec dźwigniowy może być montowany na dwa sposoby (w dwóch kierunkach), co do których decyzja jest podejmowana podczas zamawiania wózka. W zależności od wybranego kierunku, hamulec należy popchnąć lub pociągnąć celem uruchomienia.



Zwalnianie hamulców (A):

1. Chwycić jedną obręcz napędową jedną ręką.
2. Popchnąć lub pociągnąć dźwignię (10) DRUGIEGO koła.
3. Powtórzyć dla drugiego koła i hamulca postojowego.



Zaciąganie hamulców (B):

1. Chwycić jedną obręcz napędową jedną ręką.
2. Popchnąć lub pociągnąć drążek (10) DRUGIEGO koła do momentu wycucia wyraźnej blokady.
3. Powtórzyć dla drugiego koła i hamulca postojowego.

Hamulce sportowe

Hamulce sportowe są umieszczone pod siedzeniem.

Zwalnianie hamulców:

1. Chwycić jedną obręcz napędową jedną ręką.
2. Popchnąć dźwignię DRUGIEGO koła DO PRZODU.
3. Powtórzyć dla drugiego koła i hamulca postojowego.



Zaciąganie hamulców:

1. Chwycić jedną obręcz napędową jedną ręką.
2. Popchnąć drążek DRUGIEGO koła DO TYŁU momentu wycucia wyraźnej blokady.
3. Powtórzyć dla drugiego koła i hamulca postojowego.

3.2 Dźwignie popychania

W zależności od wybranej konfiguracji wózek inwalidzki może zostać dostarczony bez dźwigni popychania lub może zostać wyposażony w normalne dźwignie lub składane dźwignie.

3.3 Podłokietniki – Płyty boczne

W zależności od wybranych konfiguracji, wózek inwalidzki może zostać wyposażony w wiele różnych podłokietników:

- Stałe płyty boczne bez podłokietników
- Stałe płyty boczne z podłokietnikami
- Składane rurowe podłokietniki
- Zdemontowane płyty boczne

PL

3.4 Składane oparcie

Składanie oparcia na siedzisko

1. Ostrożnie pociągnąć tylny pasek (20). Trzpienie bezpieczeństwa mechanizmu składania (21) są zwolnione.
2. Popchnąć oparcie w dół na siedzisko.

Pociąganie oparcia w górę

1. Pociągnąć oparcie w górę do momentu kliknięcia w pozycji.
3. Upewnić się, że oba trzpienie zabezpieczające zablokowały się w otworach mechanizmu składania (21).
4. Sprawdzić poruszając oparciem.



3.5 Zabezpieczenie przed przewróceniem (opcjonalne)

Urządzenie zabezpieczające przed przewróceniem zapobiega przewróceniu wózka inwalidzkiego to tyłu. Gdy urządzenie nie jest potrzebne, można je odchylić w bok pociągając pionowy profil (16) w dół i obracając go w kierunku przodu wózka, aż zaskoczy na swoje miejsce.

Aby wyregulować wysokość urządzenia zapobiegającego wywróceniu zgodnie z położeniem i rozmiarem tylnych kół:

1. Poluzuj pokrętkę gwiazdziste (17), aż rura wewnętrzna zabezpieczenia przed przewróceniem będzie mogła zostać przesunięta w podporze.
2. Przesuwaj zabezpieczenie przed przewróceniem w górę / w dół, aż do żądanej pozycji.
3. Dokręć pokrętkę gwiazdziste (17).

Zabezpieczenie przed przewróceniem powinno znajdować się około 15-20 mm nad ziemią.



3.6 Regulacja komfortu

UWAGA

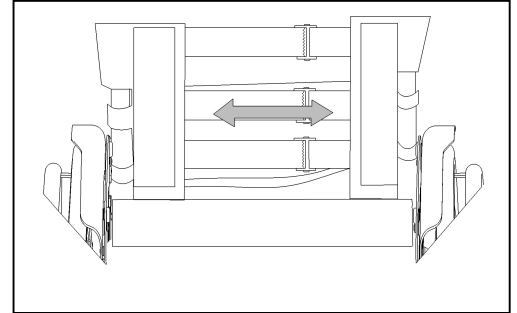
Ryzyko obrażeń i / lub uszkodzeń

- Opiekun lub pomocnik mogą przeprowadzać następujące regulacje komfortu. Wszelkie inne regulacje są wykonywane przez wykwalifikowanego dystrybutora (patrz instrukcja instalacji).
- Należy zawsze zwracać uwagę na zakres obrotu płyty podnóżka, aby nie spowodować obrażeń ciała osób w pobliżu czy uszkodzenia przedmiotów.
- Upewnić się, że palce, odzież, sprzączki nie zablokują się podczas użytkowania lub regulacji.

3.6.1 Szerokość oparcia i podparcie

Oparcie wózka inwalidzkiego ma układ zawieszenia z regulowanymi paskami z rzepami do regulacji szerokości i elastyczności oparcia.

1. Pociągnąć poduszkę oparcia z pasków z rzepami oparcia.
2. Poluzować paski na rzepy.
3. Pociągnąć odpowiedni pasek w żądane położenie. Naprężenie poszczególnych pasków można zmieniać, a żądane podparcie pleców ustawić.
4. Umieścić poduszkę oparcia ponownie na oparciu, rozpoczynając od przodu i kończąc z tyłu.
5. Zabezpieczyć połączenia pasków z rzepami dociskając poduszkę do oparcia ręką.
6. Upewnić się, że wszystkie paski zostały zabezpieczone paskami z rzepami.



3.6.2 Wysokość oparcia (regulacja krokowa)

1. Wyjąć tylną poduszkę.
2. Nacisnąć przycisk sprężyny umieszczony z tyłu rury tylnej ramy.
3. Przesunąć oparcie w górę/w dół na żądaną wysokość.
4. Upewnić się, że przycisk sprężyny ponownie zatrzasnął się w odpowiednim otworze.
5. Powtórzyć to samo dla drugiej strony. Upewnić się, że oba strony są ustawione na tę samą wysokość i że zostały mocno przykręcone.

3.6.3 Wysokość dźwigni popychania (bezstopniowa regulacja)

Dźwignia mocująca

1. Obrócić dźwignię popychania (40), aby ją zwolnić.
2. Przesunąć dźwignię popychania w górę/w dół na żądaną wysokość.
3. Zabezpieczyć uchwyt dokręcając dźwignię (40).
4. Powtórzyć dla drugiej dźwigni popychania. Upewnić się, że oba uchwyty są ustawione na tę samą wysokość i że zostały mocno przykręcone.



Pokrętło ustalające

1. Obrócić pokrętło dźwigni popychania (30) o kilka obrotów w lewo.
2. Przesunąć dźwignię popychania w górę/w dół na żądaną wysokość.
3. Zabezpieczyć uchwyt dokręcając pokrętło; obrócić w prawo.
4. Powtórzyć to samo dla drugiej strony. Upewnić się, że oba strony są ustawione na tę samą wysokość i że zostały mocno przykręcone.



3.7 Przechodzenie na / schodzenie z wózka inwalidzkiego

**UWAGA**

Ryzyko obrażeń i uszkodzeń

- Jeżeli nie da się wykonać transferu w bezpieczny sposób, należy poprosić kogoś o pomoc.
- Nie stawać na płycie podnóżka podczas transferu na lub z wózka inwalidzkiego.

Transfer

1. Umieścić wózek inwalidzki jak najbliżej siebie, siedząc na krześle, tapczanie, fotelu lub łóżku.
2. Zaciągnąć oba hamulce postojowe celem zablokowania ruchu, patrz §3.1.
3. Jeżeli to możliwe, złożyć otwartą płytę podnóżka w górę, aby zapobiec stawaniu na niej.
4. Przenieść się do / z wózka inwalidzkiego używając siły ramion lub korzystając z pomocy pomocnika (pomocników) lub urządzenia do podnoszenia.

Siadanie na wózku inwalidzkim

1. Usiąść na siedzeniu opierając się częścią lędźwiową o oparcie.
2. Jeżeli dotyczy, złożyć otwartą płytę podnóżka i umieścić stopy na płycie podnóżka.

3.8 Jazda

 UWAGA

Ryzyko obrażeń i uszkodzeń

- Przed każdym użyciem należy się upewnić, że:
 - hamulce postojowe działają prawidłowo,
 - opony są w dobrym stanie, patrz §4.
- Uważać, aby nie włożyć palców do szprych koła.
- Nie obsługiwać obręczy napędowej mokrymi rękami.
- Uważać zablokowanie rąk na obręczy napędowej przejeżdżając przez wąskie przejścia.
- NIE przejeżdżać po stromych nachyleniach, przeszkodach, stopniach lub krawężnikach większych, niż określono w §5.
- Zatrzymując się na (małym) nachyleniu należy użyć hamulców.
- Upewnić się, że wszystkie cztery koła dotykają podłoża podczas jazdy w górę i w dół po nachyleniu.
- Nachylenia pokonywać jak najwolniej.
- Jeżdżąc po drogach publicznych należy zawsze korzystać z chodnika.
- Zwracać uwagę, czy na drodze nie ma dziur ani szczelin, w których koła mogą zostać uwięzione.
- Unikać kamieni i innych obiektów, które mogą zablokować koła.
- Upewnić się, że płyta podnóżka nie dotyka podłoża pokonując przeszkodę.
- Nie korzystać z wózka inwalidzkiego w windzie.
- Jeżeli to możliwe, zapinać pas bezpieczeństwa.
- Należy zawsze zwracać uwagę na zakres obrotu płyty podnóżka, aby nie spowodować obrażeń ciała osób w pobliżu czy uszkodzenia przedmiotów.
- W przypadku braku doświadczenia w poruszaniu się wózkiem inwalidzkim należy poprosić o pomoc drugiej osoby. Odsunąć ręce od kół, a stopy położyć na płycie podnóżka.
- Stopnie należy pokonywać zawsze przy pomocy dwóch pomocników.
- Nie próbować korzystać ze schodów, które nie są przystosowane do wózków inwalidzkich.

3.8.1 Jazda wózkiem inwalidzkim:

1. Zwolnić hamulce.
3. Chwycić obie obręcze napędowe w najwyższym punkcie.
4. Pochylić się do przodu i popchnąć obręcze napędowe do przodu do momentu wyprostowania rąk.
5. Przenieść ręce ponownie na górną część obręczy napędowych i powtórzyć ruch.

4 Konservacja

4.1 Punkty konserwacji

 UWAGA

Ryzyko obrażeń i uszkodzeń

Naprawy i wymiana części mogą być przeprowadzane tylko przez przeszkolone osoby i wolno korzystać z oryginalnych części zamiennych Vermeiren.

i Częstotliwość serwisowania zależy od częstotliwości i intensywności użytkowania. Skontaktować się z dystrybutorem celem uzgodnienia harmonogramu inspekcji / konserwacji / naprawy.

Instrukcje dotyczące konserwacji znajdziesz na stronie internetowej firmy Vermeiren: www.vermeiren.pl.

Przed każdym użyciem

Przejrzeć następujące punkty:

- Wszystkie części: Obecne, nie uszkodzone i nie zużyte.
- Wszystkie części: Wyczyścić, patrz § 4.2.2.
- Koła, oparcie, siedzisko, podparcie łydki, podłokietnik, płyta podnóżka: Dobrze zabezpieczone.
- Stan kół/opon, patrz § 4.2.1;
- Stan części ramy: Brak deformacji, niestabilność, słabe lub luźne połączenia
- Siedzenie, oparcie, podpórki ramion, podpórki łydek i oparcia (jeżeli dotyczy): Brak nadmiernego zużycia (punkty wgniecia, uszkodzenia lub rozerwania).
- Hamulce: Nieuszkodzone i sprawne

Skontaktować się ze specjalistycznym dystrybutorem pod kątem ewentualnych napraw lub wymiany.

Raz w roku lub częściej

Co najmniej raz w roku lub częściej zlecać kontrolę i serwisowanie wózka inwalidzkiego wykwalifikowanemu dystrybutorowi. Minimalna częstotliwość konserwacji jest uzależniona od użytkowania i należy ją uzgodnić z wykwalifikowanym dystrybutorem.

4.2 Instrukcje konserwacji

4.2.1 Koła i opony

i Odpowiednie działanie hamulców jest uzależnione od stanu opon i może się zmieniać ze względu na zużycie i zanieczyszczenie (woda, olej, błoto, ...)

Usuwać z kół druty, włosy, piasek i włókna.

Sprawdzić profil opon. Jeżeli głębokość bieżnika jest mniejsza, niż 1 mm, opony należy wymienić. W tej sprawie należy skontaktować się ze specjalistycznym dystrybutorem.

Napompować każdą pneumatyczną oponę odpowiednim ciśnieniem (patrz informacja odnośnie ciśnienia na oponach).

4.2.2 Czyszczenie

 UWAGA

Ryzyko uszkodzenia przez wilgoć.

- Do czyszczenia wózka inwalidzkiego nie wolno nigdy stosować węża ani myjki ciśnieniowej.

Wytrzeć wszystkie sztywne części wózka wilgotną szmatką (nie wykręconą).

W razie konieczności użyć łagodnego mydła, odpowiedniego do lakierów i materiałów syntetycznych.

Tapicerkę można czyścić letnią wodą i łagodnym mydłem. Do czyszczenia nie używać szorstkich środków czyszczących.

4.2.3 Dezynfekcja

UWAGA

Ryzyko uszkodzenia

- Dezynfekcja może być przeprowadzana tylko przez przeszkolone osoby. Skonsultować się ze specjalistycznym dystrybutorem.

PL

4.3 Rozwiązywania problemów

Nawet w przypadku prawidłowego korzystania z wózka może wystąpić problem techniczny. W takim przypadku należy skontaktować się z lokalnym specjalistycznym dystrybutorem.



OSTRZEŻENIE

Ryzyko obrażeń i uszkodzenia wózka inwalidzkiego

- NIGDY nie próbować naprawiać wózka samodzielnie.

Poniższe symptomy mogą oznaczać poważny problem. Dlatego też w przypadku zauważenia poniższych niezgodności należy zawsze skontaktować się ze specjalistycznym dystrybutorem.

- Dziwne dźwięki;
- Nierównomierne zużycie bieżnika opon;
- Szarpane ruchy;
- Wózek inwalidzki ściąga na jedną stronę;
- Uszkodzone lub pęknięte zespoły koła.

4.4 Oczekiwany okres użytkowania

Przeciętny okres użytkowania wózka inwalidzkiego to 5 lat. Ten czas może być dłuższy lub krótszy, zależnie od częstotliwości korzystania, warunków jazdy i konserwacji wózka.

4.5 Ponowne użycie

Przed każdym ponownym użyciem wózek należy zdezynfekować, skontrolować i poddać konserwacji zgodnie z instrukcjami w §4.1 i §4.2.

4.6 Zakończenie użytkowania

Po zakończeniu okresu użytkowania należy poddać wózek utylizacji, zgodnie z lokalnymi przepisami ochrony środowiska. Najlepszym sposobem jest demontaż wózka inwalidzkiego, aby ułatwić transport części poddawanych utylizacji.

5 DANE TECHNICZNE

Poniższe szczegóły techniczne dotyczą tylko wózka inwalidzkiego przy standardowych ustawieniach i optymalnych warunkach otoczenia. Podczas użytkowania należy wziąć pod uwagę te szczegóły.

Wartości nie mają już zastosowania, gdy wózek inwalidzki został zmodyfikowany, uszkodzony lub jest poważnie zużyty.

Tabela 1: Dane techniczne

Marka	VERMEIREN	
Typ	Wózek inwalidzki	
Model	Trigo S	
Opis	Dane techniczne	
Maks. ciężar użytkownika	Dla szerokości siedzenia do 360 mm z pojedynczym krzyżakiem: 70 kg Dla szerokości siedzenia do 380 mm do 460 mm z 1,5 krzyżaka: 130 kg Dla szerokości siedzenia od 480 mm do 500 mm z podwójną krzyżakiem: 130 kg	
Stabilność statyczna	5°	
Wymiary	Min.	Maks.
Długość całkowita	676 mm	1046 mm
Długość po rozłożeniu (koła zdemontowane)	650 mm	855 mm
Szerokość po rozłożeniu (koła zdemontowane)	386 mm	586 mm
Wysokość po złożeniu (w zależności od średnicy kół)	457 mm	660 mm
Wysokość wózka inwalidzkiego (w zależności od typu tylnego koła, regulacji, dźwigni popychania lub wysokości oparcia)	457 mm	945 mm
Wysokość złożona bez kół	Max. 428 mm	
Szerokość siedziska	300 mm	500 mm
Szerokość ogólna w mm (24" tylne koła, kąt nachylenia 0°):	460 mm	660 mm
Długość wózka inwalidzkiego (w zależności od głębokości siedzenia, typu tylnego koła, typu płyty podnóżka, regulacji)	676 mm	1046 mm
Głębokość płótna – Głębokość siedziska	320 mm	500 mm
Wysokość oparcia, regulowana	(w stopniach co 25 mm)	
Nie składane oparcie	250 – 300 mm	
Nie składane oparcie	300 – 350 mm	
Składane oparcie	350 – 400 mm	
Składane oparcie	400 – 450 mm	
Składane oparcie	450 – 500 mm	
Wysokość oparcia, stałe, składane	(w stopniach co 20 mm) 250 – 510 mm	

Wysokość siedziska na przedniej krawędzi siedziska, względem przednich kół	(w stopniach co 10 mm)	
Przednie koło 3"	380 – 470 mm	
Przednie koło 4"	390 – 490 mm	
Przednie koło 5"	410 – 500 mm	
Przednie koło 6"	430 – 510 mm	
Wysokość siedziska na tylnej krawędzi siedziska, w zależności od tylnego koła	(w stopniach co 10 mm)	
Tylne koło 18"	315 – 415 mm	
Tylne koło 20"	335 – 435 mm	
Tylne koło 22"	355 – 465 mm	
Tylne koło 24"	385 – 495 mm	
Tylne koło 26"	405 – 515 mm	
Odległość pomiędzy boczną płytą/błotnikiem i siedziskiem	0 mm	
Odległość pomiędzy płytą podnóżka i siedziskiem	(w stopniach co 20 mm) 220 – 500 mm	
Długość podnóżka, regulowana	220 mm	480 mm
Regulowany kat płaszczyzny siedziska	20°	
Kąt pomiędzy siedziskiem i podnóżkiem	Stały, 70° lub 80°	
Kąt płyty podnóżka i podnóżkiem	Nieskończony (bezstopniowy)	
Ciężar		
Ciężar całkowity	Począwszy od 11 kg	
Ciężar najcięższej części (bez poduszki siedziska i oparcia, kół)	8,2 kg	
Ciężary usuwanych części:		
Koło 24"	3,1 kg	
Poduszka oparcia	0,4 kg	
Poduszka siedziska	0,4 kg	
Dźwignia do popychania (regulowana)	0,4 kg	
Koła		
Ustawienie domyślne kąta nachylenia tylnych kół, regulowane	0° 2° 4° 6°	
Przednie koło	3" - 4" - 5" - 6"	
Tylne koła	18" – 20" - 22" - 24" - 26"	
Średnica obręczy napędowej	400 mm – 440 mm – 500 mm – 535 mm – 600 mm	
Ciśnienie w oponie, tylne koła	2,5 - 10 bar	
Środowisko		
Próby wytrzymałości wg	ISO 7176-8	
Zapalność obicia wg	EN 1021-2	
Ogólna ocena możliwości mocowania pasów bezpieczeństwa	C	
Temperatura przechowywania i użytkowania	+5 °C ~ +41 °C	
Wilgotność podczas przechowywania i użytkowania	30% ~ 70%	
Zastrzegamy sobie prawo zmian technicznych. Tolerancja wymiarów ± 15 mm /1,5 kg / 1,5°.		

Obsah

Obsah	1
Předmluva	2
1 Tento výrobek	3
1.1 Příslušenství	4
2 Před použitím	5
2.1 Určení produktu	5
2.2 Obecné bezpečnostní pokyny	5
2.3 Přeprava	6
2.4 Složení a rozložení	8
2.5 Demontáž a montáž zadních kol	8
2.6 Skladování	8
3 Používání invalidního vozíku	9
3.1 Parkovací brzdy	9
3.2 Tlačné rukojeti	9
3.3 Područky – boční desky	10
3.4 Sklopné opěradlo	10
3.5 Zařízení proti překlopení (volitelné)	10
3.6 Úpravy komfortu	10
3.7 Přemístění na invalidní vozík a z něho	12
3.8 Jízda	12
4 Údržba	13
4.1 Body údržby	13
4.2 Pokyny pro údržbu	13
4.3 Řešení problémů	14
4.4 Očekávaná životnost	14
4.5 Znovupoužití výrobku	14
4.6 Konec používání	14
5 Technické údaje	15

Předmluva

Blahopřejeme! Nyní jste vlastníkem invalidního vozíku Vermeiren!

Tento invalidní vozík byl vyroben pečlivými pracovníky s kvalifikací. Navíc byl navržen a vyroben podle vysokých standardů kvality, nad nimiž dohlíží společnost Vermeiren.

Řádně si tento návod přečtěte; pomůže vám seznámit se s provozem, schopnostmi a omezeními tohoto invalidního vozíku. Máte-li po přečtení tohoto návodu nějaké dotazy, obraťte se bez obav na svého odborného prodejce. Rád vám pomůže.

Důležitá poznámka

Aby byla zajištěna vaše bezpečnost a prodloužena životnost tohoto výrobku, věnujte mu řádnou péči a nechávejte jej pravidelně kontrolovat a opravovat.

Tento návod obsahuje nejnovější verzi produktu. Společnost Vermeiren má právo provádět změny tohoto typu výrobku, aniž by byla povinna upravit nebo nahradit podobné výrobky, které již byly dodány.

Obrázky slouží k objasnění pokynů v tomto návodu. Detaily výrobku na obrázcích se mohou od daného výrobku lišit.

Dostupné informace

Nejnovější verzi informací z tohoto návodu najdete vždy na našich webových stránkách <http://www.vermeiren.com/>. Tyto webové stránky pravidelně navštěvujte pro případné aktualizace.

Osoby se zrakovým postižením si mohou stáhnout elektronickou verzi tohoto návodu, kterou jim může přečíst softwarová aplikace text-to-speech.



Návod k obsluze

Pro uživatele a odborné prodejce



Návod k instalaci

Pro odborné prodejce



Servisní příručka pro invalidní vozíky

Pro odborné prodejce



Prohlášení o shodě (ES)

1 Tento výrobek

Invalidní vozík Trigo S je aktivní skládací invalidní vozík s jedním pevným stupátkem a širokou řadou možností nastavení. Uživatel ho může snadno obsluhovat a může ho používat uvnitř budov i venku.

Trigo S se dodává v několika verzích a s volitelnými doplňky uvedenými na našich webových stránkách, viz též odst. 5.

1. Opěradlo
2. Boční deska / područka
3. Sedadlo
4. Rám
5. Stupátko
6. Přední kolo
7. Zadní kolo
8. Tlačná rukojeť (volitelná)
9. Podnožka
10. Brzda
11. Identifikační štítek



1.1 Příslušenství

Pro vozíky Trigo je k dispozici následující příslušenství:

- Držák na berle
- Kolečko proti převrácení
- Cestovní kolečka
- Stabilizační tyč opěradla
- Pelot – boční opěra vlevo/vpravo
- Terénní kola 24"
- Ráfek s gelovým krytem
- Ochrana paprsků
- Přední pánevní opora

2 Před použitím

Tento návod platí pro invalidní vozík Trigo S ve všech jeho konfiguracích.

2.1 Určení produktu

- Tento invalidní vozík je vhodný pro interiérové a venkovní použití.
- Tento invalidní vozík je zkonstruován a vyroben výhradně pro přepravu/přemísťování jedné (1) osoby o maximální hmotnosti podle konfigurace technických údajů v odst. 5. Není určený k přepravě zboží nebo předmětů ani k žádnému jinému účelu, než je popsán výše.
- Tento invalidní vozík může obsluhovat uživatel, který v něm sedí. Jsou-li namontovány tlačné rukojeti, může ho obsluhovat také pečovatel(ka).
- Tento invalidní vozík NESMÍTE použít, pokud trpíte tělesnou nebo duševní poruchou, která by mohla vás či jiné osoby ohrozit během jízdy na invalidním vozíku. Z tohoto důvodu se nejprve obraťte na lékaře a zajistěte, aby byl odborný prodejce informován o jeho posudku.
- Používejte pouze příslušenství a náhradní díly schválené společností Vermeiren.
- Přečtěte si všechny technické detaily a omezení tohoto invalidního vozíku v odst. 5.
- Záruka tohoto výrobku je založena na běžném použití a údržbě, jak je to popsáno v tomto návodu. V případě poškození výrobku způsobeného nesprávným použitím či absencí údržby tato záruka zanikne.

CS

2.2 Obecné bezpečnostní pokyny



UPOZORNĚNÍ

Riziko zranění anebo poškození

Pozorně se přečtěte pokyny v tomto návodu a postupujte podle nich.

Při použití mějte na paměti následující obecná upozornění:

- Tento invalidní vozík nepoužívejte, jste-li pod vlivem alkoholu, léků či jiných látek, které by mohly ovlivnit vaše schopnosti jízdy v něm.
- Mějte na paměti, že určité části invalidního vozíku mohou být velmi teplé nebo studené vlivem okolní teploty, slunečního záření či topných těles. Při dotýkání buďte opatrní. Při chladném počasí používejte ochranný oděv. Při jízdě venku je možné používat speciální rukavice, které zlepšují úchop ručních ráfků.
- Změny nebo náhrady by u invalidního vozíku neměly být na bezpečnostních bodech a dílech rámu ani na součástkách prováděny bez konzultace s výrobcem.

Berte na vědomí, že vaše invalidní vozík může v závislosti na použitém nastavení ovlivňovat některé typy systémů proti krádeži. To může zapříčinit spuštění alarmu v obchodu.

V případě, že došlo k závažnému incidentu s vaším výrobkem, informujte společnost Vermeiren nebo svého specializovaného prodejce a příslušný úřad ve vaší zemi.

Tohoto invalidního vozíku se týkají symboly v následujícím seznamu. Symboly lze vyhledat v příslušné normě ISO (ISO 7000, ISO 7001 a IEC 417).



Maximální váha uživatele v kg



Vnitřní/venkovní použití



Max. bezpečný sklon ve ° (stupních)



Typové označení



Nebezpečí skřípnutí

2.3 Přeprava

2.3.1 Přeprava vozidlem jako zavazadlo

1. Jako uživatel se přemístěte na sedadlo vozidla, viz odst. 3.7.
2. Složte invalidní vozík do nejkompaktnější velikosti podle pokynů v odst. 2.4.
3. Uložte invalidní vozík a jeho kola do zavazadlového prostoru nebo za sedadlo spolujezdce. Pokud NENÍ zavazadlový prostor zcela uzavřen či oddělen od cestujících, řádně připoutejte rám invalidního vozíku k vozidlu. Můžete použít dostupný bezpečnostní pás ve vozidle. Nikdy nepoužívejte stejný bezpečnostní pás pro cestujícího a invalidní vozík.

2.3.2 Přeprava vozidlem jako sedadlo pro uživatele (pouze pro Trigo s pevným opěradlem)



VAROVÁNÍ

Riziko zranění



- Pro Trigo se sklopným/úhlově nastavitelným opěradlem: Invalidní vozík NIKDY nepoužívejte jako sedadlo ve vozidle, viz následující symbol.
- Invalidní vozík prošel crashtesty podle ISO 7176-19: 2008 a jako takový byl navržen a testován pro použití jako sedadlo v motorových vozidlech umístěné pouze ve směru jízdy. Snadný přístup do motorových vozidel a manévrovatelnost v nich může být významně ovlivněna velikostí invalidního vozíku a poloměrem otáčení.
- Samotný pánevní pás invalidního vozíku není vhodný jako zádržný systém pro cestující.
- Aby nedošlo k nárazu hlavy či hrudníku do vozidla, používejte pánevní pás invalidního vozíku a tříbodový pás ve vozidle.
- Jako zádržný systém uživatele ve vozidle nepoužívejte postojové podpěry, nejsou-li označeny jako vyhovující požadavkům uvedeným v normě ISO 7176-19:2008.
- Dojde-li k jakémukoli typu nehody vozidla, před dalším použitím invalidního vozíku jej nechte zkontrolovat odborným prodejcem nebo zástupcem výrobce.

Invalidní vozík je testován pomocí čtyřbodového upínacího systému a tříbodového zádržného systému.

Kdykoliv je to možné, použijte sedadlo vozidla a invalidní vozík uložte do úložného prostoru.

Postup zajištění invalidního vozíku v motorovém vozidle:

1. Ověřte, že je vozidlo vybaveno vhodným upínacím systémem pro invalidní vozík a zádržným systémem pro cestující v souladu s ISO 10542.
2. Ověřte, že jsou komponenty invalidního vozíku připoutány a zádržný systém pro cestující není opotřeben, znečištěn, poškozen ani rozbit.
3. Disponuje-li invalidní vozík funkcí naklonění sedadla anebo opěradla, ověřte, že uživatel invalidního vozíku sedí v max. vzpřímené poloze. Pokud to stav uživatele neumožňuje, mělo by být provedeno posouzení rizik za účelem hodnocení bezpečnosti uživatele během přepravy.
4. Odeberte veškeré příslušenství, jako jsou podnosy a respirační vybavení, a zajistěte je na bezpečném místě.
5. Invalidní vozík umístěte ve směru jízdy a centrálně mezi zádržné kolejnice připevněné k podlaze vozidla.
6. Zapněte přední bezpečnostní popruhy na vyznačeném místě podle pokynů výrobce pásového systému (obr. 1). Toto místo je na invalidním vozíku označeno symbolem (obr. 2).
7. Popojedte invalidním vozíkem dozadu, dokud se přední popruhy nenapnou.
8. Zaktivujte brzdu invalidního vozíku.
9. Zapněte zadní bezpečnostní popruhy na vyznačeném místě podle pokynů výrobce pásového systému (obr. 1). Toto místo je na invalidním vozíku označeno symbolem (obr. 2).



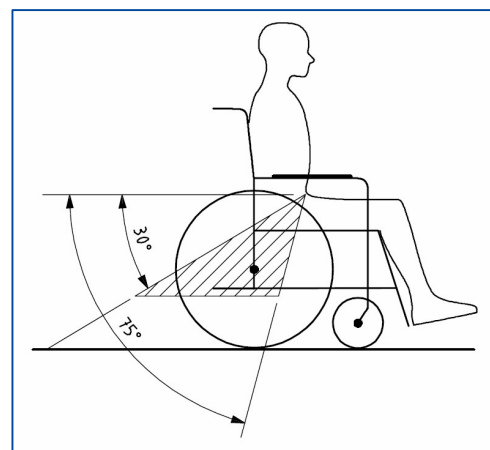
Obr. 1



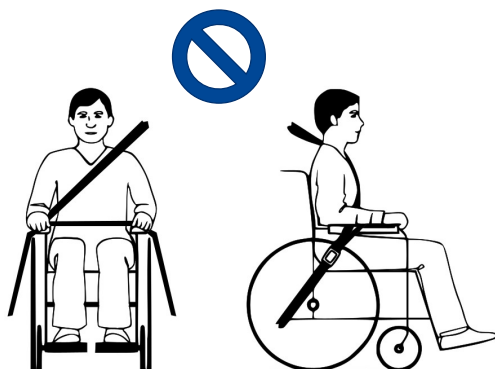
Obr. 2

Postup zabezpečení uživatele invalidního vozíku:

1. Odeberte obě loketní opěrky.
2. Máte-li k dispozici pánevni pás k invalidnímu vozíku, připevněte jej.
3. Upevněte pásy zádržného systému pro cestujícího podle pokynů výrobce pásového systému.
4. Pánevni pás mějte nasazen nízko přes přední část pánve tak, aby tady byl úhel pánevniho pásu v preferované zóně 30° až 75° od horizontální roviny, viz obr. .
5. V preferované zóně je žádoucí strmější (vyšší) úhel.
6. Nastavte pás pevně podle pokynů výrobce pásového systému a v souladu s pohodlím uživatele.
7. Ověřte, že je zádržný pás připojen přímo ke kotevnímu bodu vozidla a že na něm nejsou vidět žádné záhyby, např. u osy zadního kola.
8. V případě potřeby nainstalujte loketní opěrky. Ověřte, že pásy nejsou překroucené nebo mimo hmotu částí invalidního vozíku, jako jsou loketní opěrky či kola.
9. Přezku bezpečnostního pásu umístěte tak, aby během nárazu nedošlo ke kontaktu uvolňovacího tlačítka se součástmi invalidního vozíku.
10. Zajistěte, aby ramenní zádržné pásy seděly přes ramena, viz obr. 4.



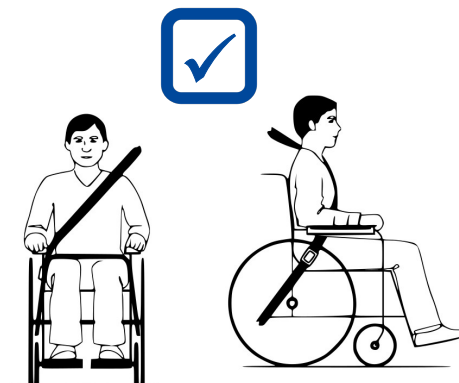
Pásy nesmějí být drženy mimo tělo komponentami invalidního vozíku, jako jsou loketní opěrky nebo kola.



Obrázek 3 **Nesprávné umístění zádržné-ho pásu**

Zádržné pásy musejí mít plný kontakt s ramenem, hrudníkem a pávní.

Pánevni pás nízko na pávní v blízkosti stehenně-břišní oblasti



Obrázek 4 **Správné umístění zádržného pásu**

2.4 Složení a rozložení

UPOZORNĚNÍ

Riziko zranění anebo poškození

- Dávejte pozor, abyste si neskřípli prsty v otočném bodě rukojetí nebo v příčnicku rámu.
- Abyste nezranili osoby stojící okolo nebo nepoškodili předměty, myslete vždy na rozsah pohybu stupátka.

Složení invalidního vozíku:

1. Vytáhněte sedák sedadla a odstraňte ho.
2. V závislosti na typu stupátka (8):
 - Rozevírací stupátko: Odblokujte a otočte nahoru.
 - Sklopné stupátko: Sklopte zatažením nahoru.
3. Uchopte uprostřed přední a zadní stranu sedadla (15) a tahem složte.
4. Stlačte trubky (5) rámu sedadla k sobě.
5. V případě potřeby odstraňte zadní kola, viz odst. 2.5.



Rozložení invalidního vozíku:

1. Vytáhněte trubky (5) rámu sedadla ven a stlačte rám sedadla na levé a pravé straně dolů, dokud nebude sedadlo rovné a rám nebude zajištěný na místě.
2. Pokud jste odstranili zadní kola, namontujte je, viz odst. 2.5.
3. Umístěte sedák sedadla (4) na suché zipy sedadla. Dbejte na to, aby řemínky sedáku sedadla vedly kolmo přes řemínky sedadla.
4. V závislosti na typu stupátka (8):
 - Rozevírací stupátko: Otočte dolů, dokud nebude zajištěno.
 - Sklopné stupátko: Stlačte dolů, dokud nebude zablokováno.

2.5 Demontáž a montáž zadních kol

Demontáž zadních kol

1. Stiskněte a přidržte tlačítko (43) a zároveň vysuňte osu kola ven z otvoru rámu.
2. Opakujte postup pro druhé kolo a jemně umístěte invalidní vozík na zadní trubky rámu.

Montáž zadních kol

1. Uchopte jedno ze zadních kol a zvedněte invalidní vozík na jedné straně.
2. Stiskněte a přidržte tlačítko (43) a zároveň zasuňte kolo do pouzdra osy.
3. Uvolněním tlačítka kolo uzamkněte. Dbejte na to, aby zaskočilo na místo.
4. Postup zopakujte pro druhé kolo.
5. Ujistěte se, že jsou obě kola bezpečně upevněná.



2.6 Skladování

- i** Dbejte na to, aby byl invalidní vozík uložen v suchém prostředí, aby na něm nemohly růst plísně a nepoškodilo se čalounění, viz též kapitola 5.

3 Používání invalidního vozíku

⚠ UPOZORNĚNÍ

Riziko zranění nebo poškození

Zajistěte, aby během použití nebo nastavení nedošlo k zachycení rukou, oděvů, pásků, přezek či šperků v kolech nebo jiných pohyblivých součástech.

3.1 Parkovací brzdy

⚠ UPOZORNĚNÍ

Riziko zranění nebo poškození

- Nikdy neuvolňujte obě brzdy současně.
- Seřízení brzd smí provádět pouze odborný prodejce.
- Nepoužívejte parkovací brzdy ke zpomalení pohybu invalidního vozíku.

Dvojčinné brzdy

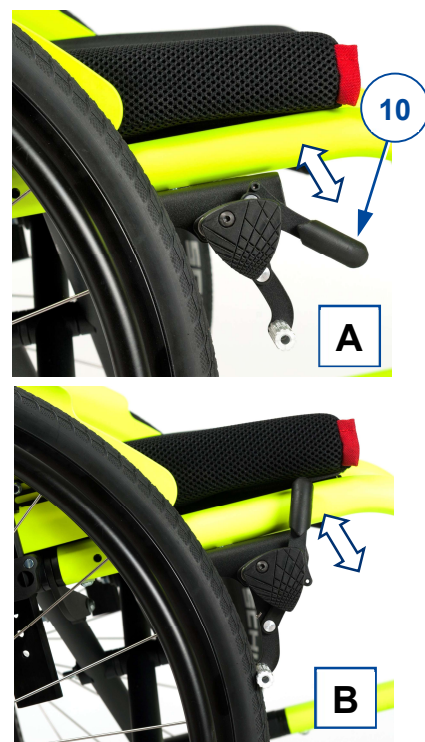
i Dvojčinná parkovací brzda může být namontována dvěma způsoby (ve dvou směrech); rozhodnutí je nutno učinit při objednání invalidního vozíku. V závislosti na zvoleném směru je nutné brzdu při brzdění stlačit nebo za ni zatáhnout.

Odbrzdnění brzd (A):

1. Jednou rukou přidržte jeden z ručních ráfků.
2. Stlačte brzdovou páčku (10) DRUHÉHO kola nebo za ni zatáhněte.
3. Zopakujte tento postup u druhého kola a parkovací brzdy.

Zabrzdnění brzd (B):

1. Jednou rukou přidržte jeden z ručních ráfků.
2. Zatáhněte za brzdovou páčku (10) DRUHÉHO kola nebo ji stlačte, dokud neucítíte znatelné blokování.
3. Zopakujte tento postup u druhého kola a parkovací brzdy.



Sportovní brzdy

Sportovní brzdy jsou umístěné pod sedadlem.

Odbrzdnění brzd:

1. Jednou rukou přidržte jeden z ručních ráfků.
2. Zatáhněte za rukojeť DRUHÉHO kola DOPŘEDU.
3. Zopakujte tento postup u druhého kola a parkovací brzdy.

Zabrzdnění brzd:

1. Jednou rukou přidržte jeden z ručních ráfků.
2. Stlačte rukojeť brzdy DRUHÉHO kola DOZADU, dokud neucítíte znatelné blokování.
3. Zopakujte tento postup u druhého kola a parkovací brzdy.



3.2 Tlačné rukojeti

V závislosti na zvolených konfiguracích může být invalidní vozík dodán bez tlačných rukojetí nebo může být vybaven normálními či sklopnými rukojeťmi.

3.3 Područky – boční desky

V závislosti na zvolených konfiguracích může být invalidní vozík vybaven řadou různých područek:

- Pevné boční desky bez područek
- Pevné boční desky s područkami
- Sklopné trubkové područky
- Odstranitelné boční desky

CS

3.4 Sklopné opěradlo

Sklopení opěradla na sedadlo

1. Jemně zatáhněte za zadní řemínek (20). Uvolní se pojistné kolíky sklápěcího mechanismu (21).
2. Stlačte opěradlo dolů na sedadlo.

Vytažení opěradla nahoru

1. Vytáhněte opěradlo nahoru, dokud nezaskočí do polohy.
2. Ujistěte se, že jsou oba pojistné kolíky zajištěné v otvorech sklápěcího mechanismu (21).
3. Zkontrolujte pohybem opěradla.



3.5 Zařízení proti překlolení (volitelné)

Zařízení proti překlolení brání převržení invalidního vozíku dozadu. Pokud zařízení nepotřebujete, můžete ho otočit stranou zatažením svislé lišty (16) dolů a otočením směrem k přední části vozíku, dokud nezaklapne na místo.

Nastavení výšky zařízení proti převrácení podle polohy a velikosti zadních kol:

1. Uvolněte hvězdicový knoflík (17) dokud se vnitřní trubka zařízení proti převrácení nemůže pohybovat v držáku.
2. Posuňte zařízení proti převrácení nahoru / dolů do požadované polohy.
3. Utáhněte hvězdicový knoflík (17).

Zařízení proti převrácení by měla být přibližně 15-20 mm nad zemí.



3.6 Úpravy komfortu



UPOZORNĚNÍ

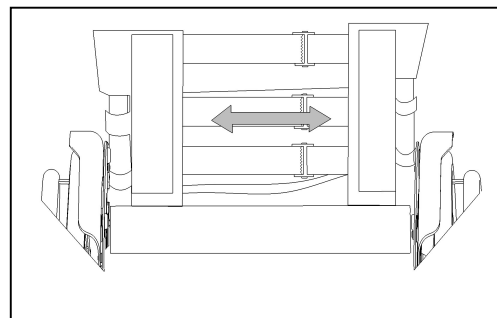
Riziko zranění anebo poškození

- Následující komfortní nastavení může provádět doprovod nebo pečovatel(ka). Všechna ostatní nastavení provádí odborný prodejce (viz návod k instalaci).
- Abyste nezranili osoby stojící okolo nebo nepoškodili předměty, myslete vždy na rozsah pohybu podnožky.
- Dejte pozor, abyste si během nastavení nepřiskřípli prsty, oděvy nebo přezky.

3.6.1 Šířka a opěra opěradla

Opěradlo invalidního vozíku má systém zavěšení s nastavitelnými suchými zipy pro nastavení šířky a pružnosti opěradla.

1. Stáhněte polštář opěradla ze suchých zipů.
2. Uvolněte suché zipy.
3. Zatáhněte příslušný řemínek do požadované polohy. Napnutí jednotlivých řemíneků se může lišit a je možné nastavit požadované opření zad.
4. Umístěte polštář opěradla zpět na opěradlo; začněte vpředu a skončete vzadu.
5. Zajistěte spojení suchými zipy tak, že rukou přitisknete polštář k opěradlu.
6. Ujistěte se, že jsou všechny řemínky zajištěné suchými zipy.



CS

3.6.2 Výška opěradla (nastavení po krocích)

1. Odstraňte polštář opěradla.
2. Stlačte pružinový knoflík umístěný na zadní straně zadní trubky rámu.
3. Posuňte opěradlo nahoru nebo dolů do požadované výšky.
4. Ujistěte se, že pružinový kolík zaskočí zpět do příslušného otvoru.
5. Opakujte pro druhou stranu. Ujistěte se, že jsou obě strany nastavené na stejnou výšku a že jsou bezpečně upevněné.

3.6.3 Výška tlačné rukojeti (plynulé nastavení)

Upínací páka

1. Otočte páku (40) tlačné rukojeti, abyste ji uvolnili.
2. Posuňte tlačnou rukojeť nahoru nebo dolů do požadované výšky.
3. Zajistěte rukojeť utažením páky (40).
4. Opakujte pro druhou tlačnou rukojeť. Ujistěte se, že jsou obě rukojeti nastavené na stejnou výšku a že jsou bezpečně upevněné.



Upínací knoflík

1. Otočte knoflík (30) tlačné rukojeti o několik otáček proti směru hodinových ručiček.
2. Posuňte tlačnou rukojeť nahoru nebo dolů do požadované výšky.
3. Zajistěte rukojeť utažením knoflíku; otočte ho po směru hodinových ručiček.
4. Opakujte pro druhou stranu. Ujistěte se, že jsou obě strany nastavené na stejnou výšku a že jsou bezpečně upevněné.



3.7 Přemístění na invalidní vozík a z něho

⚠ UPOZORNĚNÍ

Riziko zranění a poškození

- Pokud nemůžete vykonat bezpečný přesun sami, požádejte někoho o pomoc.
- Během přemístění na invalidní vozík nebo z něho nešlapejte na stupátko.

Přesun

1. Když sedíte na židli, pohovce, sedačce či posteli, umístěte invalidní vozík co nejbližší k sobě.
1. Aktivujte obě parkovací brzdy k zablokování pohybu, viz odst. 3.1.
2. Pokud je to možné, sklopte rozevírací stupátko nahoru, abyste na něj nemohli šlápnout.
3. Přesuňte se na invalidní vozík nebo z něj silou svých paží, pomocí doprovodu či zdvihacího zařízení.

Sezení na invalidním vozíku

1. Sedněte si na sedadlo a dolní část zad opřete o opěradlo.
2. Pokud to připadá v úvahu, sklopte rozevírací stupátko dolů a položte nohy na stupátko.

3.8 Jízda

⚠ UPOZORNĚNÍ

Riziko zranění a poškození

- Před každým použitím ověřte, že:
 - parkovací brzdy správně fungují;
 - pneumatiky jsou v dobrém stavu, viz odst. 4.
- Nedopustěte, aby se do drátů výpletu kola zachytily vaše prsty.
- Nepoužívejte ruční ráfky, máte-li mokré ruce.
- Při průjezdu úzkými průchody se chraňte před skřípnutím rukou na ručních ráfcích.
- **NEJEZDĚTE** na svazích, přes překážky, schody nebo obrubníky větší, než je předepsáno v odst. 5.
- Když zastavíte na (mírném) svahu, použijte brzdy.
- Během jízdy dolů ze svahu dbejte na to, aby se všechna čtyři kola dotýkala země.
- Na svazích jezděte co nejpomaleji.
- Při jízdě po veřejných komunikacích zůstávejte vždy na chodníku.
- Dávejte pozor, zda na silnici nejsou díry nebo spáry, které by mohly způsobit skřípnutí kol.
- Vyhýbejte se kamenům a jiným předmětům, které mohou zablokovat kola.
- Při přejíždění překážky dávejte pozor, aby se stupátko nedotklo země.
- Tento invalidní vozík nepoužívejte na eskalátoru.
- Je-li k dispozici bezpečnostní pás, připevněte se.
- Abyste nezranili osoby stojící okolo nebo nepoškodili předměty, myslete vždy na rozsah pohybu stupátka.
- Nemáte-li dostatek zkušeností s jízdou na svém invalidním vozíku, požádejte doprovod o asistenci. Nesahejte rukama na kola a nohy nechte spočívat na stupátku.
- Schody musejí být vždy zvládnuty za asistence dvou osob doprovodu.
- Nikdy nezkoušejte používat schody, které nejsou vhodné pro invalidní vozíky.

3.8.1 Jízda na invalidním vozíku:

1. Odbrzdněte brzdy.
2. Uchopte oba ruční ráfky v jejich nejvyšším místě.
3. Nakloňte se dopředu a tlačte ruční ráfky dopředu, dokud se vaše paže nenarovnají.
4. Přemístěte ruce zpět na nejvyšší místo ručních ráfků a opakujte pohyb.

4 Údržba

4.1 Body údržby

 UPOZORNĚNÍ

Riziko zranění a poškození

Opravy a výměny směřují provádět pouze vyškolené osoby. Přitom je třeba používat pouze originální náhradní díly společnosti Vermeiren.

i Servisní intervaly závisí na intenzitě a frekvenci používání. Požádejte svého prodejce o společnou dohodu na rozvrhu kontrol/údržby/oprav.

Viz webových stránkách společnosti Vermeiren: www.vermeiren.com.

CS

Před každým použitím

Zkontrolujte následující:

- Všechny části: Přítomné a nepoškozené či neopotřebované.
- Všechny části: Čisté, viz odst. 4.2.2.
- Kola, opěradlo, sedadlo, lýtkové opěrky, područky, stupátko: Dobré zajištění.
- Stav kol/pneumatik, viz § 4.2.1.
- Stav součástí rámu: Žádná deformace, nestabilita, zeslabení nebo uvolněné spoje
- Sedadlo, opěradlo, opěrky rukou, opěrky lýtek a opěrka hlavy (je-li použita): Bez nadměrného opotřebení (např. promáčknutá místa, poškození nebo roztržení).
- Brzdy: Nepoškozené a funkční.

Pro případné opravy či výměny částí se obraťte na svého odborného prodejce.

Ročně nebo častěji

Tento invalidní vozík nechte u odborného prodejce ke kontrole a provedení servisu alespoň jednou ročně nebo častěji. Minimální četnost údržby závisí na používání, a proto by měla být společně dohodnuta s vaším odborným prodejcem.

4.2 Pokyny pro údržbu

4.2.1 Kola a pneumatiky

i Správná funkce brzd závisí na stavu pneumatik a může se měnit kvůli opotřebení a znečištění (voda, olej, bláto atd.).

Udržujte kola bez drátů, vlasů, písku a vláken.

Zkontrolujte vzorek na pneumatikách. Je-li hloubka dezénu menší než 1 mm, musí být pneumatiky vyměněny. Obraťte se v této věci na svého odborného prodejce.

Nahustěte každou pneumatiku na správný tlak (viz vyznačení tlaku na pneumatikách).

4.2.2 Čištění

 UPOZORNĚNÍ

Riziko poškození vlhkostí

- K čištění invalidního vozíku nikdy nepoužívejte hadici ani vysokotlaký čistič.

Otřete všechny pevné části invalidního vozíku vlhkým (nikoli mokrým) hadříkem.

V případě potřeby použijte jemné mýdlo vhodné na laky a syntetické barvy.

Čalounění lze vyčistit vlažnou vodou a jemným mýdlem. K čištění nepoužívejte abrazivní čisticí prostředky.

4.2.3 Dezinfekce

UPOZORNĚNÍ

Riziko poškození

- Dezinfekci mohou provádět pouze kvalifikované osoby. Poradte se se svým prodejcem.

4.3 Řešení problémů

I když tento invalidní vozík používáte správně, může se vyskytnout technický problém. V takovém případě se obraťte na svého místního odborného prodejce.

 VAROVÁNÍ

Riziko zranění a poškození invalidního vozíku

- NIKDY se nepokoušejte sami opravit invalidní vozík.

Následující příznaky mohou znamenat vážný problém. Proto se obraťte na svého odborného prodejce vždy, když zaznamenáte některou z následujících odchylek:

- divný zvuk;
- nerovnoměrné opotřebení dezénu na jedné z pneumatik;
- trhavé pohyby;
- invalidní vozík se naklání na jednu stranu;
- poškozené či rozbité sestavy kol.

4.4 Očekávaná životnost

Průměrná životnost tohoto invalidního vozíku je 5 let. V závislosti na četnosti použití, jízdních podmínkách a údržbě se životnost tohoto invalidního vozíku prodlouží nebo zkrátí.

4.5 Znovupoužití výrobku

Před každým dalším použitím nechte invalidní vozík dezinfikovat, zkontrolovat a provést servis podle pokynů v odst. 4.1 a odst. 4.2.

4.6 Konec používání

Po skončení životnosti musí být invalidní vozík zlikvidován podle místní legislativy pro životní prostředí. Nejlepším způsobem likvidace je rozebrání invalidního vozíku pro usnadnění přepravy recyklovatelných součástí.

5 Technické údaje

Technické údaje uvedené níže platí pouze pro tento invalidní vozík při standardních nastaveních a optimálních podmínkách okolí. Během používání berte tyto údaje v úvahu.

Pokud byl tento invalidní vozík upraven, poškozen nebo došlo k jeho velkému opotřebení, nebudou tyto hodnoty platné.

Tabulka 1: Technické údaje

Značka	VERMEIREN	
Typ	Invalidní vozík	
Model	Trigo S	
Popis	Technické údaje	
Max. váha uživatele	Pro sedadlo o šířce do 360 mm s jedním příčником: 70 kg Pro sedadlo o šířce od 380 do 460 mm s 1,5násobným příčником: 130 kg Pro sedadlo o šířce od 480 do 500 mm s dvojitým příčником: 130 kg	
Statická stabilita	5°	
Rozměry	Min.	Max.
Celková délka	676 mm	1046 mm
Délka v rozmontovaném stavu (odmontovaná kola)	650 mm	855 mm
Šířka v rozmontovaném stavu (odmontovaná kola)	386 mm	586 mm
Výška ve složeném stavu (v závislosti na průměrech kol)	457 mm	660 mm
Výška invalidního vozíku (závisí na typu zadních kol, nastavení, tlačných rukojetích a výšce opěradla)	457 mm	945 mm
Výška ve složeném stavu bez kol	Max. 428 mm	
Šířka sedadla	300 mm	500 mm
Celková šířka v mm (24" zadní kola, odklon 0°):	460 mm	660 mm
Délka invalidního vozíku (v závislosti na hloubce sedadla, typu zadních kol, typu stupátka a nastavení)	676 mm	1046 mm
Hloubka plátna – hloubka sedadla	320 mm	500 mm
Výška opěradla, nastavitelná	(po krocích 25 mm)	
Nesklopné opěradlo	250–300 mm	
Nesklopné opěradlo	300 – 350 mm	
Sklopné opěradlo	350–400 mm	
Sklopné opěradlo	400–450 mm	
Sklopné opěradlo	450–500 mm	
Výška opěradla, pevné, sklopné	(po krocích 20 mm) 250–510 mm	

Výška sedadla u předního okraje sedadla, vzhledem k předním kolům 3" přední kola 4" přední kola 5" přední kola 6" přední kola	(po krocích 10 mm) 380–470 mm 390–490 mm 410–500 mm 430–510 mm	
Výška sedadla u zadního okraje sedadla, v závislosti na zadních kolech 18" zadní kola 20" zadní kola 22" zadní kola 24" zadní kola 26" zadní kola	(po krocích 10 mm) 315–415 mm 335–435 mm 355–465 mm 385–495 mm 405–515 mm	
Vzdálenost mezi boční deskou, resp. blatníkem a sedadlem	0 mm	
Vzdálenost mezi stupačkami a sedadlem	(po krocích 20 mm) 220–500 mm	
Délka podnožky, nastavitelná	220 mm	480 mm
Úhel roviny sedadla nastavitelný	20°	
Úhel mezi sedadlem a podnožkami	Pevný, 70° nebo 80°	
Úhel nožní opěrky a podnožky	Nekonečný (plynulé nastavení)	
Hmotnosti		
Celková hmotnost	Od 11 kg	
Hmotnost nejtěžší části (bez sedadla, polštáře opěradla a kol)	8,2 kg	
Hmotnosti odnímatelných částí: Kola 24" Polštář opěradla Čalounění sedadla Tlačná rukojeť (nastavitelná)	3,1 kg 0,4 kg 0,4 kg 0,4 kg	
Kolečka		
Standardní nastavení úhlu odklonu zadních kol, nastavitelné	0° 2° 4° 6°	
Přední kola	3" – 4" – 5" – 6"	
Zadní kola	18" – 20" – 22" – 24" – 26"	
Průměr ručního ráfku	400 mm – 440 mm – 500 mm – 535 mm – 600 mm	
Tlak v pneumatikách, zadní kola	2,5 – 10 baru	
Prostředí		
Zkoušky pevnosti podle normy	ISO 7176-8	
Vznětlivost čalounění podle normy	EN 1021-2	
Celkové hodnocení umístění zádržného systému	C	
Teplota skladování a používání	+5 °C ~ +41 °C	
Vlhkost při skladování a používání	30 % ~ 70 %	
Právo na technické změny vyhrazeno. Tolerance měření ±15 mm / 1,5 kg / 1,5°.		



Service registration form

This product (name):

was inspected (I), serviced (S), repaired (R) or disinfected (D):

By (stamp): Kind of work: I / S / R / D Date:	By (stamp): Kind of work: I / S / R / D Date:	By (stamp): Kind of work: I / S / R / D Date:
By (stamp): Kind of work: I / S / R / D Date:	By (stamp): Kind of work: I / S / R / D Date:	By (stamp): Kind of work: I / S / R / D Date:
By (stamp): Kind of work: I / S / R / D Date:	By (stamp): Kind of work: I / S / R / D Date:	By (stamp): Kind of work: I / S / R / D Date:
By (stamp): Kind of work: I / S / R / D Date:	By (stamp): Kind of work: I / S / R / D Date:	By (stamp): Kind of work: I / S / R / D Date:
By (stamp): Kind of work: I / S / R / D Date:	By (stamp): Kind of work: I / S / R / D Date:	By (stamp): Kind of work: I / S / R / D Date:



Vermeiren GROUP
Vermeirenplein 1 / 15
2920 Kalmthout
BE

website: www.vermeiren.com