

01325 rev.001
PARALLEL BARS PLUS 2M
PARALLELA PLUS 2M

01326 rev.001
PARALLEL BARS PLUS 3M
PARALLELA PLUS 3M

01327 rev.001
PARALLEL BARS PLUS 3M TILT
PARALLELA PLUS 3M TILT

01391 rev.001
CHILDREN'S PARALLEL
BARS PLUS 2M
PARALLELA PLUS 2M BIMBO

02996 rev.001
CHILDREN'S PARALLEL BARS
PLUS 3M
PARALLELA PLUS 3M BIMBO

PARALLEL BARS *BARRE PARALLELE*



Use and maintenance manual *Manuale d'uso e manutenzione*




CHINESPORT SPA
Via Croazia, 2
33100 – Udine – IT
Tel: +39 0432 621 621
Fax: +39 0432 621 620
www.chinesport.it
info@chinesport.it

ENGLISH	4
1 GENERAL INFORMATIONS	4
1.1 SYMBOLS	5
2 ASSEMBLY AND INSTALLATION	5
2.1 LIST OF PARTS	6
3 ASSEMBLY.....	8
3.1 01325-01326-01391-02996	8
3.2 01327	9
3.3 WELL MOUNTED DETAILS	11
4 ADJUSTMENTS	11
4.1 HANDRAIL HEIGHT ADJUSTMENT	11
4.2 HANDRAIL WIDTH ADJUSTMENT.....	11
4.3 ANGLE ADJUSTMENT (ONLY 01327)	12
5 MAINTENCE.....	13
5.1 ROUTINE MAINTENANCE	13
5.2 EMERGENCY MAINTENANCE	13
5.3 PARTS LIST	13
6 CLEANING AND DISINFECTION	14
6.1 WASHING.....	14
6.2 DISINFECTION.....	14
7 TECHNICAL FEATURES	14
8 PARALLEL BARS ACCESSORIES.....	14
9 WARRANTY	14
10 MAINTENANCE RECORD SHEET	16
ITALIANO	17
1 INFORMAZIONI GENERALI	17
1.1 SIMBOLI	18
2 MONTAGGIO ED INSTALLAZIONE	18
2.1 CONTENUTO DELLA CONFEZIONE	20
3 MONTAGGIO	21
3.1 01325-01326-01391-02996	21
3.2 01327	23
1 Estrarre l'apparecchiatura, le rampette e i sacchetti ferramenta dall'imballo	23
3.3 ESEMPI DI CORRETTO MONTAGGIO	25
4 REGOLAZIONI	25
4.1 REGOLAZIONE ALTEZZA CORRIMANI	25
4.2 REGOLAZIONE LARGHEZZA CORRIMANI	25
4.3 REGOLAZIONE DELL'INCLINAZIONE (SOLO 01327)	26
5 MANUTENZIONE	26







5.1	MANUTENZIONE ORDINARIA.....	26
5.2	MANUTENZIONE STRAORDINARIA.....	27
5.3	LISTA RICAMBI.....	27
6	PULIZIA E DISINFEZIONE.....	27
6.1	LAVAGGIO.....	27
6.2	DISINFEZIONE.....	28
7	SCHEDA TECNICA.....	28
8	ACCESSORI PARALLELE.....	28
9	GARANZIA.....	28
10	REGISTRAZIONE INTERVENTI.....	30

1 GENERAL INFORMATIONS

PURPOSE AND CONTENT OF INSTRUCTION	<p>The purpose of this manual is to provide users with the necessary information to allow proper use of the equipment and make it possible to use it independently and safely. This manual contains information on technical, operational and maintenance aspects, as well as spare parts and safety. It is also intended for technicians responsible for maintaining the equipment. This Instruction Manual must always be kept with the equipment and must be carefully preserved in order to avoid compromising its readability. If the equipment is sold to third parties this manual has to be handed over with the other documents as required by European Directive 93/42 EEC.</p> <p><u>This manual is not a medical handbook</u></p>
MANUFACTURER	<p>CHINESPORT S.P.A, Via Croazia, 2-33100 Udine, Italia. Phone. +39 0432 621 621 – Fax+39 0432 621 620 – web: www.chinesport.com The company produces according to UNI EN ISO 13485:2012.</p>
INTENDED USE AND EQUIPMENT DESCRIPTION	<p>Parallel bars allow performing rehabilitation and ambulation exercises safely.. They are made of painted steel with a thermoplastic coated handrail, which can be adjusted in height. Item code 01329 can be adjusted in width as well. Rehabilitation can be diversified by using the available accessories to create different types of paths depending on the exercise : concave, convex, wedge, hemispheres, sensory, obstacle and divider modules. A glider can be supplied upon request to offer greater support to a patient during walking.</p>
APPLICATION ENVIRONMENT	<p>The Medical device described in this manual is in compliance with Directive 93/42 / EEC as amended by 2007/47 / EC in accordance with Annex VII</p>
FURTHER INFORMATIONS AND DOCUMENTATION	<p>Please visit www.chinesport.com</p>
STORAGE	<p>In case of storage the following ambient conditions must be respected: relative umidity 10% / 90 %; temperature -10°C / +50°C.</p>
SIDE EFFECTS AND CONTRAINDICATIONS	<p>There is no collateral effects or contraindications during proper use. Use the device always in the proper way. The knowledge of this instruction manual is recommended.</p>
 SPECIAL WARNINGS AND USE RESTRICTIONS	<p>These devices must not be used:</p> <ul style="list-style-type: none"> • without making all the settings required and recommended setups. • when use is not advisable or causes the patient serious discomfort. • if the original product has been tampered with and/or modified • when setted incorrectly or when there is any suspicion that it may harm the patient <p>The plastic and wood parts can catch fire if brought into contact with naked flames. Do not spill liquids on the metal parts. The physical and psychological suitability of the user to make use of the aids must be approved by a specialist. The adjustable mechanical parts can cause injury when handled</p>

1.1 SYMBOLS

The symbols found in this manual and on the machine are used to draw the user's attention to important safety warnings and useful information. Observe all warning, caution and danger messages.

	WARNING This warning symbol identifies operating/maintenance instructions or procedures which, if not observed, could result in injury or danger to the user.
	ELECTRIC SHOCK HAZARD This warning symbol identifies operating/maintenance instructions or procedures which, if not observed, could result in a risk of electric shock.
	CAUTION A Caution symbol is used to warn the user that failure to observe a certain operating or maintenance procedure, general rule or condition, could result in damage to the equipment.
	NOTE Notes draw the user's attention to key information on topics, applications or procedures.
	TIPS Tips draw the user's attention on the quickest or easiest way to do something.
	WORKERS This symbol indicates the minimum number of people recommended for installing the unit safely. More workers may be involved but we expressly advise against using fewer.

NOTES

In case of doubts and/or any need for clarification during installation, contact the technical service department by e-mail, using the address: assistenza@chinesport.it and indicating the page and elements for which you need further details - if necessary attach a photo of the details.

Chinesport is NOT responsible for anchoring to the walls, which must be done in a workmanlike manner, in compliance with current regulations, and entirely for the purchaser's account

2 ASSEMBLY AND INSTALLATION



Correct installation and compliance with the loadbearing capacities are fundamental for the safety of the patient and the professional.



Before proceeding check the suitability of the environment and the structural adequacy of the available space

- The manufacturer cannot accept any responsibility for the installation done outside of their control.
- Technical skills and suitable equipment are required for a proper installation
- Unpack and handle the items with great care keeping them divided by type: if you notice any anomalies in the packaging or in the product do not continue the installation but promptly notify Chinesport SpA
- During the assembly use caution and always wear personal protective equipment
- Refer always to the installation schemes
- The manufacturer can not be responsible for the installation carried out of his control.
- Do not leave the device in use to minors.
- The equipment and accessories are intended only for the use established in the appropriate instruction manual supplied with the equipment



The equipment must not be used:

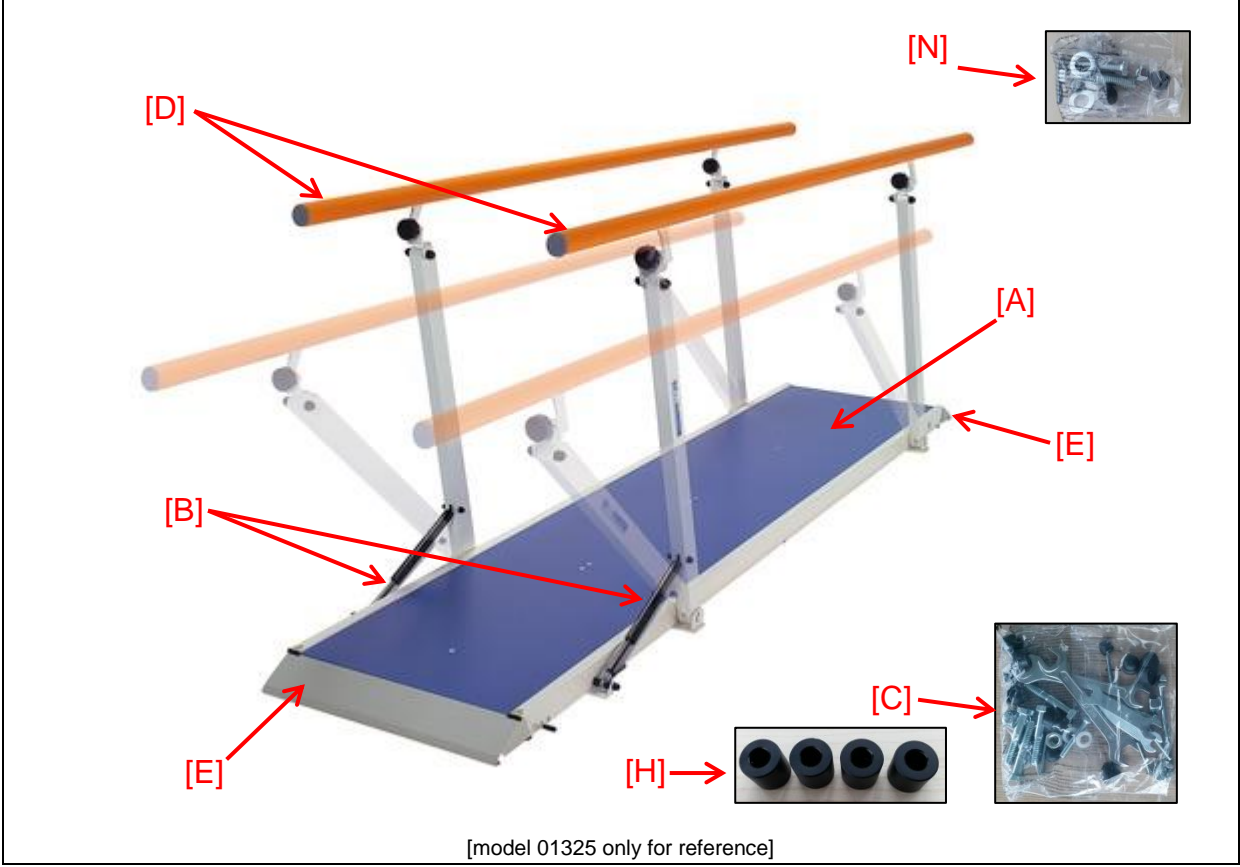
- Without making the proper assembly and testing.
- Tampering with and / or changes on the original product.
- In improper configuration or when there is suspicion that may cause harm to the patient.
- By children and minors unattended.
- Under weathered.

In particular:

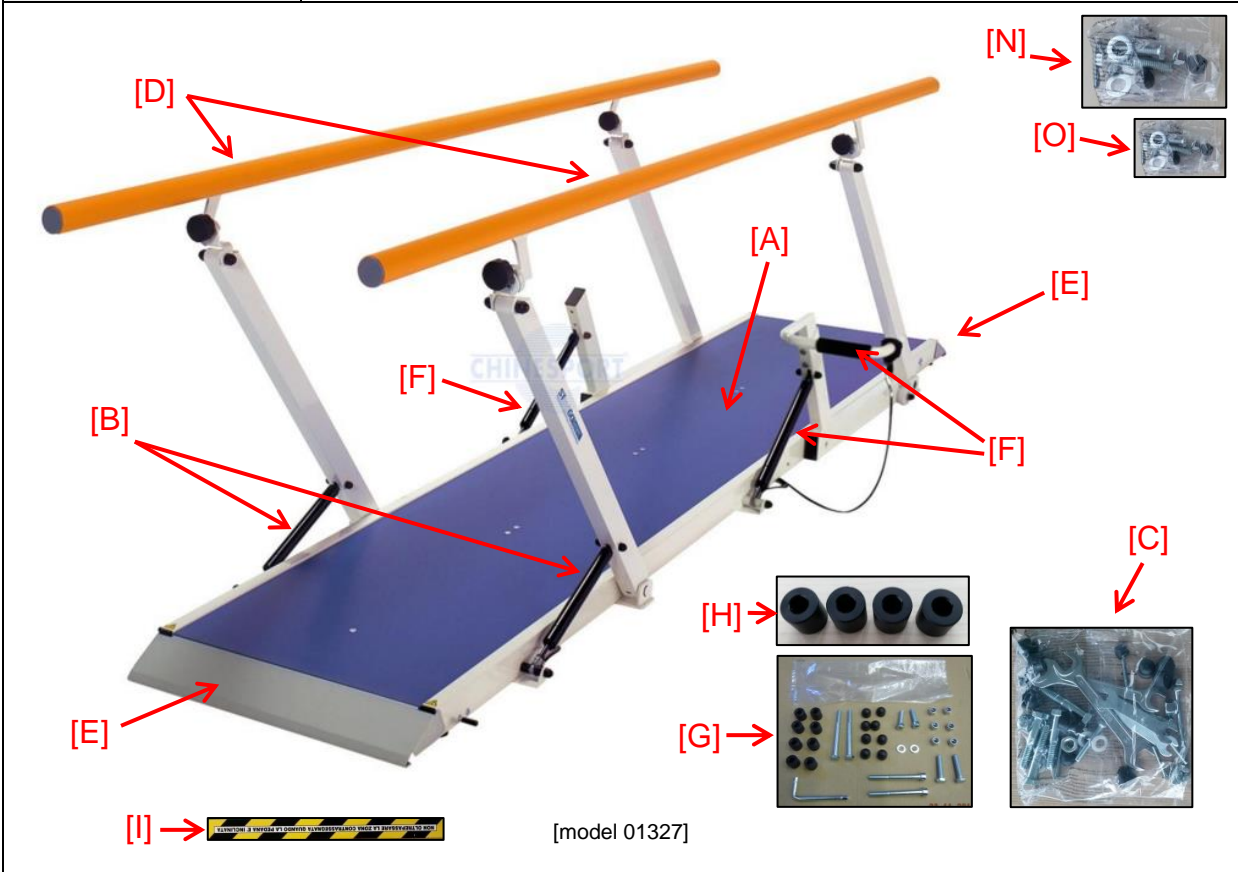
- The installation must be performed by a competent person who has consulted the manual and found the suitability of the premises.
- Assessing hazards resulting from the association of other equipment to the structure

2.1 LIST OF PARTS

01325	[A] Footboard [1 pc]
01326	[B] Gas springs [2 pcs]
01391	[C] Hardware bag [1 pc] – 85.00.00.0085
02996	[D] Handrail [2 pcs]
	[E] Ramps [2 pcs]
	[H] Spacers [4 pcs]
	[N] Spare parts bag [1 pc]



01327	[A] Footboard [1 pc]
	[B] Gas springs [2 pcs]
	[C] Hardware bag [1 pc] – 85.00.00.0085
	[D] Handrail [2 pcs]
	[E] Ramps [2 pcs]
	[F] Angle adjustment kit
	[G] Hardware bag for angle adjustment kit [1 pc]
	[H] Spacers [4 pcs]
	[I] Security sticks [7 pcs]
	[N] Spare parts bag [1 pcs]
[O] Angle adjustment kit spare parts bag [1 pc]	



3 ASSEMBLY

3.1 01325-01326-01391-02996

- 1 Remove the equipment, ramps and hardware bags from the packaging
- 2 Lay aside the spare parts bag [N] and storage it in a suitable place for possible future use
- 3 Open the hardware bag [C] and check that all the hardware match with the quantities and types as shown in the following picture:

	[C1]	17/19 wrench	2 pcs
	[C2]	13/10 wrench	2 pcs
	[C3]	Nut caps m8	6 pcs
	[C4]	Plastic washer	4 pcs
	[C5]	Nut caps m12	8 pcs
	[C6]	Screw M12x65	4 pcs
	[C7]	Screw M6x40	4 pcs
	[C8]	Self locking nut M12	4 pcs
	[C9]	Screw M8x50	2 pcs
	[C10]	Screw M8x90	2 pcs
	[C11]	Self locking nut M8	4 pcs
	[C12]	Nut M6	4 pcs

If the hardware doesn't match with the picture please contact our assistance service department

- 4 Put the walking platform on one side.
- 5 Install the ramps with the hardware provided (Fig. 1).

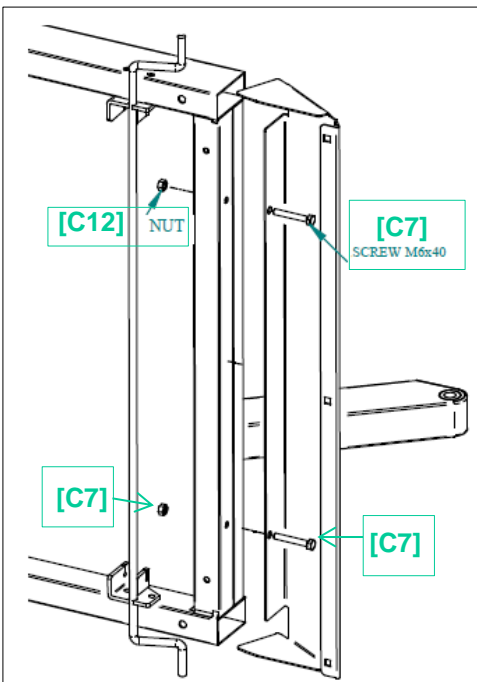


Fig. 1

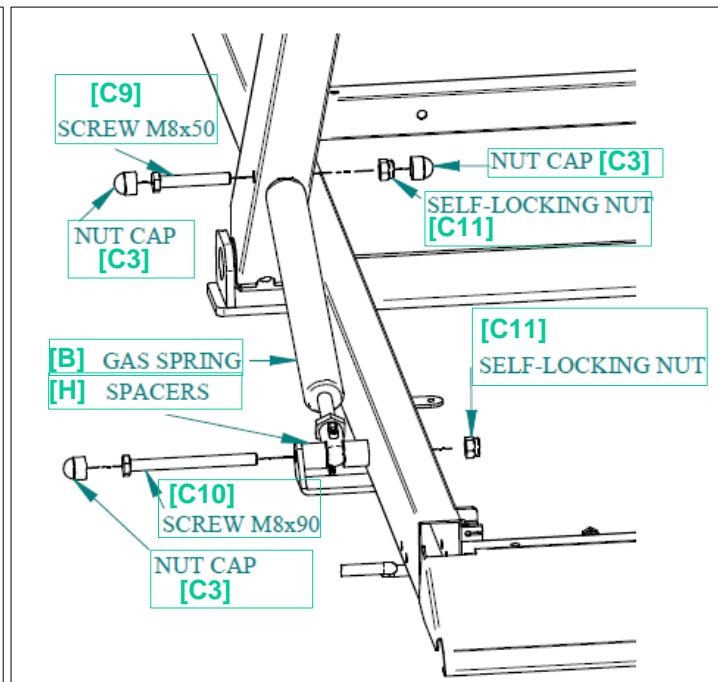


Fig. 2

- 6 Install the gas springs on the uprights from both sides: tighten the self-locking nut, leaving the spacers free to rotate (Fig. 2).
- 7 Place the platform in position for use.
- 8 Install the handrails with the hardware provided: tighten the self-locking nut thus allowing smooth height adjustment (Fig.3).

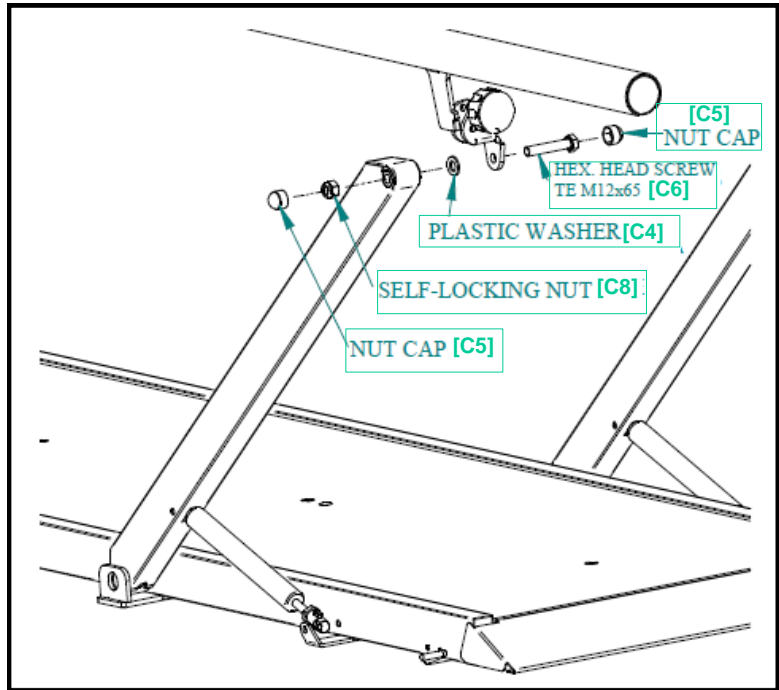


Fig. 3

3.2 01327

- 1 Remove the equipment, ramps and hardware bags from the packaging
- 2 Lay aside the spare parts bags [N] and [O] and storage them in a suitable place for possible future use
- 3 Open the hardware bag for the angle adjustment kit [G] and check that all the hardware match with the quantities and types as shown in the following picture

	[G1]	Screw M8x30	2 pcs
	[G2]	Screw M8x40	2 pcs
	[G3]	Nut caps m8	8 pcs
	[G4]	Screw M8x90	2 pcs
	[G5]	Screw M8x80	2 pcs
	[G6]	Nut M8	6 pcs
	[G7]	Dish washer	2 pcs
	[G8]	Hex wrench 6	1 pc
	[G9]	Spacer	8 pcs

If the hardware doesn't match with the picture please contact our assistance service department

- 4 Follow the steps from 3) to 8) of the previous chapter
- 5 Tilt kit mounting:
 - a. Install the gas springs and the tilting kit as shown in fig.4. Note that the screws must be free to rotate

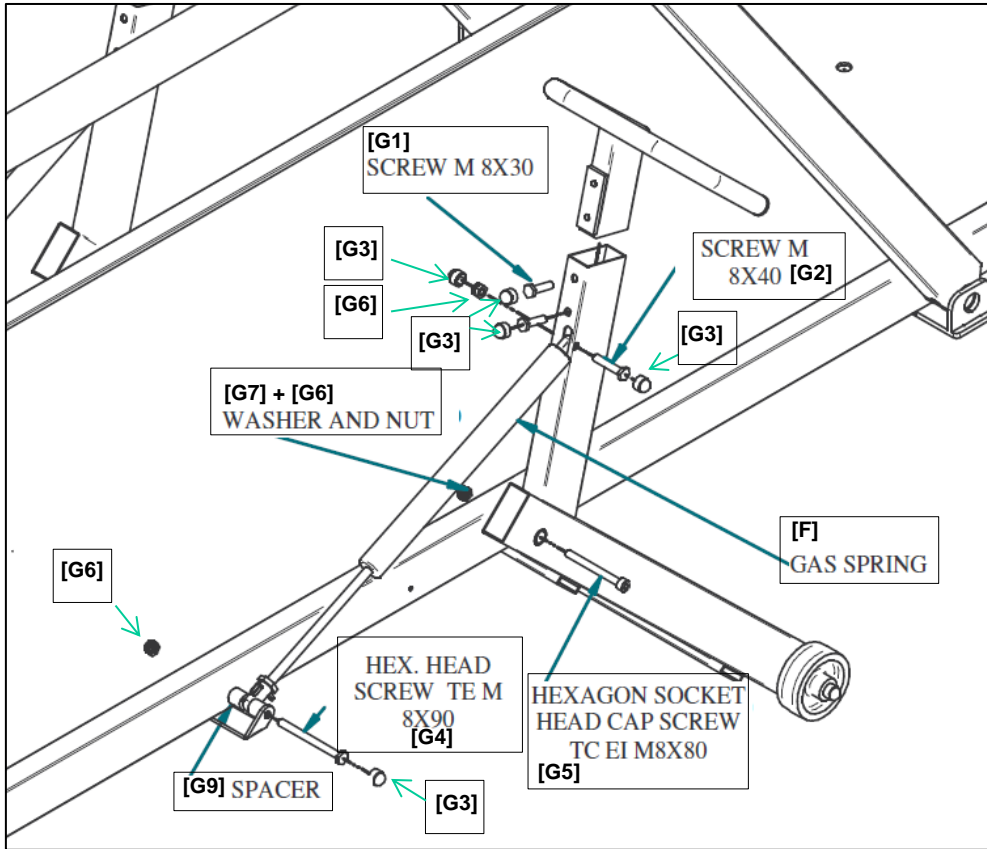


Fig.4

6 Fix the area boundary labels [I] onto the floor as shown in Fig. 5:

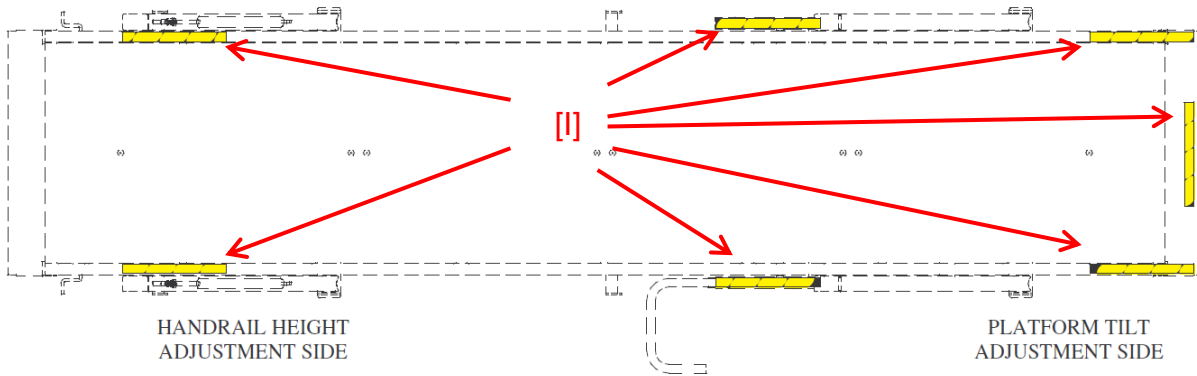
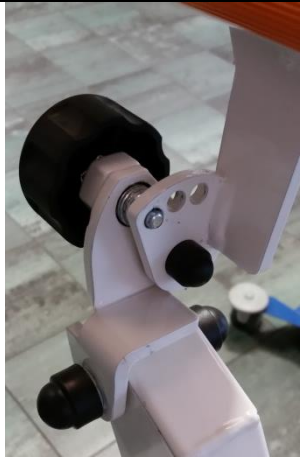





Fig. 5

3.3 WELL MOUNTED DETAILS

			
Handrail adjustment	Gas spring	Gas spring of tilting kit (only 01327)	Gas spring with spacers

If after mounted the parallel bar doesn't look like the details in the pictures please contact our assistance service department.

4 ADJUSTMENTS

4.1 HANDRAIL HEIGHT ADJUSTMENT

- 1 Grasp the handrails, release the position by pressing the pedal control (same effect achieved on right and left pedal)
- 2 Bring the handrails to the desired height and release the pedal to maintain the position.

⚠️ WARNINGS! ⚠️

During the handrail height adjustment, the springs alone will not ensure that the patient is secure on the platform



4.2 HANDRAIL WIDTH ADJUSTMENT

1. Unscrew one of the two knobs, on each handrail, until removing the pin from the three-hole blade.
2. Loosen the other knob (on the same handrail) and pull the handgrip to remove the pin from the three-hole blade; at this stage, while carrying out this operation with one hand, use the other hand to grab the handrail, which will now be free to move and can therefore be adjusted in width, by inserting the pin into the desired hole.
3. Tighten this knob and then screw back and tighten the other one.
4. The handrails, when tightened to the central hole, allow using the glider, code 01380



TIGHT KNOB



LOOSE KNOB

4.3 ANGLE ADJUSTMENT (ONLY 01327)

To adjust the angle of the platform use the lever as shown in the following figure



⚠ATTENZIONE⚠

Do not operate the adjustment handle with the patient load. The only gas springs do not guarantee the support of the structure beyond the limits set

5 MAINTENANCE

Only qualified personnel may carry out maintenance on the equipment. Technicians must be familiar with the model, use and maintenance of the equipment.

Check the equipment whenever it has undergone a "rough treatment" (e.g.: fall, liquid spill, etc.) and whenever any doubts arise concerning its safety.

5.1 ROUTINE MAINTENANCE

Routine maintenance tasks are to be carried out at least once every 12 months.

FREQUENCY	TASK
Half-yearly	General cleaning of the equipment
	Visual and functional inspection of the equipment.
	Mechanical strength, tightening the screws, sliding and locking adjustments, degrade the decking

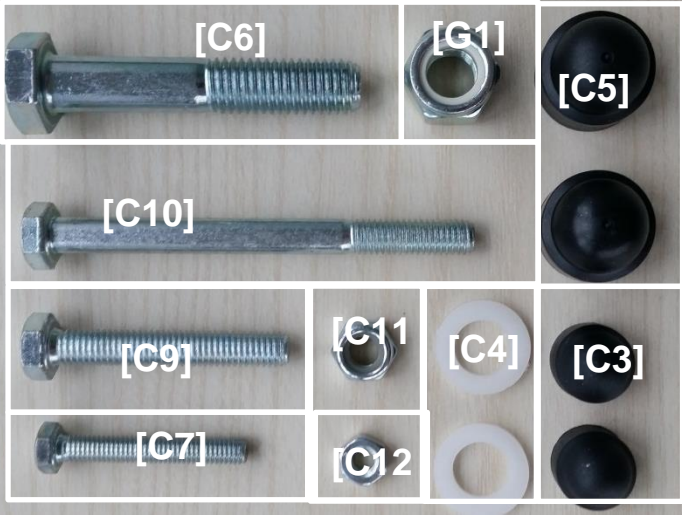
5.2 EMERGENCY MAINTENANCE


The emergency maintenance must be performed by specialized technicians or people with knowledge of the contents of this instruction booklet. For this type of interventions call for service of Chinesport SpA

5.3 PARTS LIST

Use only original spare parts. For the parts list, contact the offices CHINESPORT Spa.

The parallel bars are provided with some spare parts bags as follows:

	[C3]	Nut caps m8	1 pc	
	[C4]	Plastic washer	2 pcs	
	[C5]	Nut caps m12	2 pcs	
	[C6]	Screw M12x65	1 pc	
	[C7]	Screw M6x40	1 pc	
	[C8]	Self locking nut M12	1 pc	
	[C9]	Screw M8x50	1 pc	
	[C10]	Screw M8x90	1 pc	
	[C11]	Self locking nut M8	1 pc	
	[C12]	Nut M6	2 pcs	
	Spare parts bag [N].			

	[G1]	Screw M8x30	1 pc
	[G2]	Screw M8x40	1 pc
	[G4]	Screw M8x90	1 pc
	[G5]	Screw M8x80	1 pc
	[G6]	Nut M8	1 pc
	[G7]	Dish washer	1 pc
	[G8]	Nut caps m8	1 pc
	[G9]	Spacer	1 pc
	[G10]	Washer	1 pc
	Spare parts bag [O]. Only for 01327		

6 CLEANING AND DISINFECTION

6.1 WASHING

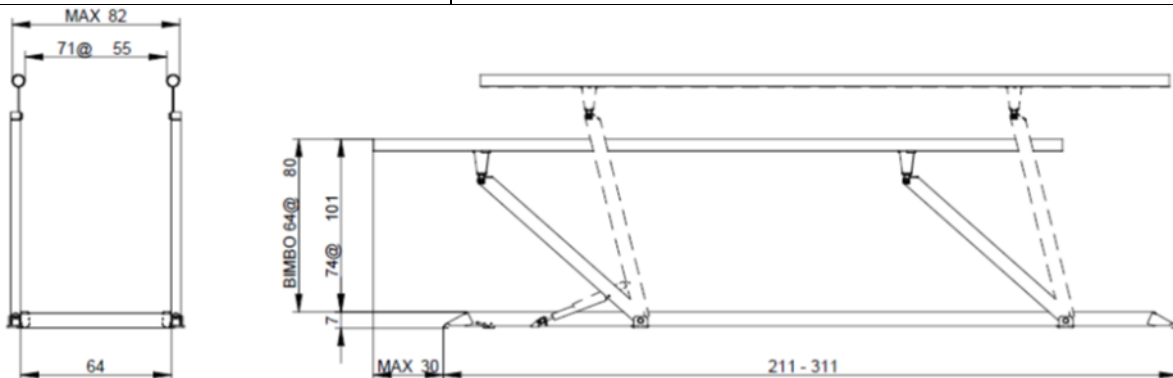
Dust gently and in case of light stains pass the surface with a damp cloth or a neutral detergent, rinse with water without squeezing. Let the fabric dry avoiding direct exposure to the sunlight. The following instructions are recommended for small located and more obstinate stains (oil, fat, cosmetics, ink, coffee, liquor, chewing-gum etc.): dissolve immediately with clear ethylic alcohol diluted in water to 20%, dab and then treat with a neutral detergent solution. Rinse abundantly.

6.2 DISINFECTION

For the disinfection of surfaces such as chassis, sky, hand control, etc. we recommend the use of disinfectants such as AMUCHINA® 10% or equivalent disinfectant with sodium hypochlorite 0.1%

7 TECHNICAL FEATURES

FEATURE	01325	01326	01327	01391	02996
Weight [kg]	73	99	106	71	97
Overall dimensions [cm]	211x104x108	311x104x108	311x104x108	211x104x87	311x104x87
Handrail capacity (each) [kg]	135				
Inclined platform capacity [kg]	150				
Handrail height adjustment [cm]	74÷101			64÷80	
Handrail width adjustment [cm]	55÷71				



8 PARALLEL BARS ACCESSORIES

A wide range of accessories can be provided with the parallels bars. Please visit www.chinesport.com for the full list of accessories

9 WARRANTY

GENERAL AFTER-SALES SERVICE CONDITIONS FOR CHINESPORT ITEMS

The warranty shall be valid for a period of 24 months from the date of delivery. The warranty does not cover consumable items, rechargeable batteries, and generally all the material subject to wear, breakdowns caused by knocks, falls, misuse or improper use, accidental events and transport damage. This warranty shall be automatically invalidated if the equipment is tampered with. Repair of the equipment will be carried out in relation to the breakdown stated. An estimate must be specifically requested. Payment is cash on delivery, unless other agreements are made. Any dispute will be dealt with solely by the Court of UDINE.

WARRANTY REPAIRS

Repairs under warranty must be specifically requested. Repairs under warranty shall be carried out at our workshop and upon authorization, complete with the return authorization number. The return shipment for products sent in their original package will be made free of carriage charges. A fiscal document (bill of sale, purchase invoice or cash receipt) is required to make a warranty claim; the purchase date indicated must fall within the warranty time period. If the product is found to be in good working order without defect, the fault-finding service shall be charged to the customer.

OUT-OF-WARRANTY REPAIRS

For out-of-warranty repairs carried out at our workshops upon authorization, transportation charges shall be paid by the customer. The warranty of the parts replaced during the repair operations is 12 months from the moment the equipment is collected. If the product is found to be in good working order without defect, the fault-finding service shall be charged to the customer.

REPAIRS MADE AT HOME

In the event repairs are made at the customer's home, a written request is required indicating the complete details of the person making the request, the type of machine and the breakdown. The cost per kilometer for on-site technician visits will be agreed upon in relation to the urgency of the customer. In the event the machine is under warranty, the customer will have to pay only the expenses incurred for the technician to reach the customer's house. Time is calculated from the moment the technician leaves our workshop until he/she returns. The time of his/her return will be estimated based on the time required to get there.

SALE OF SPARE PARTS AND CONSUMABLE ITEMS

The orders must be in writing and specify the customer, the item and the shipping method as well as the precise fiscal data of the customer. The order processing time can vary depending on the availability of the material.


Returned spare parts will not be accepted. Payment will be cash on delivery, unless other agreements are made.

10 MAINTENANCE RECORD SHEET

EQUIPMENT		DATE of first installation	SERIAL NUMBER		
DATE OF SERVICE	OPERATIONS CARRIED OUT	TECHNICIAN	SIGNATURE	NEXT VERIFY DATE	







1 INFORMAZIONI GENERALI


SCOPO E CONTENUTO DELLE ISTRUZIONI	<p>Questo manuale ha lo scopo di fornire agli utilizzatori ed addetti le informazioni necessarie affinché, oltre ad un adeguato utilizzo dell'apparecchiatura, siano in grado di gestire la stessa in autonomia e sicurezza. Il manuale contiene informazioni inerenti all'aspetto tecnico, al funzionamento, alla manutenzione, ai ricambi ed alla sicurezza. Esso è rivolto anche ai tecnici abilitati alla manutenzione dell'apparecchiatura.</p> <p>Questo Manuale Istruzioni deve sempre seguire l'apparecchiatura e deve essere accuratamente conservato al fine di non comprometterne lo stato di leggibilità.</p> <p>In caso di cessione a terzi è necessario trasmettere il presente manuale insieme agli altri documenti così come previsto dalla Direttiva Europea CEE 93/42 e successive modifiche e integrazioni. Questo manuale non è un prontuario medico</p>
COSTRUTTORE	<p>CHINESPORT S.P.A, Via Croazia, 2-33100 Udine, Italia. Tel. +39 0432621621–fax+39 0432621620 – sito internet: www.chinesport.it. L'azienda ha un sistema di qualità secondo la norma UNI EN ISO 13485:2012</p>
DESTINAZIONE D'USO E DESCRIZIONE DELL' APPARECCHIATURA	<p>Le parallele sono apparecchiature che permettono di eseguire in sicurezza esercizi di riabilitazione alla deambulazione. Sono fabbricate in acciaio verniciato con corrimano ricoperto in termoplastica. Le parallele modulari della nuova LINEA PLUS sono caratterizzate dal "STandGOSystem" per la regolazione simultanea e precisa dei corrimani sui due lati, mantenendo il loro perfetto parallelismo, mediante un unico comando che richiede il minimo sforzo di azionamento</p> <p>Il comando a pedale attiva delle molle a gas per uno spostamento continuo assicurando la massima precisione e uniformità della regolazione, che può essere millimetrica, o comunque estremamente fine, e può essere rapidamente effettuata anche durante l'esecuzione dell'esercizio riabilitativo. La distanza tra i corrimani è regolabile in modo semplice per adattarsi alle esigenze dell'utilizzatore o dell'esercizio terapeutico da svolgere. I moduli di base da 2 e da 3 metri di lunghezza possono essere accoppiati in varie combinazioni per ottenere dei sistemi di parallele di diverse dimensioni: 2,3,4,5,6 metri ed oltre. Il sistema di traslazione delle parallele durante la regolazione della loro altezza consente ad una persona in carrozzella di accedere ai corrimano senza la necessità di salire sulla rampa della pedana di base. I corrimani sono inoltre accessibili dalla posizione seduta ed in seguito regolabili per una corretta deambulazione in postura eretta. Sulla pedana delle parallele modulari è possibile inserire degli elementi di diverse tipologie per realizzare specifici percorsi terapeutico-riabilitativi. In particolare i nuovi ostacoli e divaricatori magnetici (art. 01330) che con rapidità si possono installare ed adattare alle specifiche esigenze del paziente.</p> <p>La versione cod. 01327 Tilt permette la regolazione da 0 a 10 gradi della pedana con un unico comando manuale, e consente di ampliare le condizioni di difficoltà per la deambulazione dell'utente nell'ambito del programma terapeutico-riabilitativo.</p>
AMBIENTE DI APPLICAZIONE / UTILIZZO	<p>I dispositivi medici oggetto del presente manuale sono conformi alla direttiva 93/42/CEE modificata dalla 2007/47/CE secondo l'allegato VII.</p>
ULTERIORI INFORMAZIONI	<p>Visitare il sito www.chinesport.it</p>
IMMAGAZZINAGGIO	<p>In caso di immagazzinamento si devono rispettare le seguenti condizioni ambientali:</p> <ol style="list-style-type: none"> 1. umidità relativa 10% / 90 %; 2. temperatura -10°C / +50°C.

EFFETTI COLLATERALI	Non si riscontrano effetti collaterali. Utilizzare sempre l'apparecchiatura in maniera consona. E' raccomandata la conoscenza del presente libretto di istruzioni.
 LIMITAZIONI D'USO E AVVERTENZE PARTICOLARI	L'articolo non deve essere utilizzato: <ul style="list-style-type: none"> • Senza aver effettuato tutte le previste regolazioni e messe a punto dedicate. • Quando l'uso è controindicato o genera gravi disagi al paziente. • Con manomissioni e/o modifiche sul prodotto originale. • In configurazione impropria o quando ci sia il sospetto che possa arrecare danno al paziente. • Le parti plastiche possono incendiarsi se messe in contatto con fiamme libere. • Non versare liquidi sulle parti metalliche. • L'idoneità fisica e psichica dell'utilizzatore a far uso dei sussidi deve essere approvata da uno specialista • Non caricare i corrimani, la pedana (dove indicato) ed il carrello oltre limite dichiarato. • Le parti in legno e le parti plastiche dell'apparecchiatura possono incendiarsi se messe in contatto con fiamme libere. • Le parti meccaniche regolabili o in movimento possono causare lesioni

1.1 SIMBOLI

Nel presente manuale e sulla attrezzatura stessa, i simboli sono utilizzati per attirare l'attenzione dell'utente su avvisi di sicurezza importanti e informazioni utili. Osservare tutti i messaggi di avvertenza, attenzione e pericolo

	AVVERTENZA I messaggi di avvertenza segnalano all'utente/utilizzatore il rischio di infortuni o pericoli qualora, durante operazioni di funzionamento o di manutenzione, non vengano osservate attentamente le procedure e le condizioni riportate.
	PERICOLO DI SCOSSE ELETTRICHE Questo simbolo segnala all'utente il rischio di scosse elettriche qualora, durante operazioni di funzionamento o di manutenzione, non vengano osservate attentamente le procedure e le condizioni riportate.
	ATTENZIONE Un simbolo di Attenzione è usato per avvisare l'utente di una procedura di funzionamento o manutenzione, prassi o condizione che, se non strettamente osservata, potrebbe danneggiare l'apparecchiatura..
	NOTA Le note richiamano l'attenzione dell'utente su importanti informazioni relative all'argomento, all'applicazione o alla procedura
	SUGGERIMENTO I suggerimenti richiamano l'attenzione dell'utente sul modo più rapido o più semplice per completare un'attività.
	ADDETTI Il simbolo indica il numero di persone minime consigliate, necessarie per una installazione in sicurezza; può anche essere superiore mentre è espressamente sconsigliato un numero inferiore.

 **NOTE**

In caso di dubbi e/o necessità di chiarimenti durante l'installazione, contattare l'assistenza tecnica con email diretta all'indirizzo assistenza@chinesport.it segnalando la pagina e gli elementi su cui avete bisogno di approfondimenti: se necessario allegare foto dei dettagli/particolari

La Chinesport NON è responsabile dell'ancoraggio alle pareti, fase che deve essere eseguita a regola d'arte, nel rispetto delle normative vigenti ed a totale carico dell'acquirente.

2 MONTAGGIO ED INSTALLAZIONE

 **AVVERTENZE** 

La corretta installazione ed il rispetto delle portate sono fondamentali per la sicurezza del paziente e del professionista.

⚠️ AVVERTENZE ⚠️

Prima di procedere accertare l'idoneità strutturale dell'ambiente e l'adeguatezza dello spazio a disposizione.

- Considerare che per l'installazione le strutture necessitano di competenza tecnica ed idonea attrezzatura.
- Disimballare e movimentare gli elementi con la massima cura tenendoli suddivisi per tipologia: se si notano anomalie nell'imballo e nel prodotto non proseguire nell'installazione ma avvisare tempestivamente il Costruttore
- Durante le operazioni di montaggio prestare la massima attenzione ed indossare sempre i dispositivi di personali (scarpe anti-infortunistiche, ecc...).
- Consultare gli schemi successivi ed il manuale d'uso.
- Il costruttore non può rispondere dell'installazione eseguita fuori controllo.
- Non lasciare la struttura in uso a minori fuori sorveglianza.
- L'apparecchiatura e gli accessori sono destinati esclusivamente all'uso stabilito nell'apposito manuale d'uso fornito con l'apparecchiatura

⚠️ ATTENZIONE ⚠️

- L'apparecchiatura non deve essere utilizzata
- Senza aver effettuato il corretto assemblaggio, ancoraggio e collaudo.
- Con manomissioni e/o modifiche sul prodotto originale.
- In configurazione impropria o quando ci sia il sospetto che possa arrecare danno al paziente.
- Da bambini e minori non sorvegliati.
- In ambiente esposto alle intemperie.

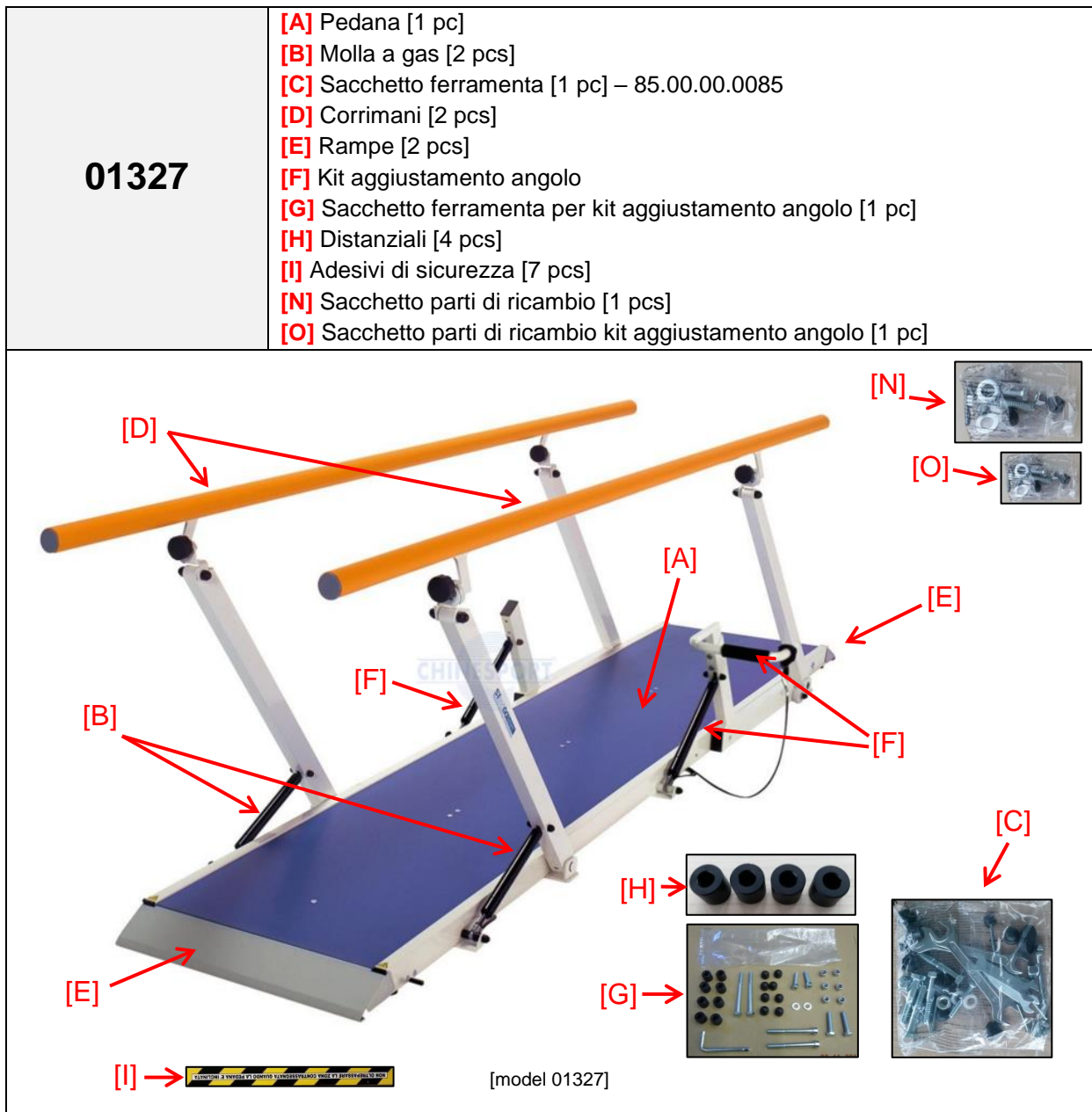
In particolare:

- L'installazione deve essere effettuata da un tecnico competente che abbia consultato il presente manuale ed accertato l'idoneità del locale.
- Valutare i possibili pericoli derivanti dall'associazione di altre apparecchiature alla struttura

2.1 CONTENUTO DELLA CONFEZIONE

<p>01325</p> <p>01326</p> <p>01391</p> <p>02996</p>	<p>[A] Pedana [1 pc]</p> <p>[B] Molle a gas [2 pcs]</p> <p>[C] Sacchetto ferramenta [1 pc] – 85.00.00.0085</p> <p>[D] Corrimani [2 pcs]</p> <p>[E] Rampe [2 pcs]</p> <p>[H] Distanziali [4 pcs]</p> <p>[N] Sacchetto parti di ricambio [1 pc]</p>
---	---

[modello 01325 solo per riferimento]



3 MONTAGGIO

3.1 01325-01326-01391-02996

- 1 Estrarre l'apparecchiatura, le rampette e i sacchetti ferramenta dall'imballo.
- 2 Mettera da parte il sacchetto con le parti di ricambio **[N]** e conservarlo in un luogo precisato per un possibile uso futuro
- 3 Aprire il sacchetto ferramenta **[C]** e controllare che il contenuto corrisponda a quanto riportato nella figura sotto:

	[C1]	chiave 17/19	2 pcs
	[C2]	chiave 13/10	2 pcs
	[C3]	copridado m8	6 pcs
	[C4]	Rondella di plastica	4 pcs
	[C5]	copridado m12	8 pcs
	[C6]	vite M12x65	4 pcs
	[C7]	vite M6x40	4 pcs
	[C8]	Dado autobloccante M12	4 pcs
	[C9]	vite M8x50	2 pcs
	[C10]	vite M8x90	2 pcs
	[C11]	Dado autobloccante M8	4 pcs
	[C12]	dado M6	4 pcs

Se il contenuto della confezione differisce da quanto sopra riportato, contattare la nostra assistenza tecnica

- 4 Posizionare la piattaforma su di un lato.
- 5 Installare le rampe come mostrato (Fig. 1).

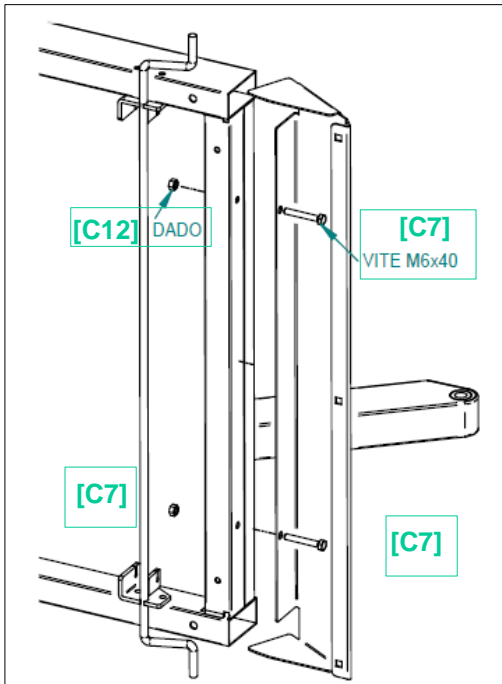


Fig. 1

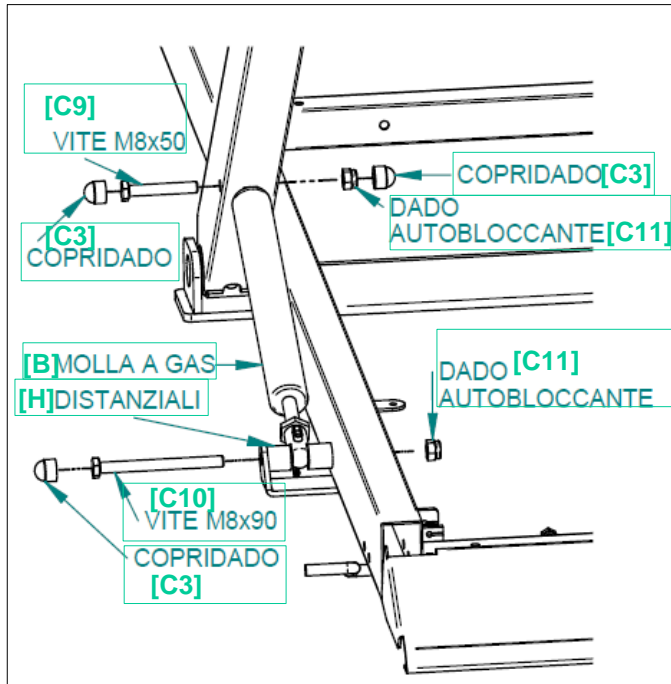


Fig. 2

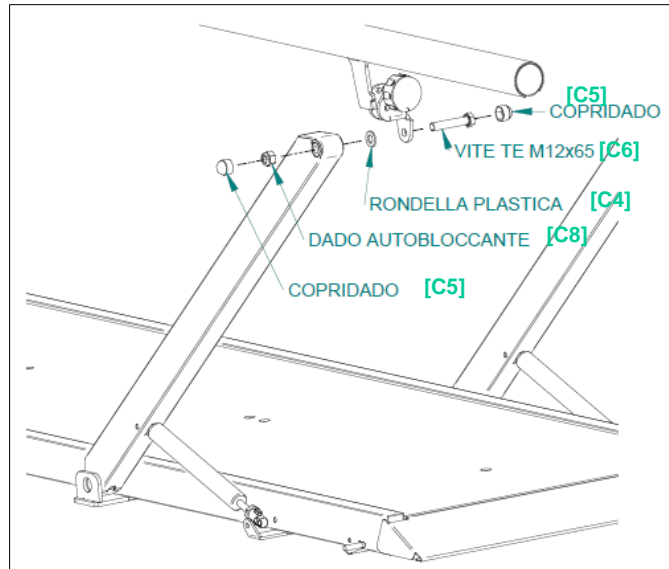


Fig. 3

- 6 Installare le molle a gas sui montanti da entrambi i lati: serrare il dado autobloccante lasciando i distanziali liberi di ruotare (Fig. 2).
- 7 Mettere la pedana in posizione di utilizzo.
- 8 Installare i corrimani con l'apposita ferramenta: serrare il dado autobloccante senza impedire la regolazione fluida dell'altezza (Fig.3).

3.2 01327

- 1 Estrarre l'apparecchiatura, le rampette e i sacchetti ferramenta dall'imballo.
- 2 Mettera da parte il sacchetto con le parti di ricambio **[N]** ed **[O]** e conservarli in un luogo precisato per un possibile uso futuro
- 3 Aprire il sacchetto ferramenta **[G]** e controllare che il contenuto corrisponda a quanto riportato nella figura sotto:

	[G1]	Vite M8x30	2 pcs
	[G2]	Vite M8x40	2 pcs
	[G3]	Copri dado m8	8 pcs
	[G4]	Vite M8x90	2 pcs
	[G5]	Vite M8x80	2 pcs
	[G6]	Dado M8	6 pcs
	[G7]	Rondella	2 pcs
	[G8]	Chiave 6	1 pc
	[G9]	Distanziale	9 pcs

Se il contenuto della confezione differisce da quanto sopra riportato, contattare la nostra assistenza tecnica

- 4 Seguire le istruzioni da 3) a 8) del capitolo precedente
- 5 Montaggio del kit di regolazione dell'angolo:
 - a. Installare le molle a gas ed il tilt di reogolazione dell'angolo come mostrato in figura 4. Le viti devono essere libere di ruotare

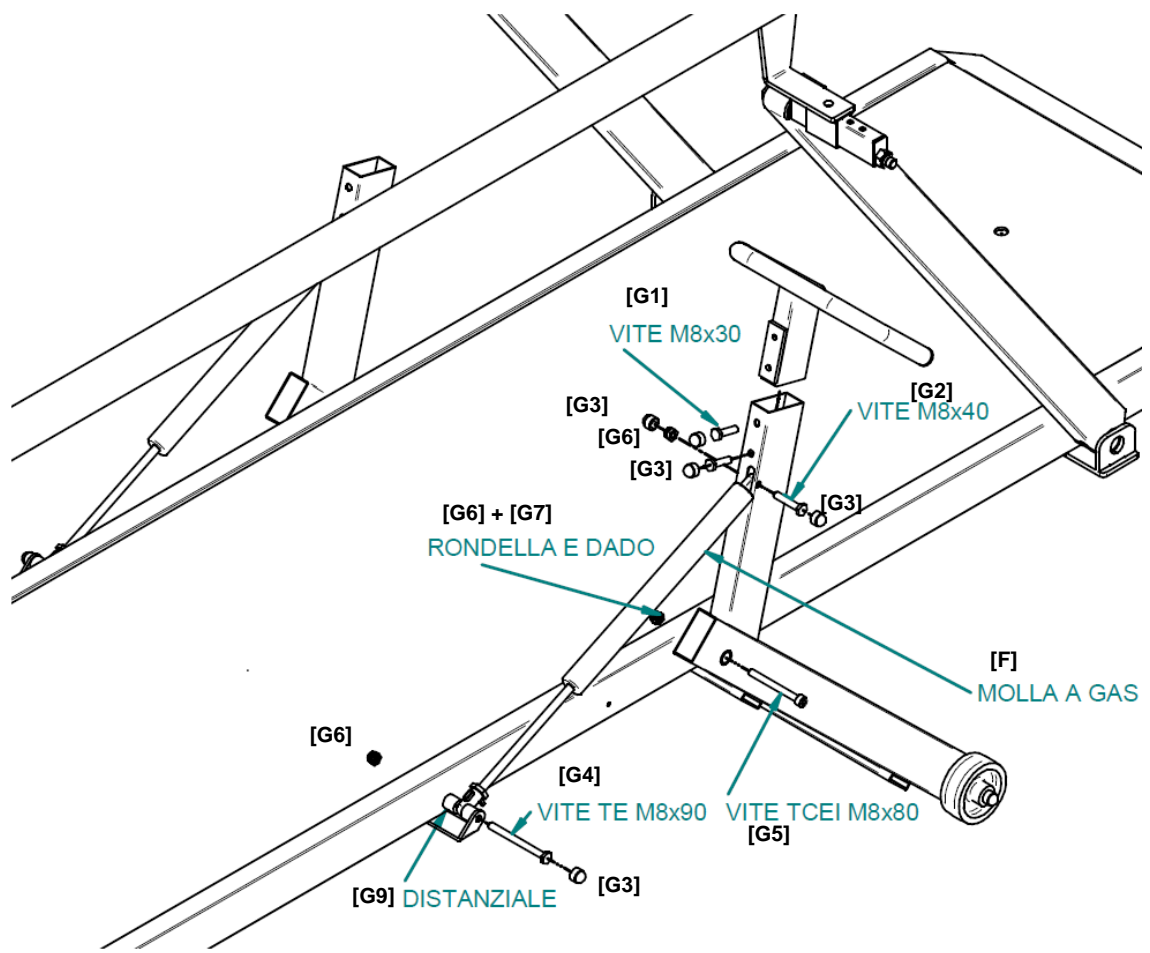


Fig. 4

6 Incollare le etichette [I] per delimitare l'area di lavoro in sicurezza come in figura 5:

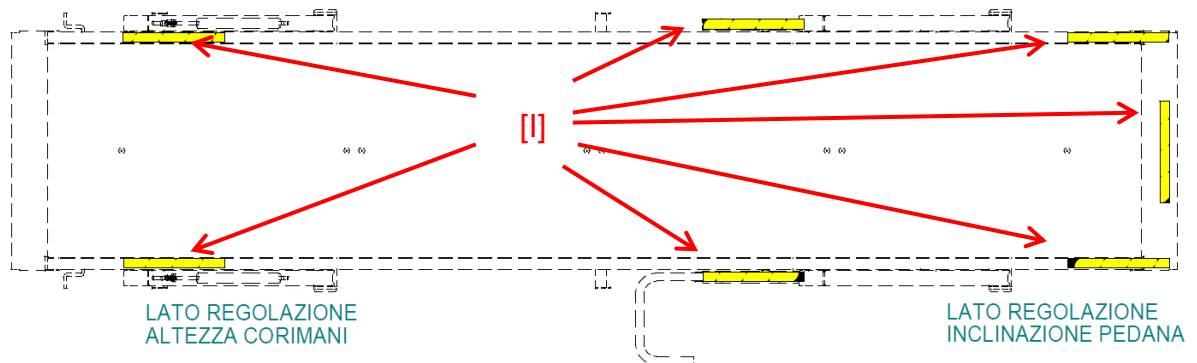
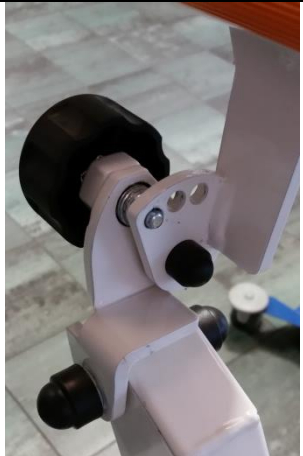





Fig. 5

3.3 ESEMPI DI CORRETTO MONTAGGIO

			
Regolazione corrimani	Molla a gas	Molla a gas versione tilt (solo 01327)	Molla a gas con distanziali

4 REGOLAZIONI

4.1 REGOLAZIONE ALTEZZA CORRIMANI

1. Impugnare i corrimano, sbloccare la posizione premendo il comando a pedale (si ottiene lo stesso effetto tra pedale destro o sinistro)
2. Accompagnare i corrimani all'altezza desiderata. e rilasciare il pedale per mantenere la posizione



Non azionare il pedale di sblocco con il paziente in carico. Le sole molle non garantiscono il sostegno della struttura oltre i limiti indicate.



4.2 REGOLAZIONE LARGEZZA CORRIMANI

- 1) Svitare uno dei due volantini, del singolo corrimano, fino a che il perno dello stesso volantino sia completamente fuori dalla lama a tre fori.
- 2) sull'altro volantino (dello stesso corrimano) basta intervenire allentandolo dalla condizione di bloccaggio e tirando l'impugnatura per estrarre il perno dalla lama a 3 fori; in questa fase con una mano eseguire questa operazione e con l'altra afferrare il corrimano che, libero di muoversi, può essere posizionato in una nuova condizione di larghezza, lasciando che il perno rientri nel foro desiderato.
- 3) Serrare quindi questo volantino e, riportandosi sull'altro volantino, riavvitare e serrare.

4) I corrimani regolati sul foro centrale consentono di utilizzare l'accessorio carrello 01380



VOLANTINO SERRATO



VOLANTINO ALLENTATO

4.3 REGOLAZIONE DELL'INCLINAZIONE (SOLO 01327)

Per regolare l'inclinazione della pedana utilizzare la leva come mostrato nella seguente figura



⚠ATTENZIONE⚠

Non azionare la maniglia di regolazione con il paziente in carico. Le sole molle non garantiscono il sostegno della struttura oltre i limiti indicati

5 MANUTENZIONE

Gli interventi di manutenzione devono essere eseguiti da tecnici specializzati o persone con conoscenza del contenuto del presente libretto istruzioni.

Verificare le condizioni di sicurezza dell'apparecchio dopo ogni situazione di "trattamento rude" (es.: caduta, urti violenti, versamento di liquidi, etc.) ed ogni qualvolta si abbiano dei dubbi sullo stato di sicurezza dell'attrezzatura.

5.1 MANUTENZIONE ORDINARIA

Gli interventi di manutenzione ordinaria vanno eseguiti almeno una volta all'anno.

FREQUENZA	OPERAZIONE
Semestrale	Pulizia generale attrezzatura
	Ispezione visiva e funzionale della attrezzatura
	Solidità meccanica, serraggio delle viti, scorrimento e bloccaggio delle regolazioni, degrade del piano di calpestio

5.2 MANUTENZIONE STRAORDINARIA

Gli interventi di manutenzione straordinaria devono essere eseguiti da tecnici specializzati o persone con conoscenza del contenuto del presente libretto istruzioni. Per questa tipologia di interventi rivolgersi all'assistenza tecnica di Chinesport SpA

5.3 LISTA RICAMBI

Utilizzare esclusivamente ricambi originali. Per la lista ricambi contattare gli uffici CHINESPORT S.p.a
I dispositivi sono forniti con alcuni pezzi di ricambio come segue:

	[C3]	Copri dado m8	1 pc	
	[C4]	Rondella plastica	2 pcs	
	[C5]	Copri dado m12	2 pcs	
	[C6]	Vite M12x65	1 pc	
	[C7]	Vite M6x40	1 pc	
	[C8]	Dado autobloccante M12	1 pc	
	[C9]	Vite M8x50	1 pc	
	[C10]	Vite M8x90	1 pc	
	[C11]	Dado autobloccante M8	1 pc	
	[C12]	Dado M6	2 pcs	
	Sacchetto ricambi [N].			

	[G1]	Vite M8x30	1 pc
	[G2]	Vite M8x40	1 pc
	[G3]	Copri dado m8	1 pc
	[G4]	Vite M8x90	1 pc
	[G5]	Vite M8x80	1 pc
	[G6]	Dado M8	1 pc
	[G7]	Rondella	1 pc
	[G8]	Chiave 6	1 pc
	[G9]	Distanziale	1 pc
	[G10]	Rondella	1 pc
Sacchetto ricambi [O]. Solo per 01327			

6 PULIZIA E DISINFEZIONE

6.1 LAVAGGIO

La pedana può essere trattata con panno inumidito di acqua e detergente usuale per pavimenti: asciugare accuratamente, il ristagno d'acqua può danneggiare le pedane.

Il corrimano può essere trattato con disinfettanti non aggressivi

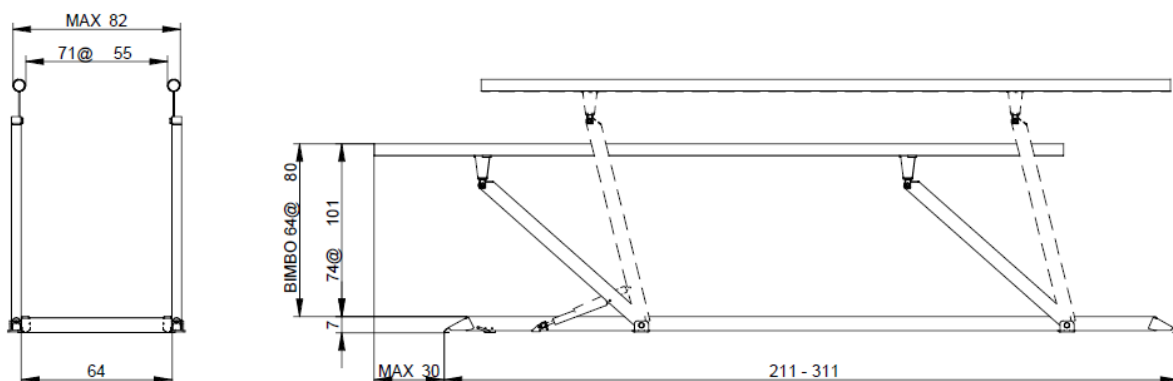
Per le macchie localizzate e più ostinate (olio, grasso, cosmetici, inchiostro, caffè, liquori, chewing-gum ecc.) si consiglia di seguire le seguenti istruzioni: disciogliere tempestivamente la macchia con alcol etilico diluito (liquido incolore) in acqua al 20%, tamponare e trattare successivamente con una soluzione di detergente neutro. Risciacquare bene.

6.2 DISINFEZIONE

Per la disinfezione delle superfici si consiglia l'utilizzo di prodotti disinfettanti quali AMUCHINA® 10% o equivalente con sodio ipoclorito allo 0,1%

7 SCHEDE TECNICHE

CARATTERISTICHE	01325	01326	01327	01391	02996
Peso [kg]	73	99	106	71	97
Dimensioni massime [cm]	211x104x108	311x104x108	311x104x108	211x104x87	311x104x87
Portata su singolo corrimano [kg]	135				
Portata su pedana inclinata [kg]				150	
Regolazione altezza corrimani [cm]	74÷101			64÷80	
Regolazione larghezza corrimani [cm]	55÷71				



8 ACCESSORI PARALLELE

Una vasta gamma di accessori può essere fornita con le parallele.

Visitare www.chinesport.com per l'elenco completo degli accessori.

9 GARANZIA

CONDIZIONI GENERALI ASSISTENZA POST-VENDITA ARTICOLI CHINESPORT

La durata della garanzia è di 24 mesi dalla data di consegna. La garanzia non copre i materiali di consumo, le batterie ricaricabili, e in generale tutto il materiale soggetto ad usura, i guasti causati da urti, cadute, uso errato o improprio, eventi accidentali, danni causati dal trasporto. Qualora l'apparecchiatura risulti manomessa, la garanzia decade automaticamente. La riparazione delle apparecchiature sarà eseguita in relazione al guasto dichiarato.

Il preventivo dovrà essere richiesto espressamente. L'eventuale pagamento si intende in contrassegno, salvo accordi particolari. Per ogni controversia l'unico foro competente è quello di UDINE.

RIPARAZIONI IN GARANZIA

Le riparazioni in garanzia dovranno essere richieste espressamente. Le riparazioni in garanzia si intendono presso il nostro laboratorio, previa autorizzazione e con rilascio del numero di rientro. Per i prodotti inviati con l'imballo originale, la spedizione di ritorno sarà effettuata in porto franco. Per la riparazione in garanzia occorre un documento fiscale dove la data d'acquisto rientri nei tempi di garanzia, (bolla di vendita, fattura d'acquisto, scontrino fiscale). Qualora, al momento del controllo, il prodotto risulti perfettamente funzionante vengono comunque addebitate al cliente le spese di ricerca guasto.

RIPARAZIONI FUORI GARANZIA

Per le riparazioni fuori garanzia effettuate nei nostri laboratori previa autorizzazione, le spese di trasporto sono a carico del cliente. Limitatamente alle parti sostituite nell'intervento effettuato, la garanzia sulla riparazione è di 12 mesi dal ritiro della macchina. Qualora, al momento del controllo, il prodotto risulti perfettamente funzionante vengono comunque addebitate al cliente le spese di ricerca guasto.

RIPARAZIONI A DOMICILIO

In caso di riparazione presso il cliente, occorre richiesta scritta ove siano indicate le generalità complete del richiedente, il tipo di macchina ed il guasto. Il costo chilometrico del trasferimento del tecnico è da concordare in relazione all'urgenza del cliente. Nel caso in cui la macchina in oggetto dell'intervento sia in garanzia saranno addebitati solamente i costi del trasferimento. Il tempo viene conteggiato dalla partenza del tecnico dal nostro laboratorio fino al suo rientro, l'ora di rientro sarà stimata sulla base del tempo impiegato all'andata.

VENDITA PARTI DI RICAMBIO E CONSUMABILI

Gli ordini dovranno pervenire per scritto specificando il cliente, l'articolo, la modalità di spedizione, nonché i dati fiscali esatti del cliente. I tempi di evasione dell'ordine potranno variare in dipendenza della disponibilità del materiale. Non si accettano resi per le parti di ricambio. Il pagamento sarà contrassegno, salvo accordi particolari.

10 REGISTRAZIONE INTERVENTI

APPARECCHIATURA		DATA prima installazione	NUMERO DI SERIE		
DATA INTERVENTO	OPERAZIONI ESEGUITE	TECNICO	FIRMA	PROSSIMA SCADENZA	