

# Assembly Manual

## 4122B - CALN

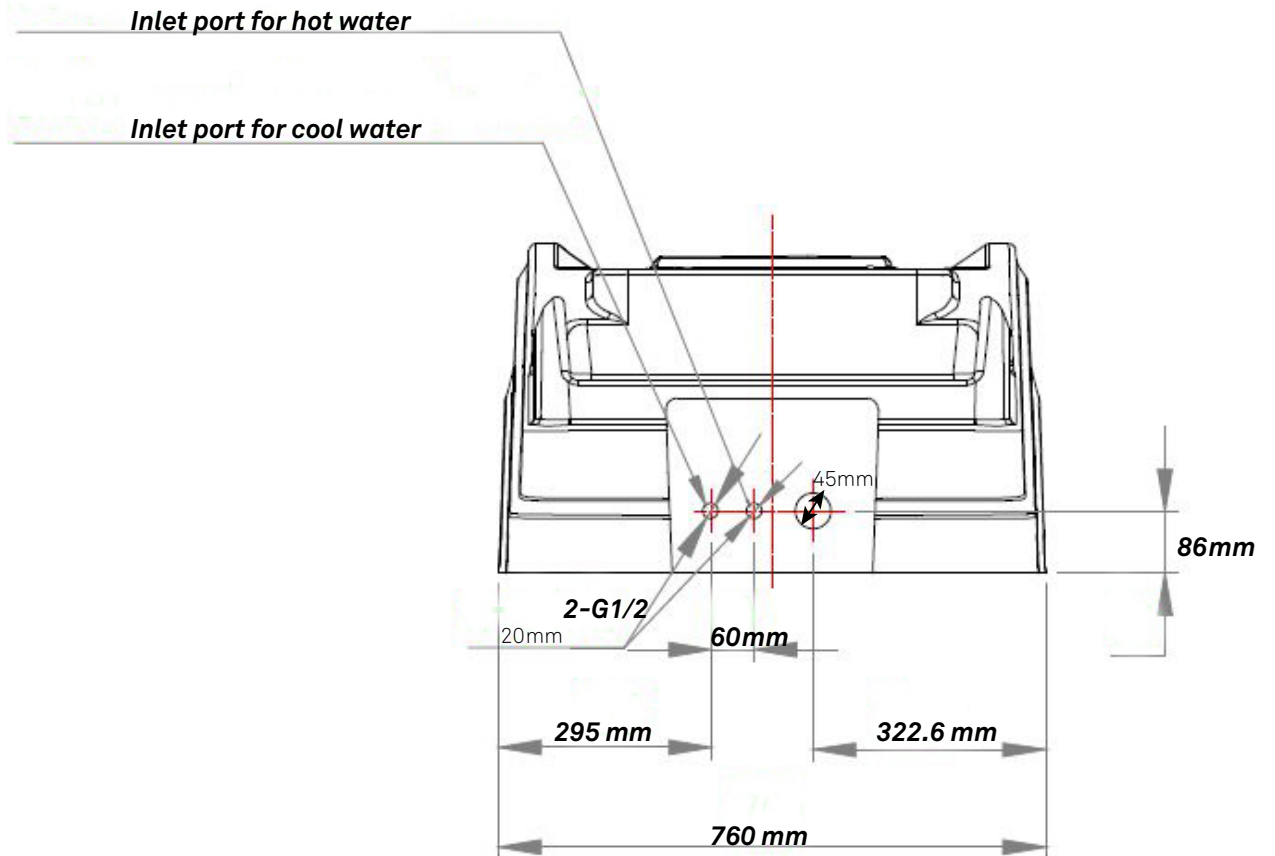


# 4122B-CALN



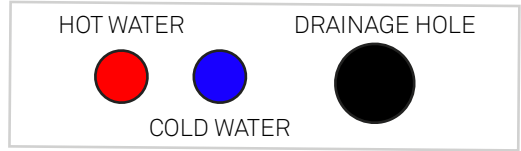
## CALN MAIN SIZES AND COLD-HOT HOLES LOCATION

As you can see in the following photos, you can locate the hot/cold and drain hole.



# 4122B-CALN

What this photo shows is the connections for the hot, cold and drainage pipes.

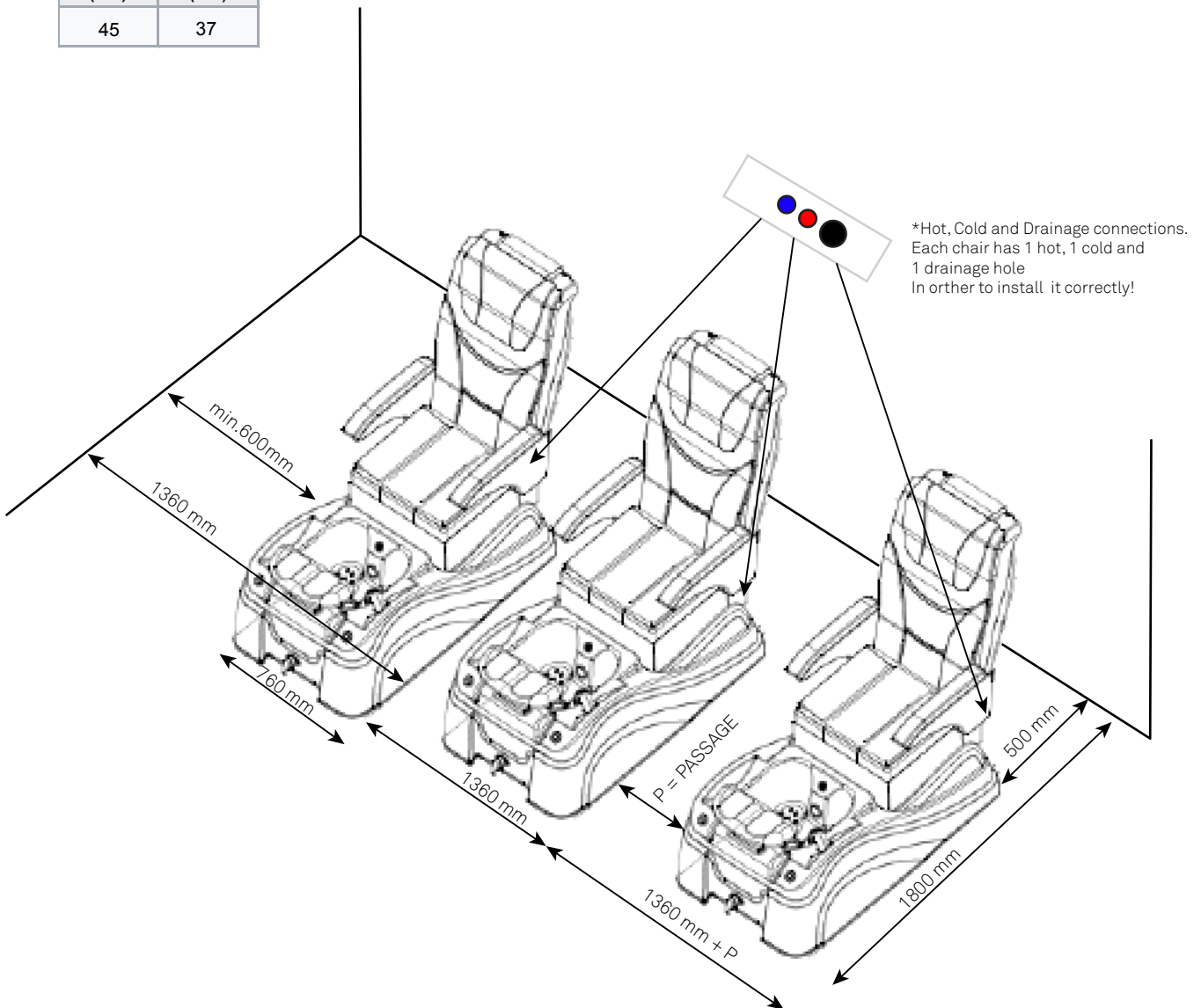


## G1/2 Pipe (HOT & COLD PIPE)

G / R size (in)	Thread pitch		Major diameter		Minor diameter		Gauge length		Tapping drill	
	(in <sup>-1</sup> )	(mm)	(in)	(mm)	(in)	(mm)	(in)	(mm)	R 95% (mm)	G 80% (mm)
1/2	14	1814	0.8250	20955	0.7335	18631	.3214	8.2	18.7	19.1

## DRAINAGE HOLE

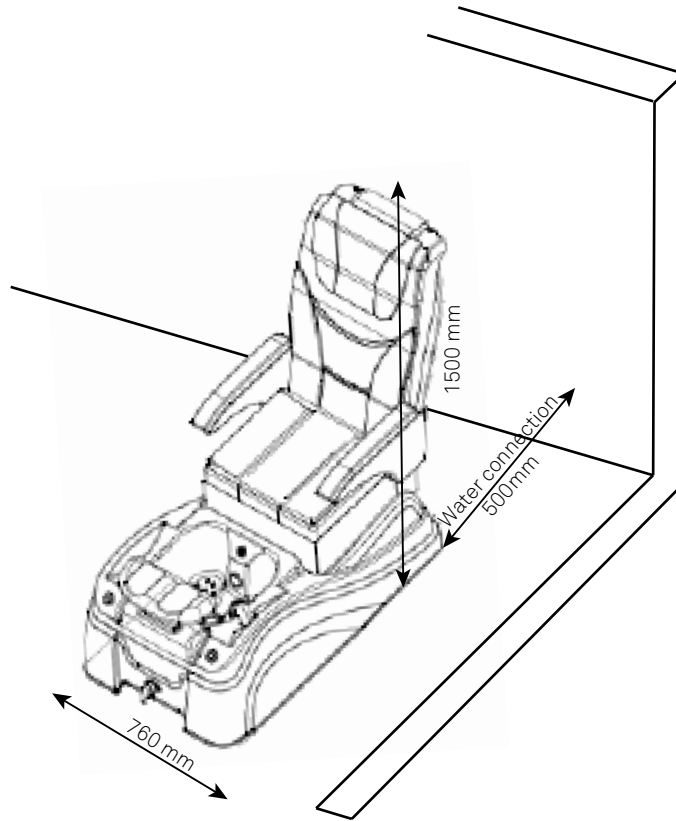
Major diameter (mm)	Minor diameter (mm)
45	37



# 4122B-CALN



Which are the main considerations to take into account?



## Assembly and Operation

Assembly and Operation

1. Manual drainage (twirling the nut of the following photo, maximum height for the drainage is: 1 meter), or using the pump pushing the button DRAIN.



# 4122B-CALN

2. Bubble massage, pushing the button "JET".



3. COLD and HOT water input (1/2 inches - diameter), and drainage output. It includes a large drainage pipe.



4. Water temperature is regulated by the metal lever, where it can be seen below.



WEELKO

Pol. Ind. La Valldan  
Camí de Garreta, 92  
08600 Berga  
Barcelona - Spain  
T. +34 93 824 90 20  
E. [info@weelko.com](mailto:info@weelko.com)